

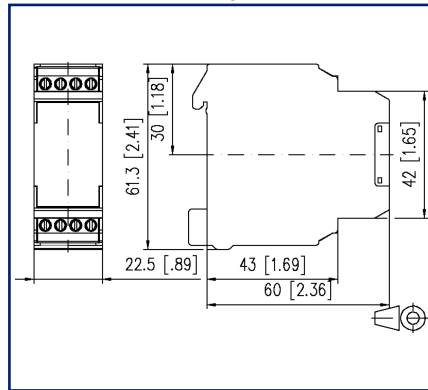
# Data sheet

MARK-E08 230 V AC, 24 V AC/DC

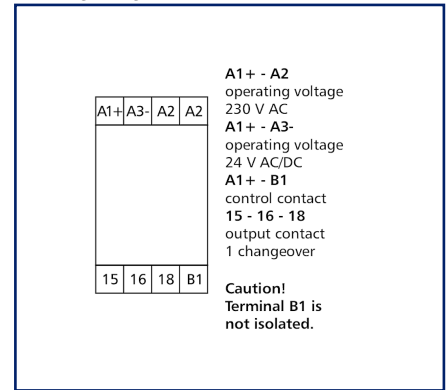
## Illustrations



Dimensional drawing



Wiring diagram



See enlarged drawings at the end of document

## Product specification

Multifunctional timer relay with incorporated coding switches to set functions. The time is set by means of a linear potentiometer on a relative scale.

- Connection with screw type terminal blocks
- Eight adjustable time ranges from 0.15 s to 10 h
- Five selectable functions
  1. On-delayed
  2. Off-delayed
  3. Making-pulse interval
  4. Flashing for pause start
  5. Flashing for pulse start

### Technical Data

Supply	
Operating voltage	230 V AC / 24 V AC/DC -10% ... +10%
Time Ranges	
Time range adjustable	0.15 s - 10 h
Outputs	
Contacts	1 changeover contact
Contact material	AgSnO <sub>2</sub>
Switching voltage (max.)	250 V AC
Continuous Current	6 A
Switching frequency	1200 switching cycles/h
Mechanical life	1x10 <sup>7</sup> switching cycles
Electrical life	1x10 <sup>5</sup> switching cycles
Recovery time	
Recovery time (control contact)	> 50 ms
Indicator	green and red LED
Insulation coil - contact set	
Nominal voltage of the power supply system	230 / 400 V AC
Overvoltage category	III   II
Degree of pollution	2   2
Rated test voltage	4 kV   2.5 kV
Type of insulation	basic insulation   reinforced insulation
Housing	
Dimensions	
Dimension (W x H x D)	22.5 mm x 61.3 mm x 60 mm
Dimension (W x H x D)	0.886 in. x 2.413 in. x 2.362 in.
Weight	70 g
Mounting style	Standard rail TH35
Mounting position	any
Apposition	without distance
Connection type	Screw type terminal blocks

### Technical Data

#### Terminal blocks

Wire cross section solid	0.34 mm <sup>2</sup> - 2.5 mm <sup>2</sup> / AWG 22-12
Wire cross section multi	0.25 mm <sup>2</sup> - 2.5 mm <sup>2</sup> / AWG 22-12
Wire cross section with wire ferrule	0.25 mm <sup>2</sup> - 2.5 mm <sup>2</sup> / AWG 22-12
Screw torque (max.)	0.5 Nm
Stripping length (min.)	8 mm

#### Material

Material - Housing	Polyamid 6.6 V0
Color	gray
Material - Terminal block	Polyamid 6.6 V0
Material - Covers	Polyamid 6.6 V0

#### Protection category according to IEC 60529

Protection category - housing (acc. to IEC 60529)	IP40
Protection category - terminal blocks (acc. to IEC 60529)	IP20

#### Climatic Data

##### Operating

Temperature - Operating °C	-10 °C - 55 °C
Temperature - Operating °F	14 °F - 131 °F
Relative humidity	max. 85 % non-condensing

##### Storage

Temperature - Storage °C	-25 °C - 70 °C
Temperature - Storage °F	-13 °F - 158 °F

#### Power loss

Power loss (typical)	1 W
----------------------	-----

#### Classifications

ETIM 7.0	EC001439
ETIM 8.0	EC001439
ETIM 9.0	EC001439

## Technical Data

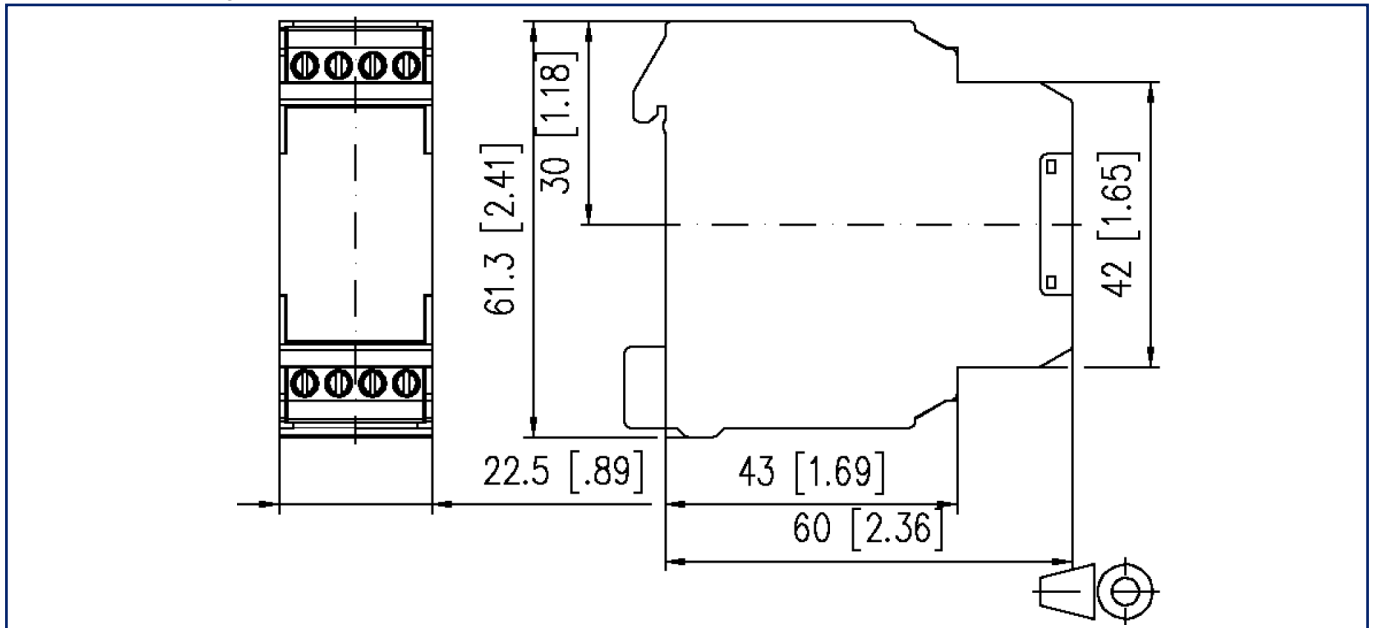
### Application note

This product is a standard product of METZ CONNECT. METZ CONNECT is not aware of the specific intended use of the goods by the Customer or any customers of the Customer. The Customer guarantees that it has fully and sufficiently tested the use of the goods and any product modifications, product changes or product enhancements with regard to the specific intended use in accordance with the state of the art or in any other way. At METZ CONNECT's request, the Customer shall submit and make available meaningful evidence (e.g. test and laboratory protocols, certifications, etc.).



## Illustrations

### Dimensional drawing



### Wiring diagram

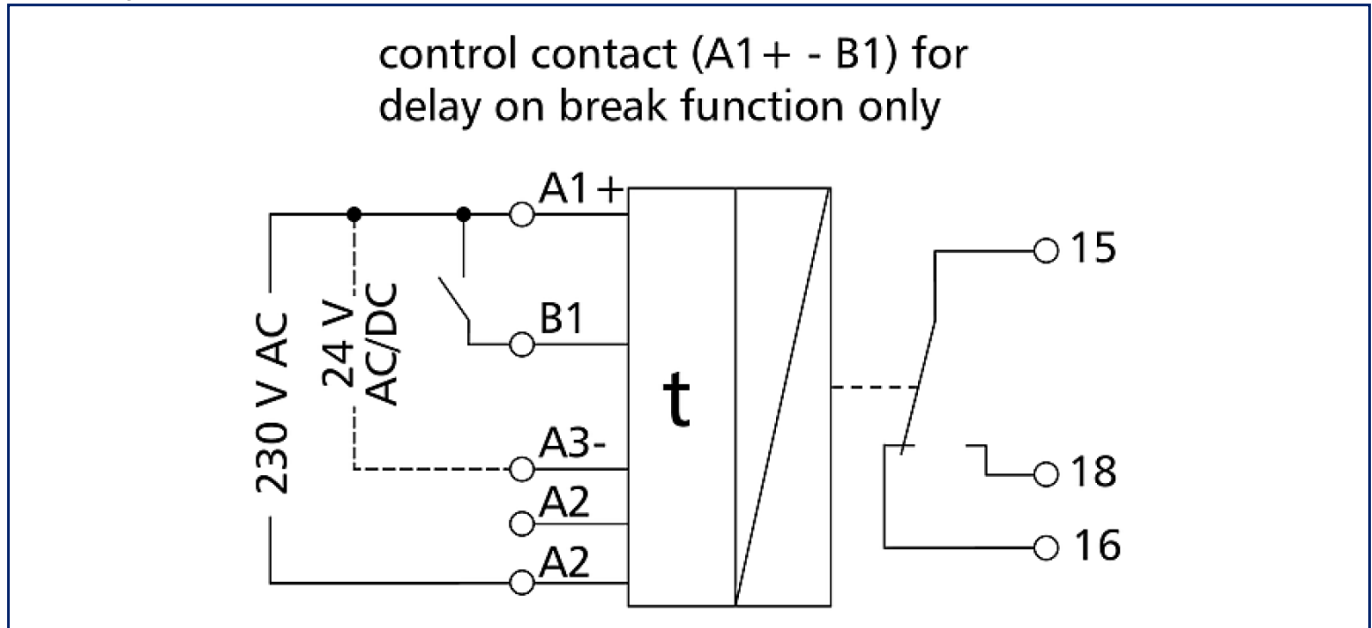
A1+	A3-	A2	A2
15	16	18	B1

**A1+ - A2**  
 operating voltage  
 230 V AC  
**A1+ - A3-**  
 operating voltage  
 24 V AC/DC  
**A1+ - B1**  
 control contact  
**15 - 16 - 18**  
 output contact  
 1 changeover

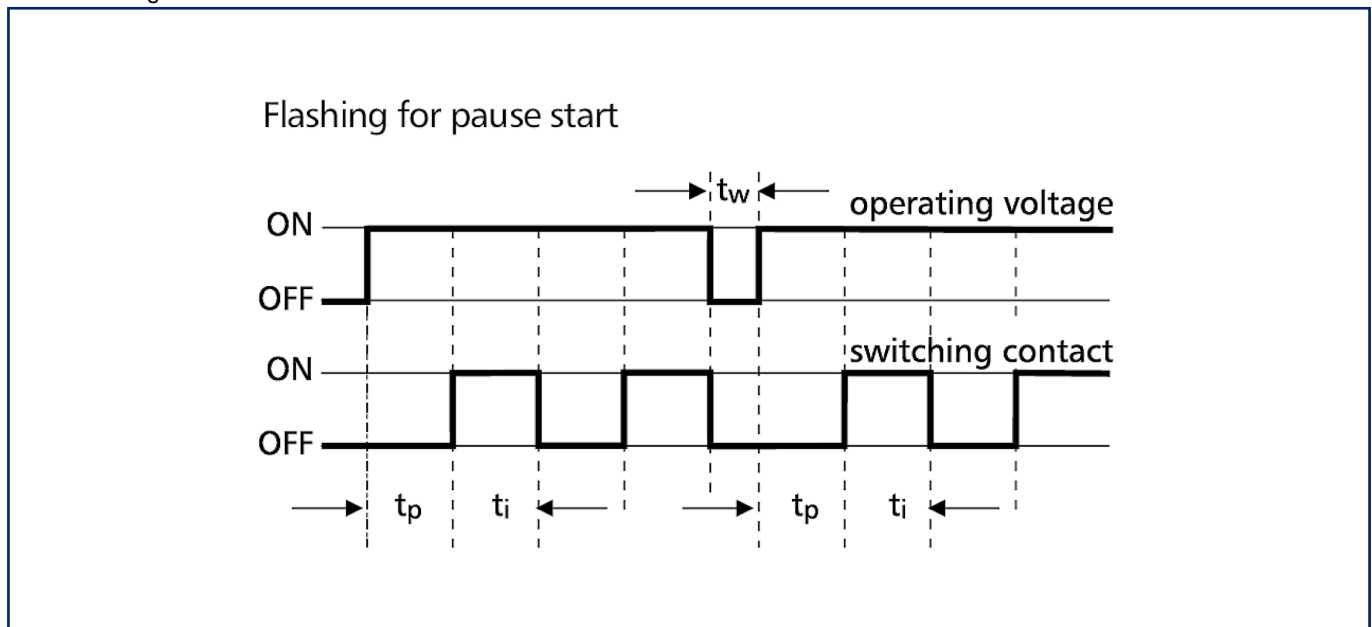
**Caution!**  
**Terminal B1 is not isolated.**

**Illustrations**

Circuit diagram

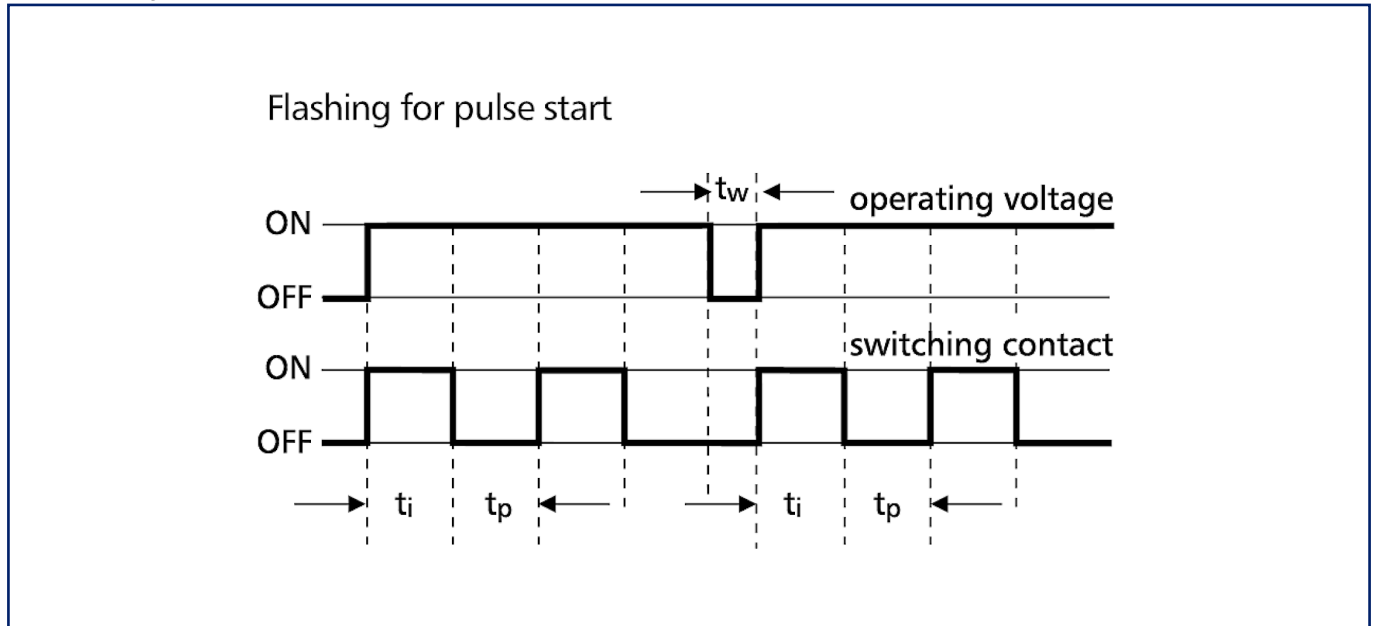


Function diagram

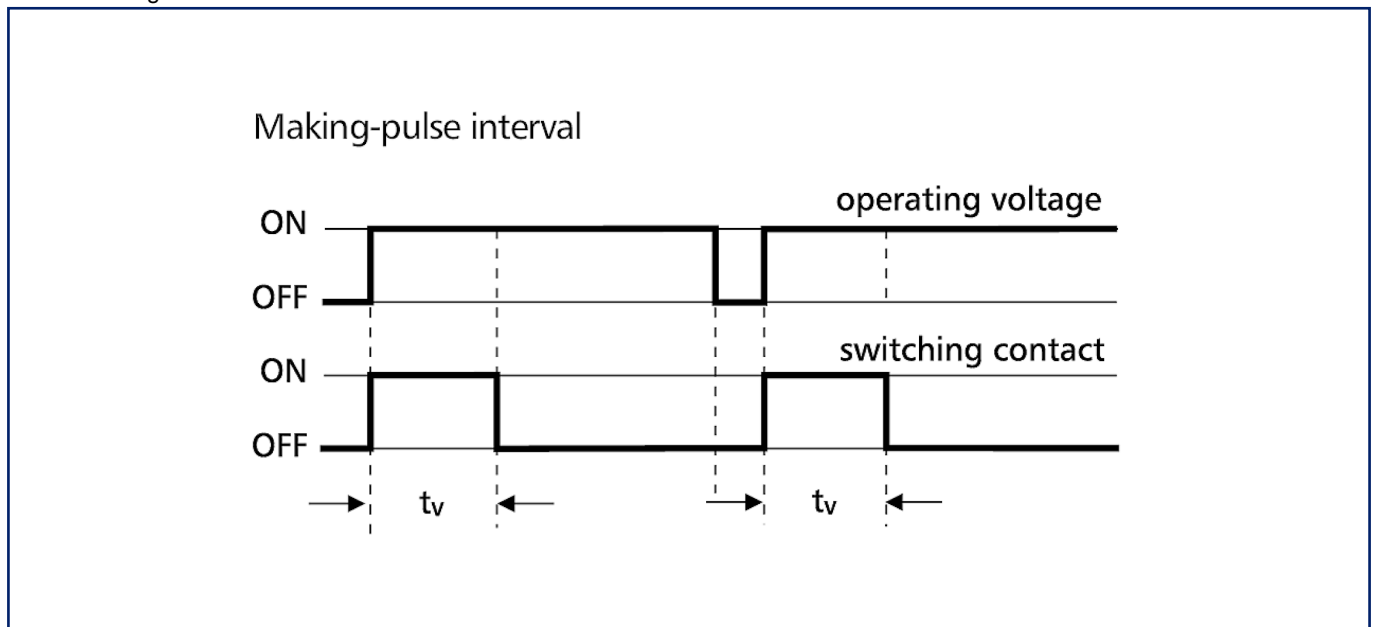


**Illustrations**

Function diagram



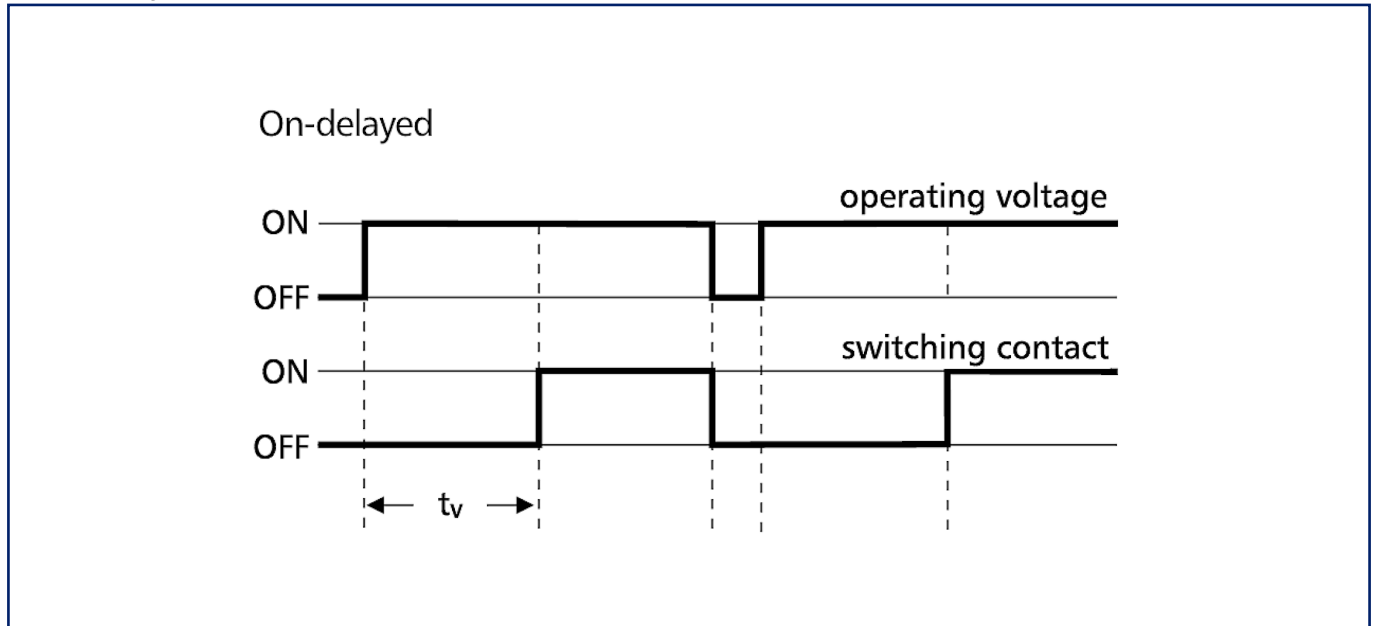
Function diagram



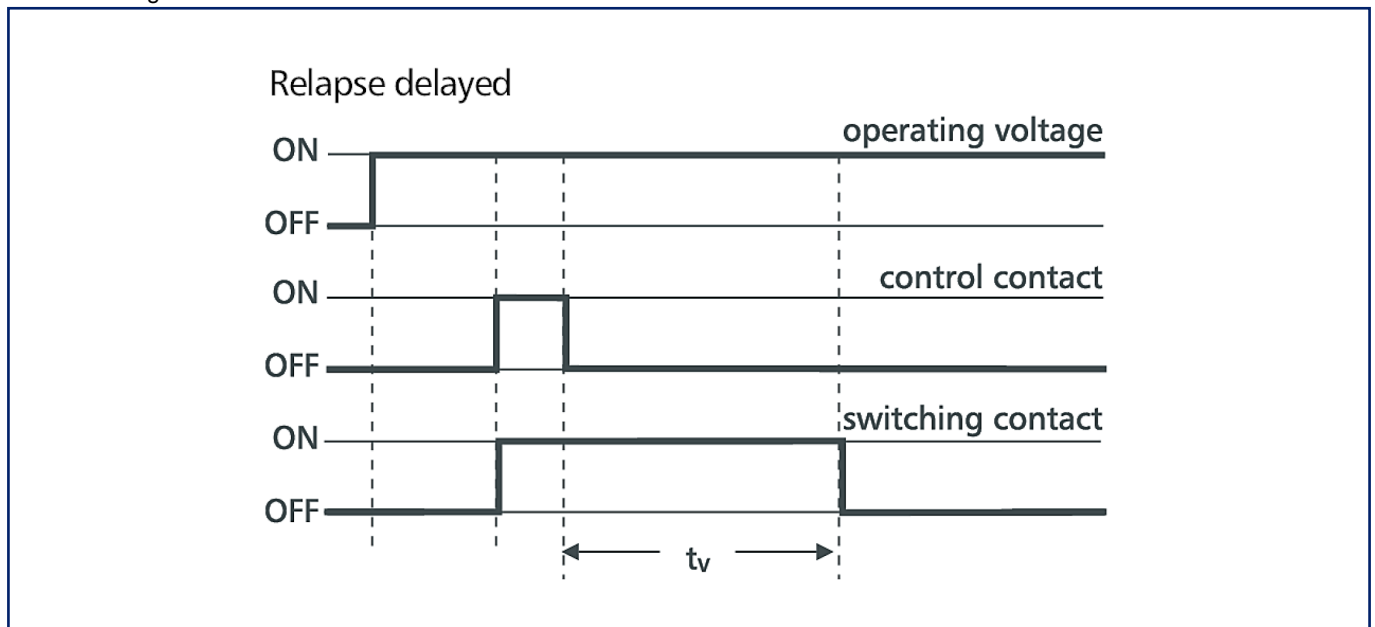
© 2024 METZ CONNECT - Technische Änderungen vorbehalten! Subject to modifications! Sous réserve de modifications techniques!

**Illustrations**

Function diagram



Function diagram



© 2024 METZ CONNECT - Technische Änderungen vorbehalten! Subject to modifications! Sous réserve de modifications techniques!