



**MATERIAL**

High-strength, reinforced phenolic based (PF) Duroplast, black colour, glossy finish.



**RING**

Matte anodised aluminium (ELESA original design).



**GRADUATION RING**

Matte anodised aluminium with black marks and numbers. Left-hand graduation (it increases as handwheel is turned clockwise) with 0, 10, 20... 90 numbering (100 dividing marks).



**STANDARD EXECUTION**

Black-oxide steel hub, H9 reamed hole with keyway.  
Fold-away handle IR.302 (see page 411) in Duroplast.



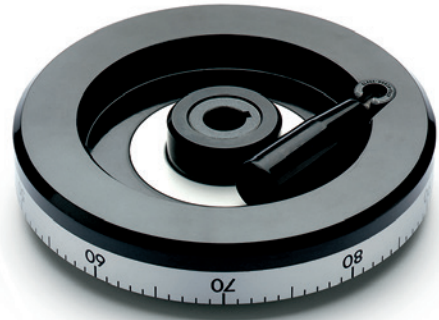
**HOLE FOR BLOCKING THE ADJUSTMENT**

Brass boss at a distance R from the centre: hole (f) can be threaded M6 and used to couple other blocking elements.

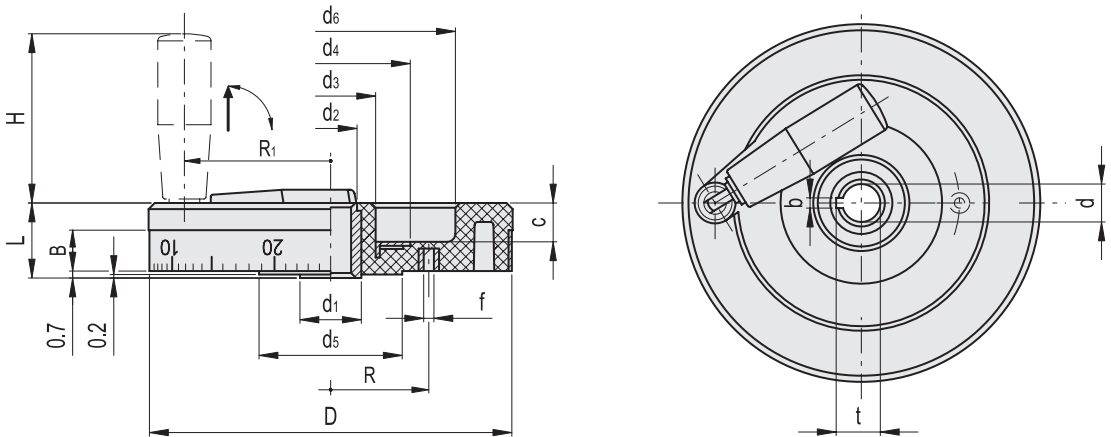


**ACCESSORIES ON REQUEST**

Axial retaining washer GN 184 (see page 677).



ELESA Original design



**Conversion Table**  
1 mm = 0.039 inch

D	
mm	inch
175	6.83
200	7.80

Handwheels and crank handles

METRIC

Code	Description	D	dH7	t+0.1	bP9	L	B	d1	d2	d3	d4	d5	d6	H	R	R1	c	f	Δ
71701	VDG.175+IR A-20+GS-100/100	175	20	22.8	6	34	20	30	28	44	70	70	122	80	48	71	19	5	930
71751	VDG.200+IR A-20+GS-100/100	200	20	22.8	6	34	20	36	34	55	90	70	135	80	55	75	19	5	1185