

- 1
- 2
- 3
- 4
- 5
- 6
- 7
- 8
- 9
- 10
- 11
- 12
- 13
- 14
- 15
- 16
- 17
- 18
- 19

**MATERIAL**

Phenolic based (PF) Duroplast, black colour, glossy finish.

**INDEX**

White line.

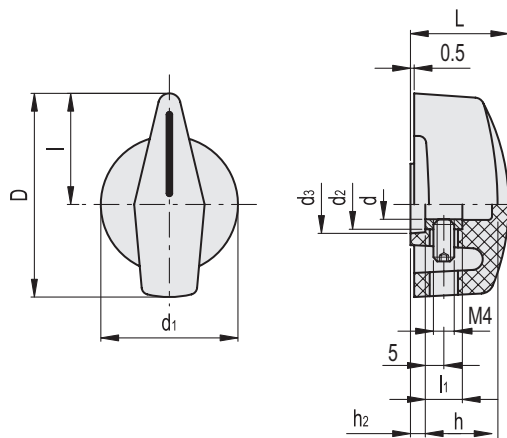
**STANDARD EXECUTION**

Brass boss, plain blind hole.

Secured via a cylindrical-headed transversal grub screw with hexagon

socket and stainless steel cup end.

Supplied.



**Conversion Table**  
1 mm = 0.039 inch

D	
mm	inch
45	1.76
55	2.15

METRIC

Code	Description	D	dD9	L	l	l1	d1	d2	d3	h	h2	⚖
40201	MI.204/45 B-6	45	6	25	24	10	35	10	15	15	7	20
40202	MI.204/45 B-8	45	8	25	24	10	35	12	12	18	3	21
40301	MI.204/55 B-6	55	6	26	30	10	37	12	12	18	3	29
40302	MI.204/55 B-8	55	8	26	30	10	37	15	15	18	3	30

Control elements