

VCR.192

Shortened lobe knobs

Duroplast, square hole



MATERIAL

Phenolic based (PF) Duroplast, black colour, glossy finish.

STANDARD EXECUTION

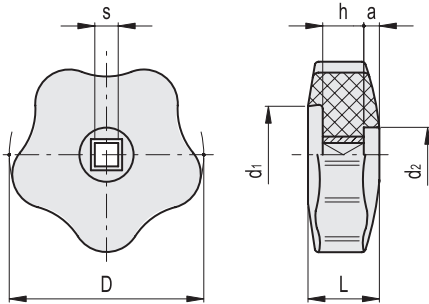
Square through hole with brass reinforcement.

FEATURES

Special front housing (d2) for hexagon blind nut with spherical cap UNI 5721-69.



ELESA Original design



Code	Description	D	sH9	L	d1	d2	h	a	Δ
69001	VCR.192/40-6x6	40	6	15	21	14	10	4	21
69101	VCR.192/50-6x6	50	6	18	24	14	10	5	33
69111	VCR.192/50-7x7	50	7	18	24	14	10	5	31
69201	VCR.192/60-6x6	60	6	20	29	16	10	4	52
69211	VCR.192/60-7x7	60	7	19.5	28.5	16	10	4.5	50
69221	VCR.192/60-8x8	60	8	20	29	16	10	4	48
69301	VCR.192/70-7x7	70	7	22	35	18	14	5	83
69311	VCR.192/70-8x8	70	8	22	35	18	14	5	78
69401	VCR.192/85-7x7	85	7	25	45	18	14	8	136
69411	VCR.192/85-8x8	85	8	25	45	18	14	8	127
69421	VCR.192/85-9x9	85	9	25	45	18	14	8	126
69501	VCR.192/100-8x8	100	8	28	57	18	14	6	168
69511	VCR.192/100-10x10	100	10	28	57	18	14	6	166

VZ.

Knurled knobs

Duroplast, square hole

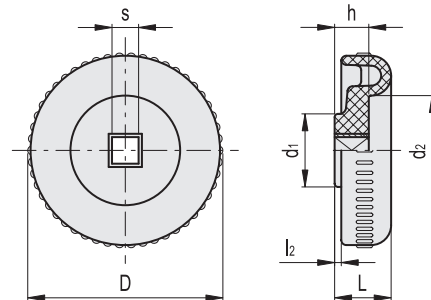


MATERIAL

Phenolic based (PF) Duroplast, black colour, glossy finish.

STANDARD EXECUTION

Square through hole with brass reinforcement.



Code	Description	D	sH9	L	d1	d2	l2	h	Δ
87001	VZ.42-5x5	44	5	10	20	31	1	7	13
87011	VZ.42-6x6	44	6	10	20	31	1	7	14
87111	VZ.56-7x7	58	7	17	22	23	2	9	27
87121	VZ.56-8x8	58	8	17	22	23	2	9	28

