

- 1
- 2
- 3
- 4
- 5
- 6
- 7
- 8
- 9
- 10
- 11
- 12
- 13
- 14
- 15
- 16
- 17
- 18
- 19

MATERIAL

Glass-fibre reinforced polyamide based (PA) technopolymer, black colour, matte finish.

STANDARD EXECUTIONS

- **GFL-B**: brass boss, threaded through hole.
- **GFL-p**: zinc-plated steel threaded stud.

FEATURES AND APPLICATIONS

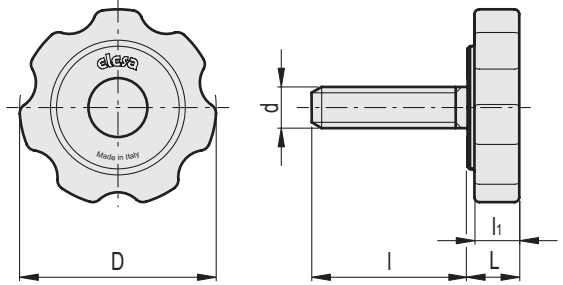
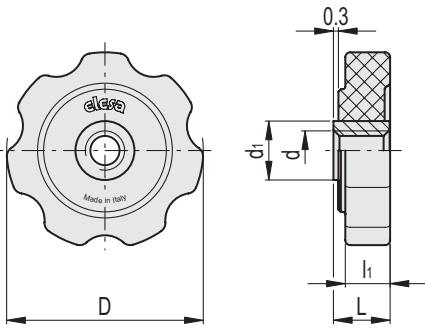
The ergonomic seven-lobe shape allows an effective grip to the operator when tightening.
Suitable for axial locking; it can be used as a nut.



ELESA Original design

GFL-B

GFL-p



Conversion Table	
1 mm = 0.039 inch	
D	
mm	inch
40	1.56
50	1.95

GFL-B

Code	Description	D	d6H	L	d1	l1	△△
168540	GFL.40-B M6	40	M6	10	12	8.5	15
168541	GFL.40-B M8	40	M8	10	12	8.5	17
168542	GFL.40-B M10	40	M10	10	13	8.5	16
168571	GFL.50-B M8	50	M8	10	12	8.5	22
168572	GFL.50-B M10	50	M10	10	13	8.5	24

GFL-p

Code	Description	D	d6g	L	I	l1	△△
168551	GFL.40 p-M8x20	40	M8	10	20	8.5	21
168553	GFL.40 p-M8x28	40	M8	10	28	8.5	23
168563	GFL.40 p-M10x28	40	M10	10	28	8.5	32
168565	GFL.40 p-M10x38	40	M10	10	38	8.5	38
168583	GFL.50 p-M8x20	50	M8	10	20	8.5	26
168585	GFL.50 p-M8x28	50	M8	10	28	8.5	32
168593	GFL.50 p-M10x28	50	M10	10	28	8.5	41
168597	GFL.50 p-M10x38	50	M10	10	38	8.5	47