



ANATECH ELECTRONICS INC
RF & Microwave Filters & Products

2409.5 MHz Bandpass Filter

Part Number: AE2409B11163



Electrical Specifications

Center Frequency: 2409.5 MHz
Bandwidth: 195 MHz
Passband: 2312-2507 MHz
Insertion Loss @ Center: 2.0 dB Max
Attenuation: >30 dB @ 2250 MHz
Power Handling: 3 W CW

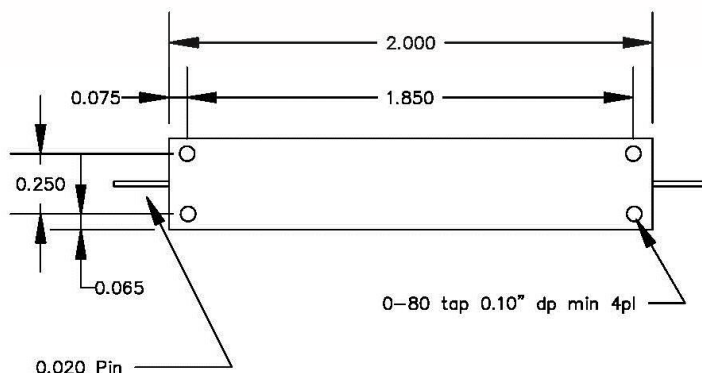
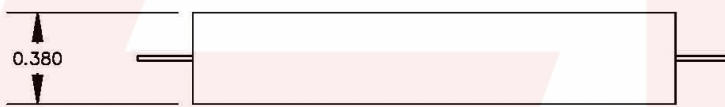
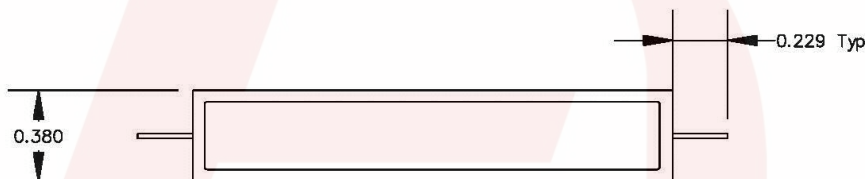
Mechanical

Connector Type: Drop-In
Dimensions: 2.0 x 0.38 x 0.38 in

Environmental

Operating Temperature: -30°C to +75°C
Storage Temperature: -40°C to +85°C

Outline Drawing:



DS-B11163-06282024-Rev0

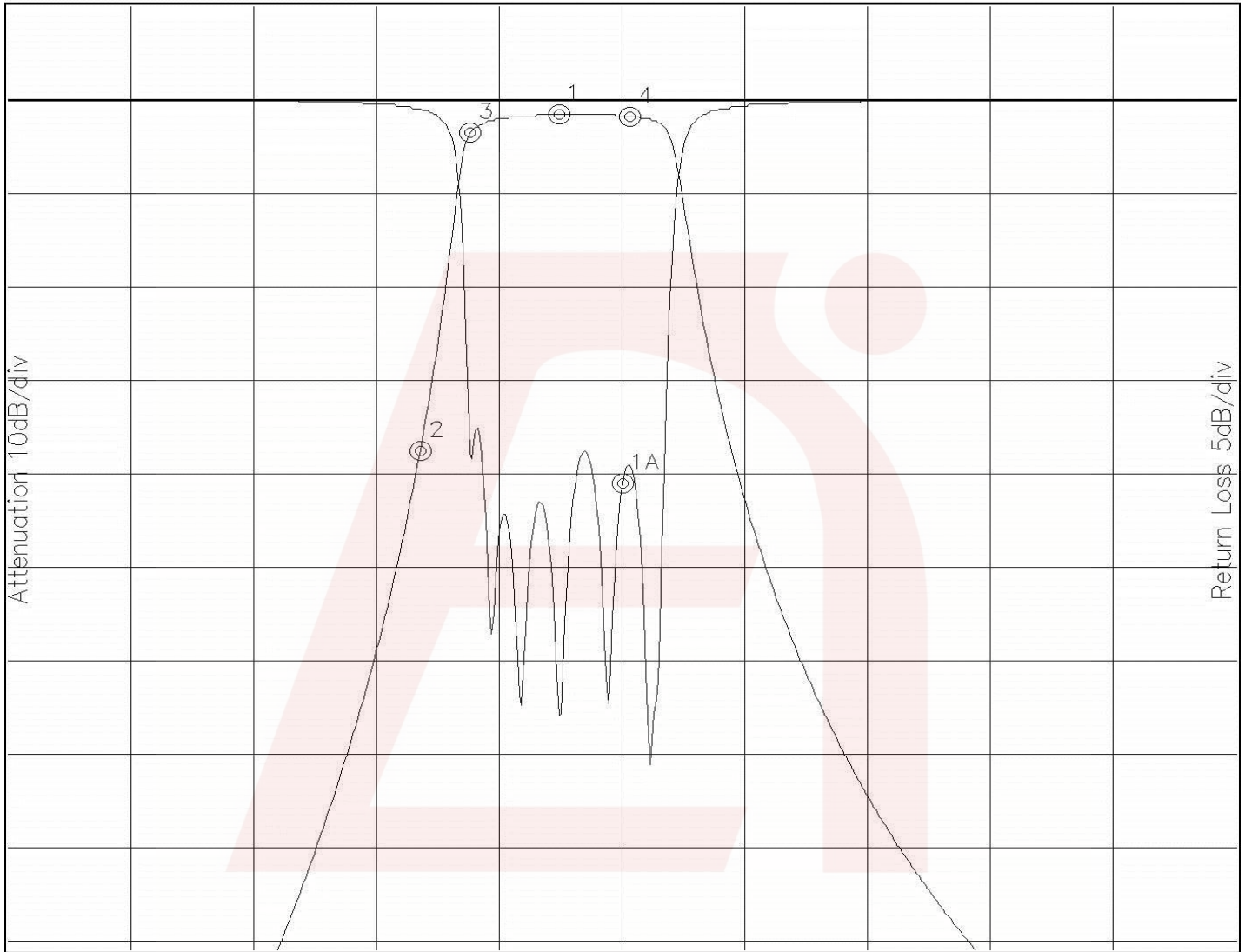


Response Plot:

A442.lad

OCT 18, 2014

Attenuation/Return Loss



Attenuation Start: 1.750GHz Stop: 3.250GHz

Return Loss Start: 1.750GHz Stop: 3.250GHz

- Marker 1 Freq 2.421GHz Atten -1.533dB
- Marker 2 Freq 2.252GHz Atten -37.356dB
- Marker 3 Freq 2.312GHz Atten -3.478dB
- Marker 4 Freq 2.508GHz Atten -1.765dB

Marker 1A Freq 2.499GHz Ret Loss -20.432dB