



ANATECH ELECTRONICS INC
RF & Microwave Filters & Products

1000 MHz LC Band Pass Filter

Part Number: AE1000B5460



Electrical Specifications

Center Frequency: 1000 MHz 3dB
Passband: 840-1192 MHz
Insertion Loss: 4.0dB Max.
Return Loss: 14.0dB Min.
Rejection Frequency: 40dB Min @ 710 MHz
Rejection Frequency: 40dB Min @ 1408 MHz
Impedance: 50 Ohms In/Out

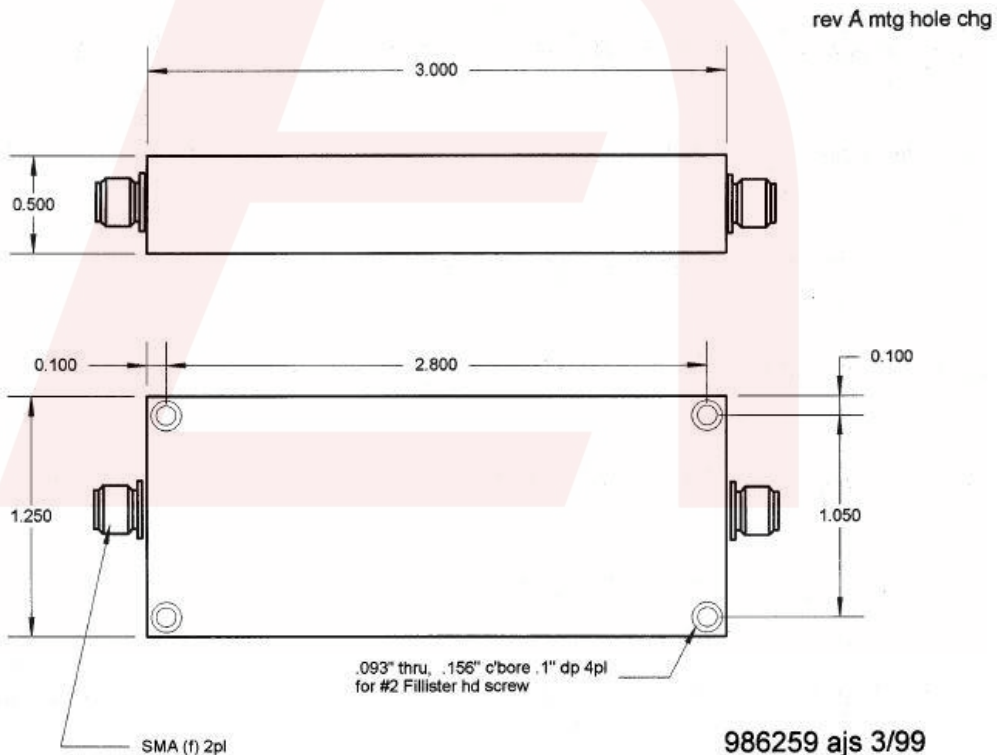
Mechanical

Mounting Method: Threaded Holes
Connector Type: SMA (F)
Dimensions: 3.0 X 1.25 x 0.5 in

Environmental

Operating Temperature: -25°C to +70°C
Storage Temperature: -40°C to +90°C
Shock: 10 G. 11ms
Vibration: 10 G. 5 to 2000Hz

Outline Drawing:



Tolerance: +/-0.01 inches [+/-0.3mm] Angles: +/-1 Deg.

DS-B5460-11182019-Rev0

*Tolerance as shown unless otherwise specified in the datasheet electrical specification tables above.

*When max dimensions are called out the above tolerances do not apply as long as it is under the max call out.

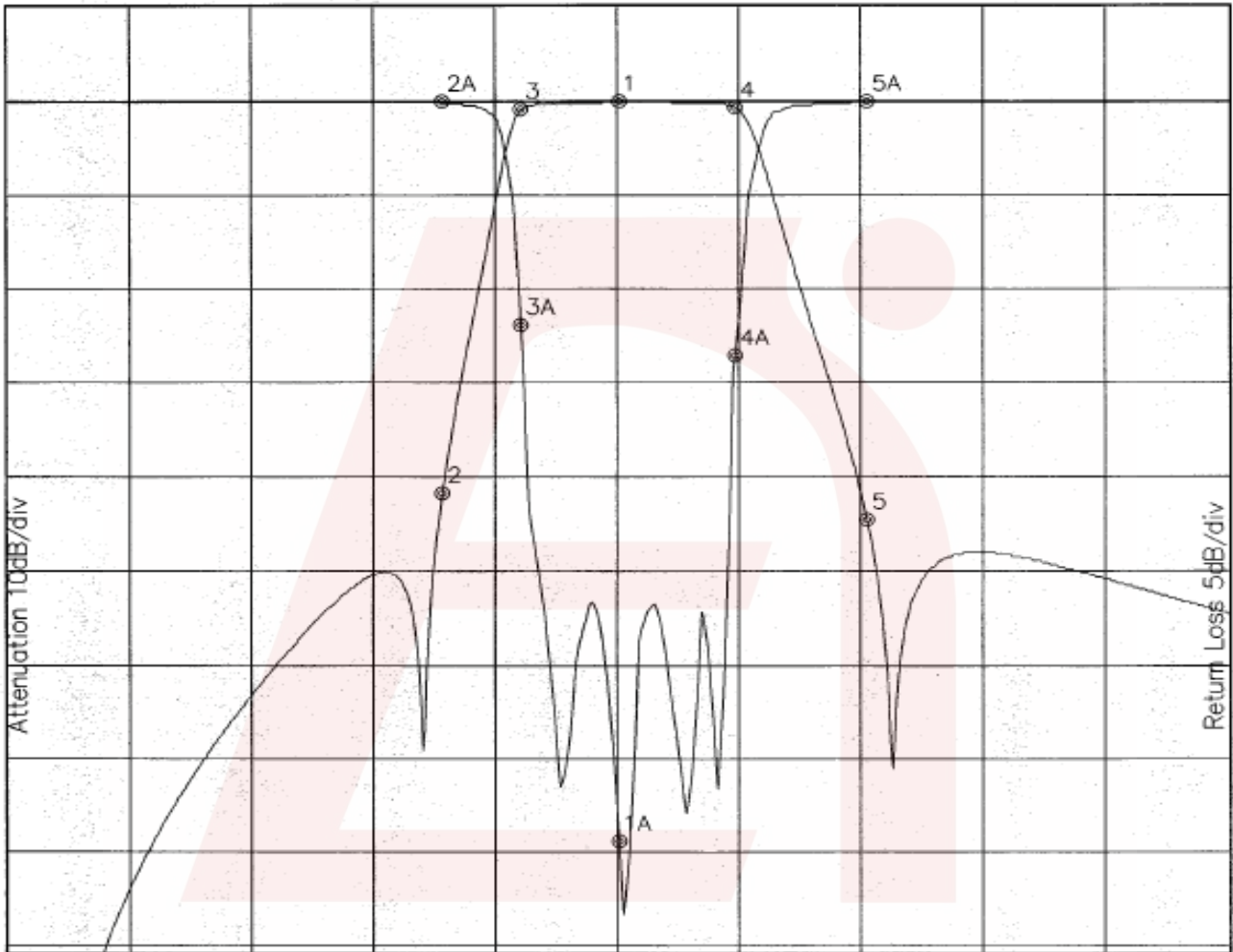
Email: sales@anatechelectronics.com

Web: www.anatechelectronics.com



Simulated Plot:

B5460A.lad OCT 4, 2000 Attenuation/Return Loss



Attenuation Start: 0.20GHz Stop: 2.0GHz

Return Loss Start: 0.20GHz Stop: 2.0GHz

Offset -0.2173dB

- Marker 1 Freq 1.002GHz Atten -0.094dB
- Marker 2 Freq 710.82MHz Atten -41.666dB
- Marker 3 Freq 840.06MHz Atten -0.971dB
- Marker 4 Freq 1.192GHz Atten -0.626dB
- Marker 5 Freq 1.409GHz Atten -44.470dB

- Marker 1A Freq 1.002GHz Ret Loss -39.451dB
- Marker 2A Freq 710.82MHz Ret Loss -0.042dB
- Marker 3A Freq 840.06MHz Ret Loss -11.966dB
- Marker 4A Freq 1.192GHz Ret Loss -13.634dB
- Marker 5A Freq 1.409GHz Ret Loss 0.012dB

Note: This is a simulation plot. Actual results may differ once the product is implemented.