



ANATECH ELECTRONICS INC
RF & Microwave Filters & Products

2580-2590 MHz Cavity Band Pass Filter

Part Number: AE2585B1368



Electrical Specifications

Center Frequency: 2585 MHz

Bandwidth: 10 MHz Min

Passband: 2580-2590 MHz

Insertion Loss: 3.0 dB Max

VSWR: 1.50:1 Max

Rejection: 30 dBc Min @ 2610 MHz

Impedance: 50 Ω

Power: 20 Watts CW

Mechanical

Connector Type: N-Type (F)

Dimensions: 60 x 58 x 28 mm

Environmental

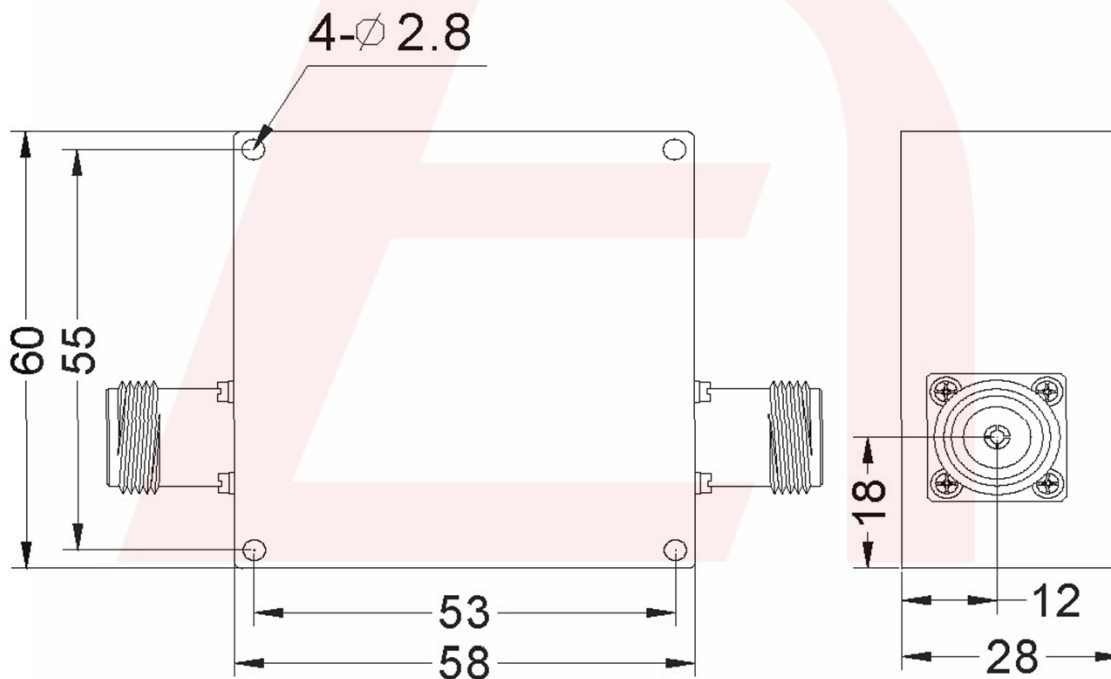
Operating Temperature: -40 to +70° C

Storage Temperature: -55 to +85° C

Shock: 20 G. 11ms

Vibration: 20 G. 5 to 200 Hz

Outline Drawing:



Note: Unit: mm, Unless otherwise specified, .Outline drawing +/-0.2mm; Hole +/-0.1mm

DS-B1368-03152018-Rev0



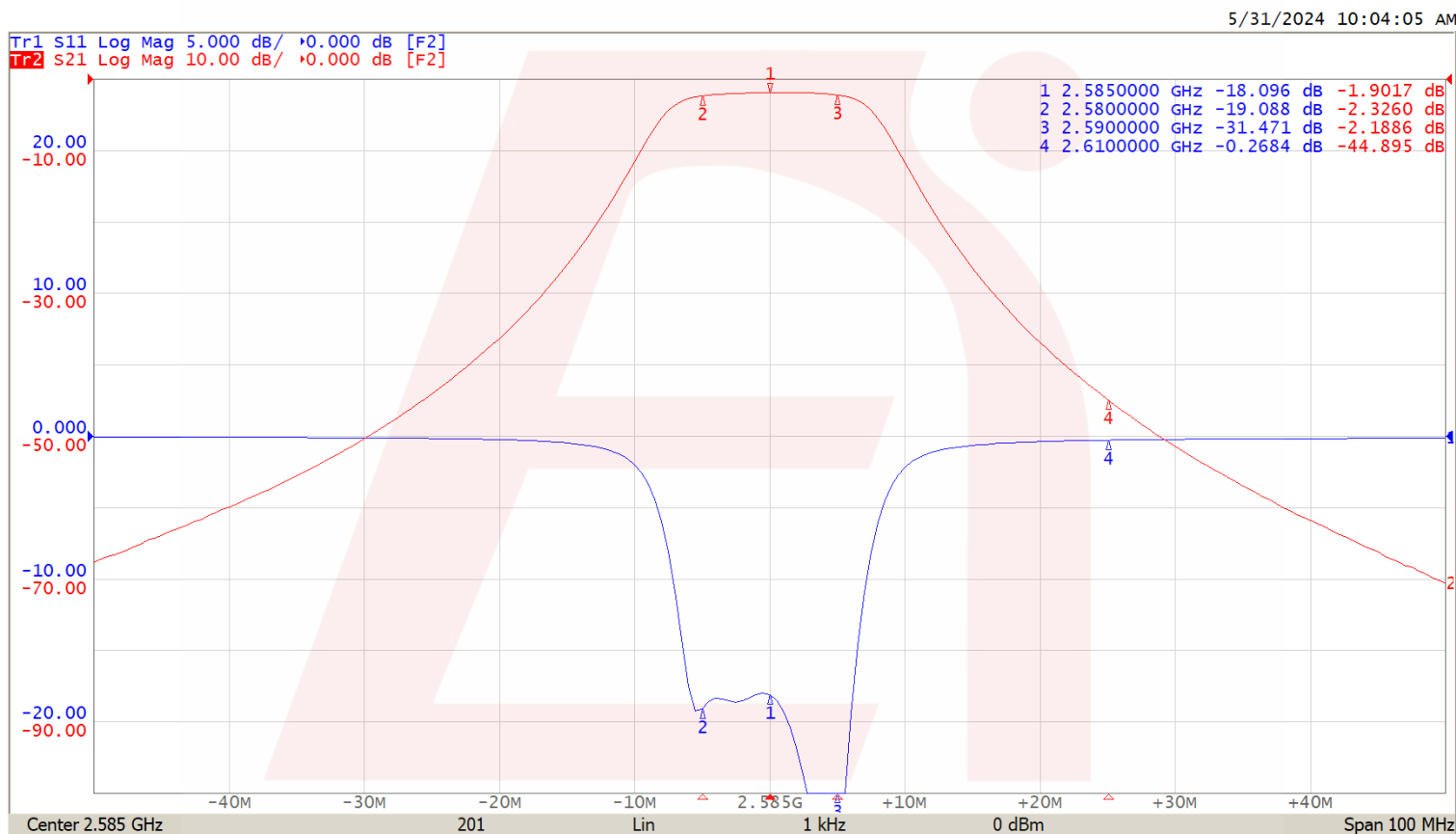
ANATECH ELECTRONICS INC
RF & Microwave Filters & Products

2580-2590 MHz Cavity Band Pass Filter

Part Number: AE2585B1368



Response Plot:



DS-B1368-03152018-Rev0