

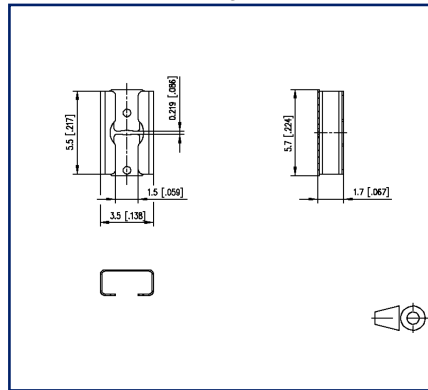
Data sheet

SM01W01VXNN04G1 13-inch Reel solder pad/solder side

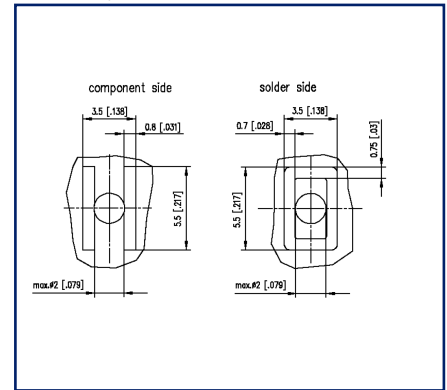
Illustrations



Dimensional drawing as an example



PCB-Layout



See enlarged drawings at the end of document

Product specification

- spring clamp terminal block, SMT solderable
- one-way contact
- direction of connection vertical 0°
- Tape & Reel packaging

Technical Data

General Data

min. number of poles	1
max. number of poles	1
Protection category	IP00
Insul. strip length	4 mm
Rated current	13 A

Terminal data

rat.wiring solid AWGmax	0.1 mm ² - 0.75 mm ² / AWG 26 - AWG 18
-------------------------	--

Material

contact material	CuBe
Contact surface	Ni + Sn

Climatic Data

upper limit temperature	150 °C
lower limit temperature	-40 °C

general

Tolerance	ISO 2768 -mH
Solderability	Acc. to IPC/JEDEC J-STD-020D-MSL 1

Sicherheitshinweis

Safety instructions	Components have to be fixed in a way to prevent any transmission of forces on to the contact. Components with more than one pin are recommended.
---------------------	--

Application note

This product is a standard product of METZ CONNECT. METZ CONNECT is not aware of the specific intended use of the goods by the Customer or any customers of the Customer. The Customer guarantees that it has fully and sufficiently tested the use of the goods and any product modifications, product changes or product enhancements with regard to the specific intended use in accordance with the state of the art or in any other way. At METZ CONNECT's request, the Customer shall submit and make available meaningful evidence (e.g. test and laboratory protocols, certifications, etc.).

U | Contact

Data sheet

Page 3/5

SM01W01VXNN04G1 13-inch Reel solder pad/solder side

P/N
ASM01W0164-4G16

2024/12/06
Version: V

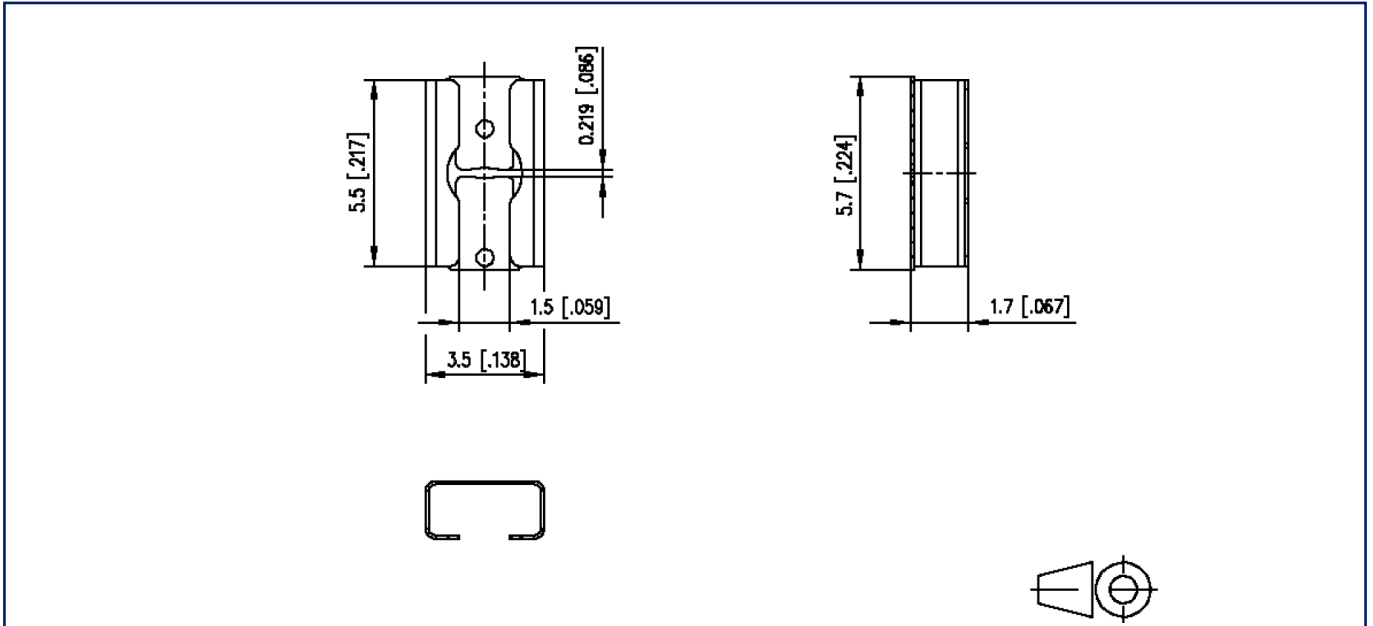
Counterpart

P/N	Designation
709023	Tape_ASM01Y_16mm K03547 Tape_ASM01Y_16mm

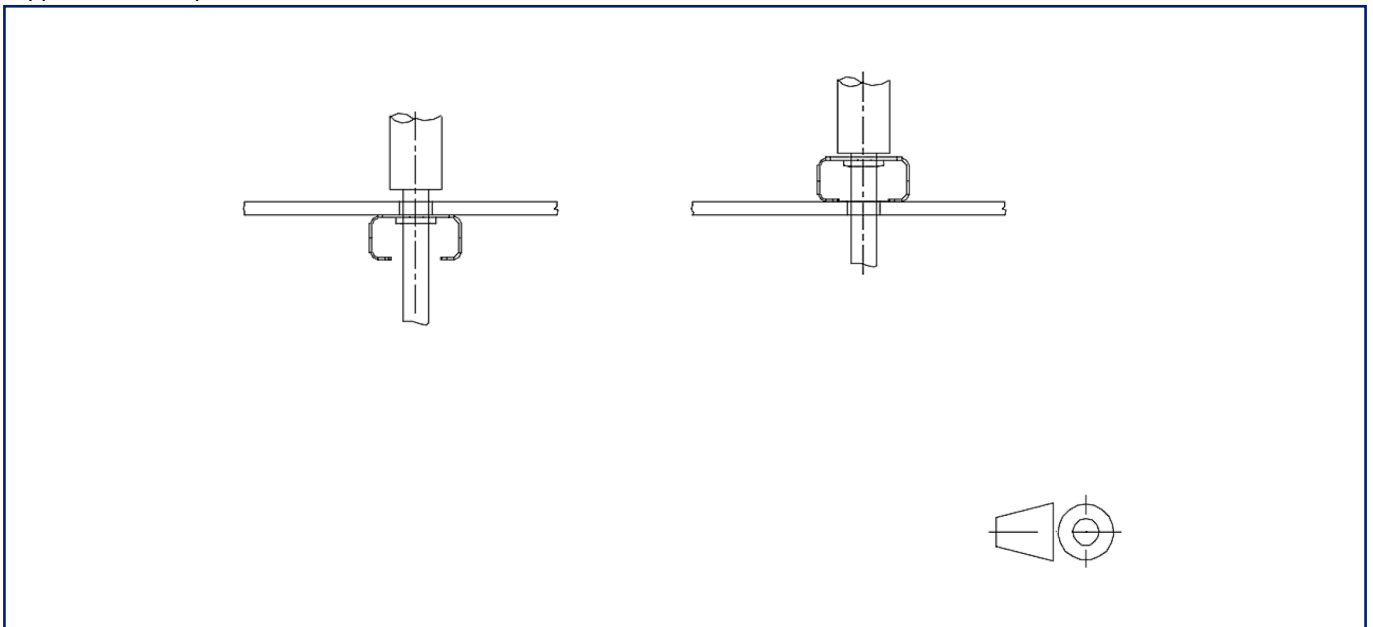


Illustrations

Dimensional drawing as an example



Application example



Illustrations

PCB-Layout

