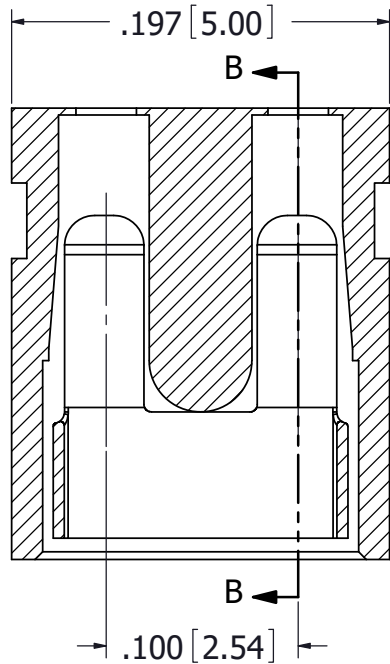
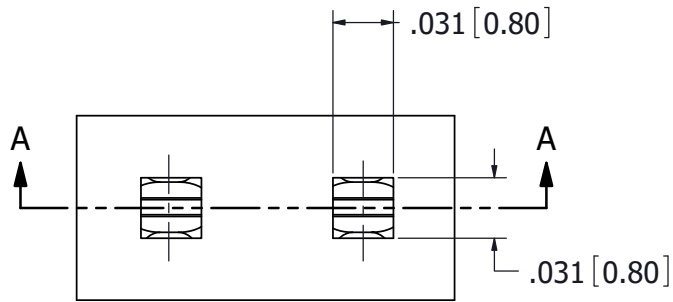
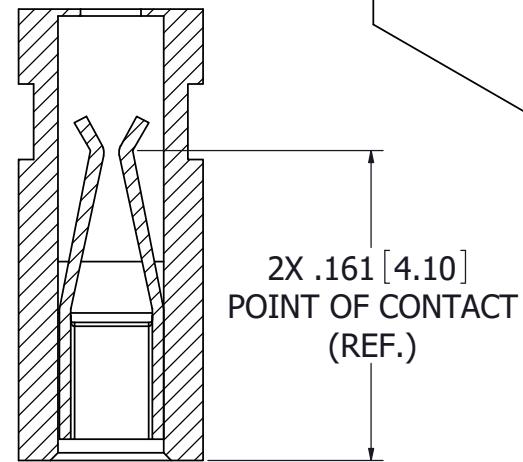
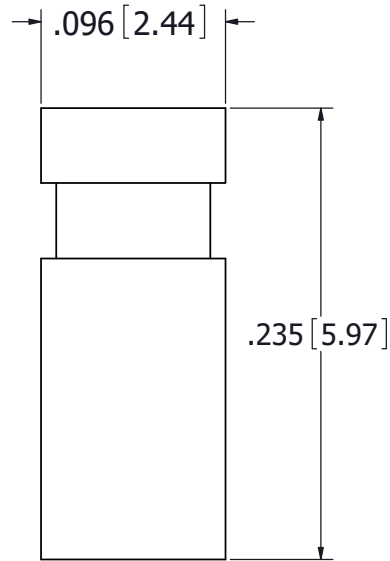


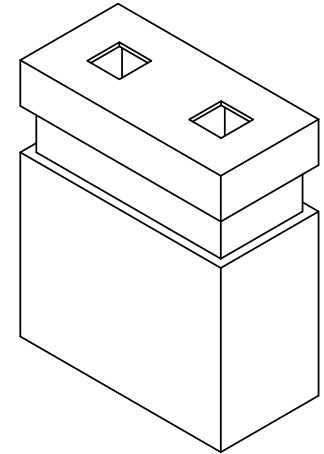
REVISIONS				
REV.	ECO. NO	DESCRIPTION	DATE	BY
A	2146	INITIAL RELEASE	07/16/2010	LH
B	4786	REMOVE DWV NOTE	6/26/2024	JH



SECTION A - A



SECTION B - B



NOTES:

1. INSULATOR MATERIAL: PBT.
2. CONTACT MATERIAL: PHOSPHOR BRONZE.
3. PLATING: GOLD FLASH OVERALL.
4. UL FLAMMABILITY RATING: 94V-0.
5. CURRENT RATING: 3 AMPS PER CONTACT.
6. CONTACT RESISTANCE: 30 MILLI OHMS MAX.
7. INSULATION RESISTANCE: 1000 MEGA OHMS.
8. OPERATING TEMPERATURE: -40 ° TO +85 °C
9. DOUBLE TUNING FORK TYPE CONTACT, ACCOMMODATES .025"[0.64mm] SQ PINS.
.100"[2.54mm] PITCH LOW-PROFILE MINI TYPE.



RoHS COMPLIANT

UNLESS OTHERWISE SPECIFIED: DIMENSIONS ARE IN INCHES [MM]		DRAWN	DATE	NAME	
			7/16/2010	LH	
TOLERANCES: ANGULAR: ± 1° DECIMALS .XX = ± .012 [30] .XXX = ± .008 [20] .XXXX = ± .004 [10]					THE INFORMATION HEREIN CONTAINS PROPRIETARY INFORMATION OF SULLINS ELECTRONICS AND IS NOT TO BE REPRODUCED, USED OR DISCLOSED TO OTHERS FOR ANY PURPOSE EXCEPT AS SPECIFICALLY AUTHORIZED IN WRITING BY AN OFFICER OF SULLINS ELECTRONICS.
TITLE MINI SHUNT, .100" CC, CLOSED TOP					PART NUMBER SPC02SVGN-RC
SIZE	CAGE CODE	DWG. NO.	REV		
C	54453	11512	B		
SCALE: 16:1				SHEET 1 OF 1	