

# DTM04-12PA-E005 ✓ ACTIVE

DEUTSCH | DEUTSCH DT, DEUTSCH DTM

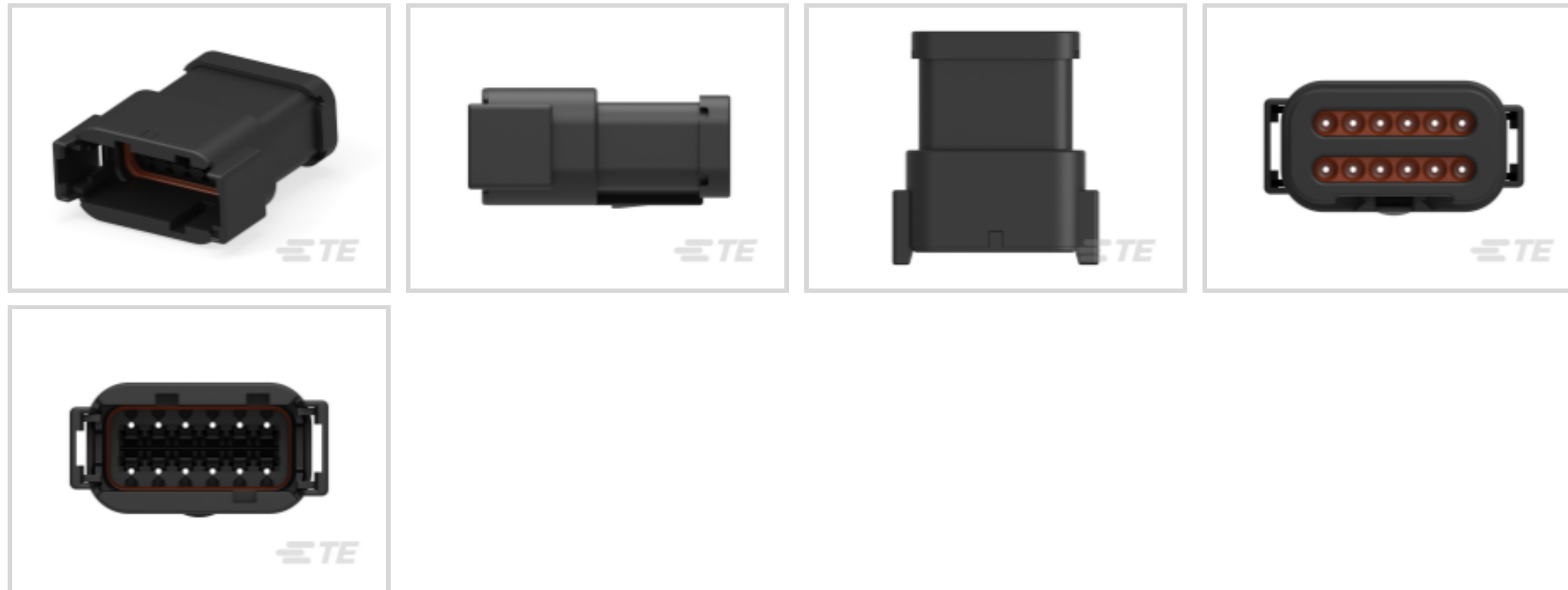
TE Internal #: DTM04-12PA-E005

12 Position Housing, Housing for Male Terminals, Wire-to-Wire, 4.19 mm [.165 in] Centerline, Sealable, Black, Wire & Cable, Power, Hybrid

[View on TE.com >](#)



Connectors > Automotive Connectors > Automotive Housings > DEUTSCH DTM Housings



Number of Positions: 12

Connector & Housing Type: **Housing for Male Terminals**

Mating Pin Diameter: 1.02 mm [.04 in]

Connector System: **Wire-to-Wire**

Centerline (Pitch): 4.19 mm [.165 in]

[All DEUTSCH DTM Housings \(113\)](#)

## Features

### Industry Standards

IP Rating	IP6K9K, IP68
Compatible With Agency/Standards Products	SAE J2030
UL Flammability Rating	20mm Flame Test per Standard UL-94

### Dimensions

Row-to-Row Spacing	7.11 mm[.28 in]
Compatible Insulation Diameter Range	1.35 – 3.05 mm[.053 – .12 in]
Product Width	20.22 mm[.796 in]
Product Length	45.21 mm[1.78 in]
Connector Height	40.01 mm[1.575 in]

### Packaging Features

Packaging Quantity	350
Packaging Method	Box



### Mechanical Attachment

Strain Relief	Add By Accessory
Terminal Position Assurance	Yes
Mating Alignment Type	Keyed
Mating Alignment	With
Connector Mounting Type	Cable Mount (Free-Hanging)

### Other

Serviceable	Yes
Connector Position Assurance Capable	No
EU RoHS Compliance	Compliant
EU ELV Compliance	Compliant

### Electrical Characteristics

Operating Voltage	250 VDC
Nominal Voltage Architecture	24 V, 48 V, 12 V

### Body Features

Cable Exit Angle	180°
Primary Product Color	Black
Connector & Keying Code	A

### Housing Features

Housing Material	PA GF
Centerline (Pitch)	4.19 mm [.165 in]

### Contact Features

Contact Size	Size 20
Contact Type	Pin
Mating Pin Diameter	1.02 mm [.04 in]
Contact Current Rating (Max)	7.5 A

### Product Type Features

Mixed & Hybrid Connector	No
Connector Shape	Rectangular
Connector & Housing Type	Housing for Male Terminals
Connector System	Wire-to-Wire
Sealable	Yes



Primary Locking Feature	Integrated in Housing
-------------------------	-----------------------

Connector & Contact Terminates To	Wire & Cable
-----------------------------------	--------------

### Configuration Features

Blank Cavity Position	0
-----------------------	---

Connector Modification	End Cap
------------------------	---------

Number of Positions	12
---------------------	----

Number of Rows	2
----------------	---

### Usage Conditions

Operating Temperature (Max)	125 °C[257 °F]
-----------------------------	----------------

Operating Temperature Range	-55 – 125 °C[-67 – 257 °F]
-----------------------------	----------------------------

### Operation/Application

Circuit Application	Power
---------------------	-------

## Product Compliance

[For compliance documentation, visit the product page on TE.com>](#)

EU RoHS Directive 2011/65/EU	Compliant
------------------------------	-----------

EU ELV Directive 2000/53/EC	Compliant
-----------------------------	-----------

China RoHS 2 Directive MIIT Order No 32, 2016	No Restricted Materials Above Threshold
---	---

EU REACH Regulation (EC) No. 1907/2006	<p>Current ECHA Candidate List: JUNE 2024 (241)  Candidate List Declared Against: JUNE 2024 (241)  SVHC &gt; Threshold:  Octamethylcyclotetrasiloxane (D4) (.5% in Component Part)  Dodecamethylcyclohexasiloxane (D6) (.5% in Component Part)  Decamethylcyclopentasiloxane (D5) (.5% in Component Part)</p>
--	---

**Article Safe Usage Statements:**  
Wash thoroughly after handling. Recycle if possible and dispose of the article by following all applicable governmental regulations relevant to your geographic location.

Halogen Content	Not Low Halogen - contains Br or Cl > 900 ppm.
-----------------	--

Solder Process Capability	Not reviewed for solder process capability
---------------------------	--

#### Product Compliance Disclaimer

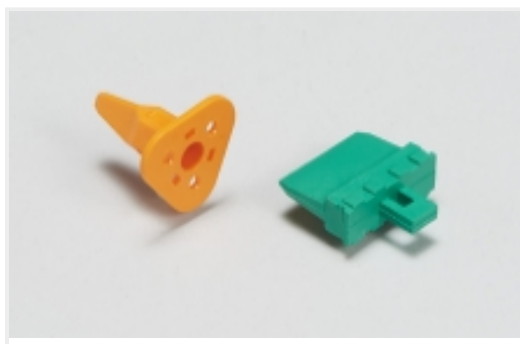
This information is provided based on reasonable inquiry of our suppliers and represents our current actual knowledge based on the information they provided. This information is subject to change. The part numbers that TE has identified as EU RoHS compliant have a maximum concentration of 0.1% by weight in homogenous materials for lead, hexavalent

chromium, mercury, PBB, PBDE, DBP, BBP, DEHP, DIBP, and 0.01% for cadmium, or qualify for an exemption to these limits as defined in the Annexes of Directive 2011/65/EU (RoHS2). Finished electrical and electronic equipment products will be CE marked as required by Directive 2011/65/EU. Components may not be CE marked. Additionally, the part numbers that TE has identified as EU ELV compliant have a maximum concentration of 0.1% by weight in homogenous materials for lead, hexavalent chromium, and mercury, and 0.01% for cadmium, or qualify for an exemption to these limits as defined in the Annexes of Directive 2000/53/EC (ELV). Regarding the REACH Regulation, the information TE provides on SVHC in articles for this part number is based on the latest European Chemicals Agency (ECHA) 'Guidance on requirements for substances in articles' posted at this URL: <https://echa.europa.eu/guidance-documents/guidance-on-reach>

## Compatible Parts



Also in the Series | **DEUTSCH DT**



Automotive Connector Locks & Position Assurance(26)



Automotive Headers(38)



Automotive Housings(109)



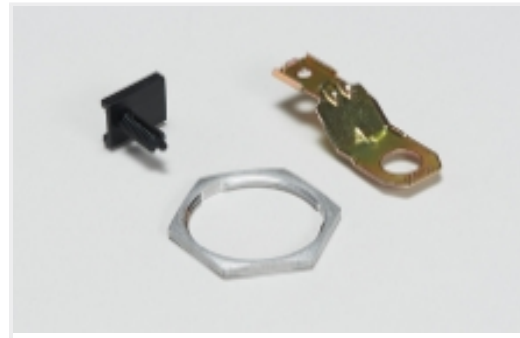
Connector Caps & Covers(1)



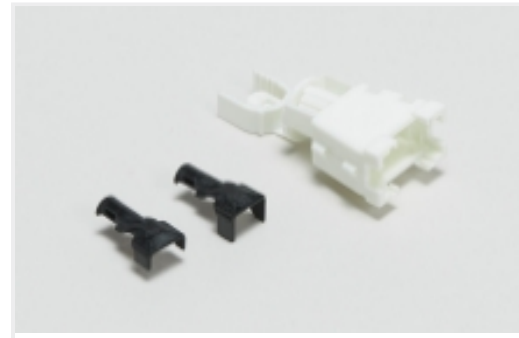
Connector Strain Relief(28)



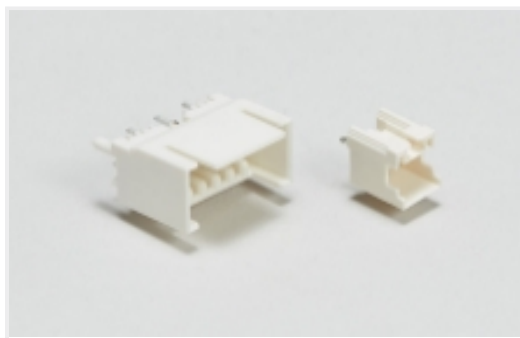
Insertion & Extraction Tools(2)



Other Automotive Connector Accessories(7)

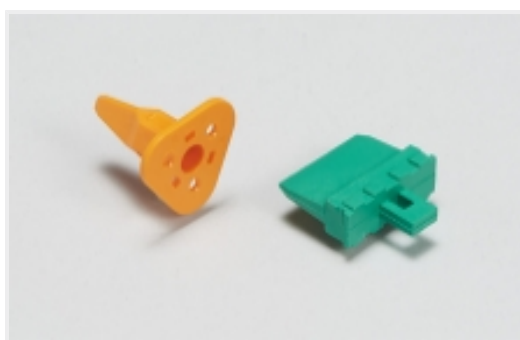


Rectangular Backshells & Clamps(1)



Wire-to-Board Headers & Receptacles (38)

Also in the Series | **DEUTSCH DTM**



Automotive Connector Locks & Position Assurance(26)



Automotive Headers(38)



Automotive Housings(109)



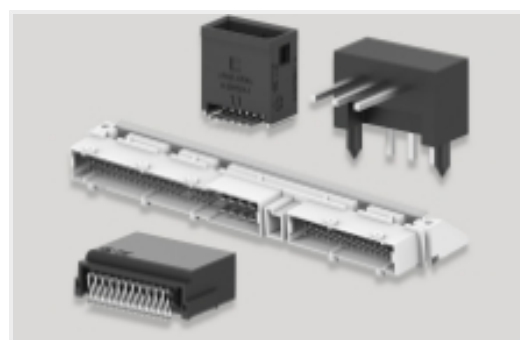
Connector Strain Relief(28)



Insertion & Extraction Tools(2)



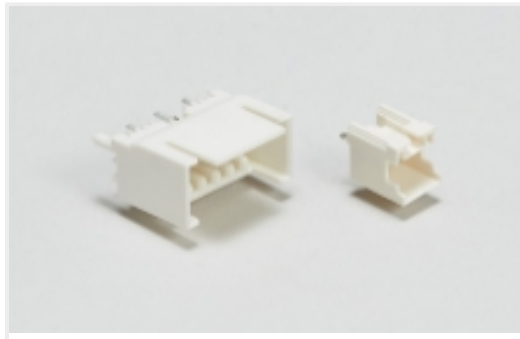
Other Automotive Connector Accessories(7)



PCB Headers & Receptacles(38)



Rectangular Backshells & Clamps(1)



Wire-to-Board Headers & Receptacles  
(38)

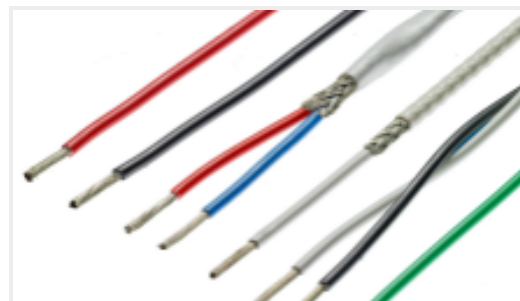
### Customers Also Bought



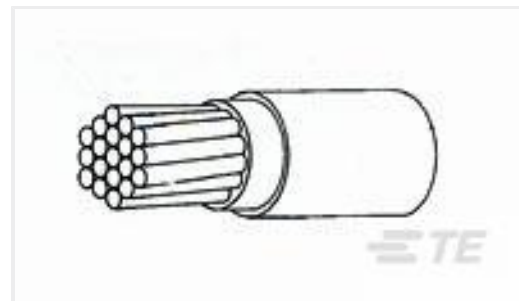
TE Part #5053094268  
RNF-100-1/4-BK-SP



TE Part #NB33842001  
TAK-SLEEVE-1/8-X-STK



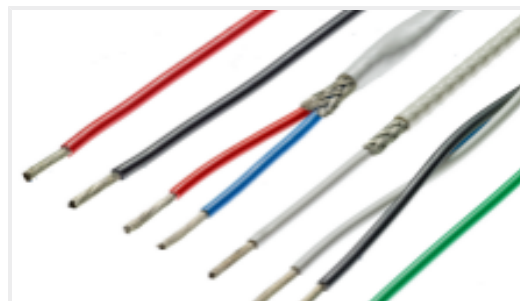
TE Part #283145-000  
44A0111-16-2L



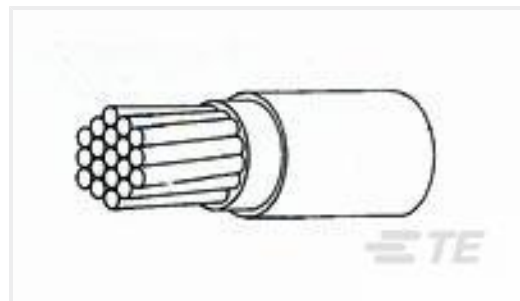
TE Part #282243-000  
44A0111-14-8



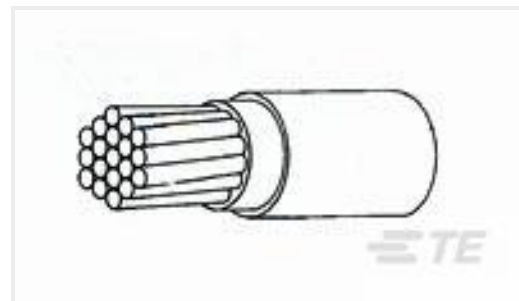
TE Part #2035360-1  
1X4 GENERATION Y ASSY KEY A



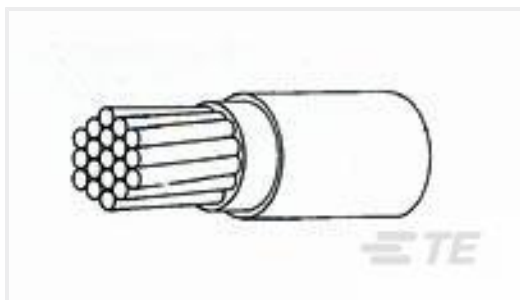
TE Part #282155-008  
44A0111-14-4



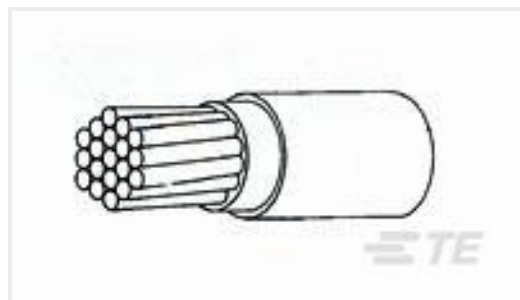
TE Part #282241-000  
44A0111-14-6



TE Part #282237-000  
44A0111-14-1



TE Part #282240-000  
44A0111-14-5



TE Part #2822633004  
44A0111-12-2

### Documents

#### Product Drawings

REC, 12P, BLK, N, CAP, A

English

#### CAD Files

3D PDF

3D

#### Customer View Model

ENG\_CVM\_CVM\_DTM04-12PA-E005\_A.2d\_dxf.zip



English

**Customer View Model**

[ENG\\_CVM\\_CVM\\_DTM04-12PA-E005\\_A.3d\\_igs.zip](#)

English

**Customer View Model**

[ENG\\_CVM\\_CVM\\_DTM04-12PA-E005\\_A.3d\\_stp.zip](#)

English

By downloading the CAD file I accept and agree to the [Terms and Conditions](#) of use.

---

**Datasheets & Catalog Pages**

[ICT Terminals and Connectors Catalogue](#)

English

[CONNECTOR SELECTOR](#)

English

---

**Product Specifications**

[Application Specification](#)

English

---

**Agency Approvals**

[UL Report](#)

English