

YHVP1100-1P-90-B-0 ✓ ACTIVE

HIVONEX

TE Internal #: YHVP1100-1P-90-B-0

1 Position Housing, Plug, Cable-to-Board / Cable-to-Cable, Sealable, Orange, Wire & Cable, Power, Cable Mount (Free-Hanging)

[View on TE.com >](#)



Connectors > Automotive Connectors > Automotive Housings



Number of Positions: 1

Connector & Housing Type: **Plug**

Connector System: **Cable-to-Cable, Cable-to-Board**

Sealable: **Yes**

Primary Locking Feature: **Integrated in Housing**

Features

Industry Standards

IP Rating	IP6K9K, IP68
Compatible With Agency/Standards Products	USCAR-2

Electrical Characteristics

Operating Voltage	1000 VDC
-------------------	----------

Housing Features

Housing Material	PA 66 GF30
------------------	------------

Contact Features

Contact Type	Pin
--------------	-----

Dimensions

Product Width	49.9 mm[1.96 in]
Product Length	114.8 mm[4.52 in]
Connector Height	53.3 mm[2.1 in]

Packaging Features

Packaging Quantity	1
Packaging Method	Package

Mechanical Attachment

Strain Relief	With
---------------	------



Terminal Position Assurance	Yes
Mating Alignment Type	Keyed
Mating Alignment	With
Connector Mounting Type	Cable Mount (Free-Hanging)

Other

Serviceable	No
Connector Position Assurance Capable	No
EU RoHS Compliance	Compliant
EU ELV Compliance	Compliant

Body Features

Cable Exit Angle	90°
Primary Product Color	Orange
Connector & Keying Code	B

Product Type Features

Mixed & Hybrid Connector	Yes
Connector Shape	Rectangular
Connector & Housing Type	Plug
Connector System	Cable-to-Cable, Cable-to-Board
Sealable	Yes
Primary Locking Feature	Integrated in Housing
Connector & Contact Terminates To	Wire & Cable

Configuration Features

Number of Positions	1
Number of Rows	1

Usage Conditions

Operating Temperature (Max)	125 °C[257 °F]
Operating Temperature Range	-40 – 125 °C[-40 – 257 °F]

Operation/Application

Circuit Application	Power
---------------------	-------

Product Compliance

[For compliance documentation, visit the product page on TE.com>](#)



EU RoHS Directive 2011/65/EU	Compliant
EU ELV Directive 2000/53/EC	Compliant
China RoHS 2 Directive MIIT Order No 32, 2016	No Restricted Materials Above Threshold
EU REACH Regulation (EC) No. 1907/2006	Current ECHA Candidate List: JUNE 2024 (241) Candidate List Declared Against: JUNE 2024 (241) Does not contain REACH SVHC
Halogen Content	Not Yet Reviewed for halogen content
Solder Process Capability	Not reviewed for solder process capability

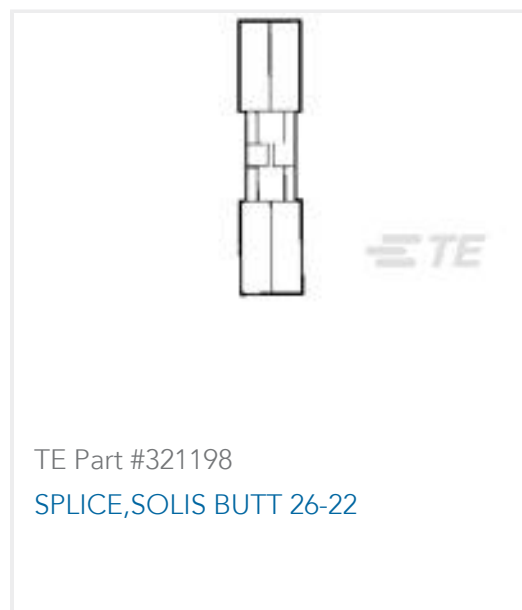
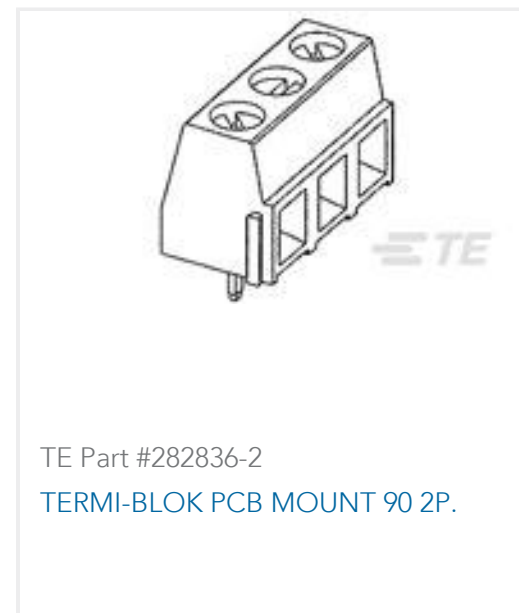
Product Compliance Disclaimer

This information is provided based on reasonable inquiry of our suppliers and represents our current actual knowledge based on the information they provided. This information is subject to change. The part numbers that TE has identified as EU RoHS compliant have a maximum concentration of 0.1% by weight in homogenous materials for lead, hexavalent chromium, mercury, PBB, PBDE, DBP, BBP, DEHP, DIBP, and 0.01% for cadmium, or qualify for an exemption to these limits as defined in the Annexes of Directive 2011/65/EU (RoHS2). Finished electrical and electronic equipment products will be CE marked as required by Directive 2011/65/EU. Components may not be CE marked. Additionally, the part numbers that TE has identified as EU ELV compliant have a maximum concentration of 0.1% by weight in homogenous materials for lead, hexavalent chromium, and mercury, and 0.01% for cadmium, or qualify for an exemption to these limits as defined in the Annexes of Directive 2000/53/EC (ELV). Regarding the REACH Regulations, TE's information on SVHC in articles for this part number is still based on the European Chemical Agency (ECHA) 'Guidance on requirements for substances in articles' (Version: 2, April 2011), applying the 0.1% weight on weight concentration threshold at the finished product level. TE is aware of the European Court of Justice ruling of September 10th, 2015 also known as O5A (Once An Article Always An Article) stating that, in case of 'complex object', the threshold for a SVHC must be applied to both the product as a whole and simultaneously to each of the articles forming part of its composition. TE has evaluated this ruling based on the new ECHA "Guidance on requirements for substances in articles" (June 2017, version 4.0) and will be updating its statements accordingly.

Compatible Parts



Customers Also Bought



Documents

Product Drawings

[HVP1100-1phi XE,90,Key B](#)

English

CAD Files

[3D PDF](#)

3D

Customer View Model

[ENG_CVM_CVM_YHVP1100-1P-90-B-0_A.2d_dxf.zip](#)

English

Customer View Model

[ENG_CVM_CVM_YHVP1100-1P-90-B-0_A.3d_igs.zip](#)

English

Customer View Model

[ENG_CVM_CVM_YHVP1100-1P-90-B-0_A.3d_stp.zip](#)

English

By downloading the CAD file I accept and agree to the [Terms and Conditions](#) of use.

Datasheets & Catalog Pages



HEMS Sample Kit YHVP1100-1P-90-B-0

English

Product Specifications

Application Specification

English