

2103191-2 ✓ ACTIVE

HVA 280

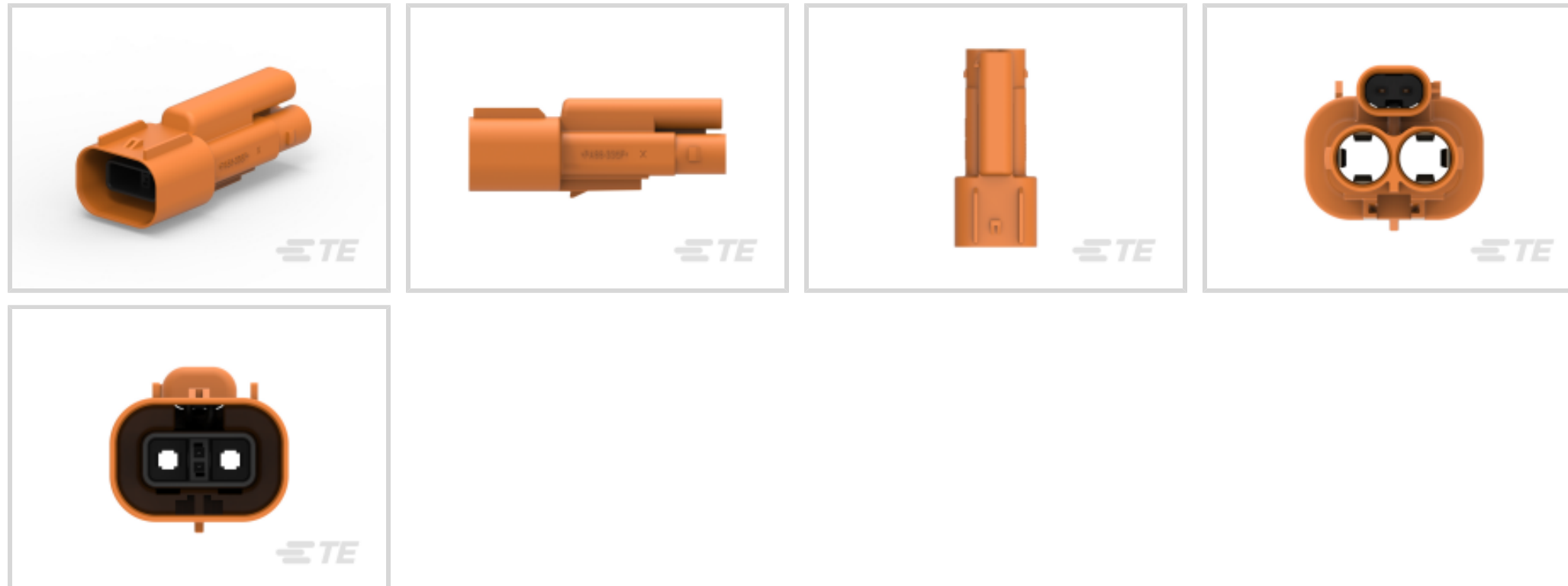
TE Internal #: 2103191-2

2 Position Housing, Housing for Male Terminals, Wire-to-Board / Wire-to-Device, 10.4 mm [.409 in] Centerline, Sealable, Orange, Signal, HVA 280

[View on TE.com >](#)



Connectors > Automotive Connectors > Automotive Housings



Number of Positions: 2

Connector & Housing Type: **Housing for Male Terminals**

Mating Tab Width: 2.8 mm [.11 in]

Connector System: **Wire-to-Board, Wire-to-Device**

Centerline (Pitch): 10.4 mm [.409 in]

Features

Dimensions

Product Width	71.55 mm[2.81 in]
Product Length	29.9 mm[1.17 in]
Connector Height	27.65 mm[1.08 in]

Packaging Features

Packaging Method	Package
Packaging Quantity	1

Mechanical Attachment

Strain Relief	With
Terminal Position Assurance	No
Mating Alignment Type	Keyed
Mating Alignment	With
Connector Mounting Type	Cable Mount (Free-Hanging)

Other

Serviceable	No
-------------	----



Connector Position Assurance Capable	Yes
--------------------------------------	-----

EU RoHS Compliance	Compliant
--------------------	-----------

EU ELV Compliance	Compliant
-------------------	-----------

Electrical Characteristics

Operating Voltage	600 VDC
-------------------	---------

Nominal Voltage Architecture	550 V, 24 V, 240 V, 600 V, 80 V, 90 V, 42 V, 48 V, 12 V, 125 V, 500 V
------------------------------	---

Body Features

Cable Exit Angle	180°
------------------	------

Primary Product Color	Orange
-----------------------	--------

Connector & Keying Code	B
-------------------------	---

Housing Features

Housing Material	PA GF
------------------	-------

Centerline (Pitch)	10.4 mm [.409 in]
--------------------	-------------------

Contact Features

Contact Size	2.8mm
--------------	-------

Contact Type	Tab
--------------	-----

Mating Tab Width	2.8 mm [.11 in]
------------------	-----------------

Product Type Features

Mixed & Hybrid Connector	Yes
--------------------------	-----

Connector Shape	Rectangular
-----------------	-------------

Connector & Housing Type	Housing for Male Terminals
--------------------------	----------------------------

Connector System	Wire-to-Board, Wire-to-Device
------------------	-------------------------------

Sealable	Yes
----------	-----

Primary Locking Feature	On the Terminal
-------------------------	-----------------

Configuration Features

Number of Positions	2
---------------------	---

Number of Rows	1
----------------	---

Usage Conditions

Operating Temperature (Max)	125 °C, 80 °C, 105 °C, 100 °C, 90 °C, 85 °C, 75 °C, 70 °C, 110 °C, 120 °C [248 °F][221 °F][158 °F][167 °F][230 °F][176 °F][194 °F][185 °F][212 °F][257 °F]
-----------------------------	--



Operating Temperature Range -40 – 125 °C[-40 – 257 °F]

Operation/Application

Circuit Application	Signal
---------------------	--------

Product Compliance

[For compliance documentation, visit the product page on TE.com>](#)

EU RoHS Directive 2011/65/EU	Compliant
EU ELV Directive 2000/53/EC	Compliant
China RoHS 2 Directive MIIT Order No 32, 2016	No Restricted Materials Above Threshold
EU REACH Regulation (EC) No. 1907/2006	Current ECHA Candidate List: JUNE 2024 (241) Candidate List Declared Against: JUN 2015 (163) SVHC > Threshold: Not Yet Reviewed
Halogen Content	Not Low Halogen - contains Br or Cl > 900 ppm.
Solder Process Capability	Not reviewed for solder process capability

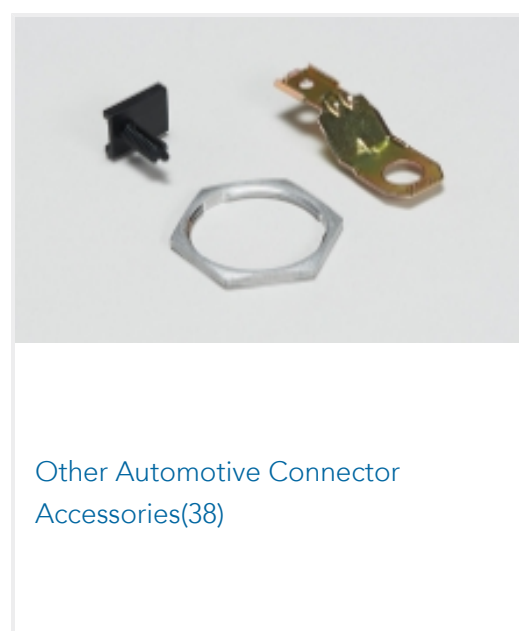
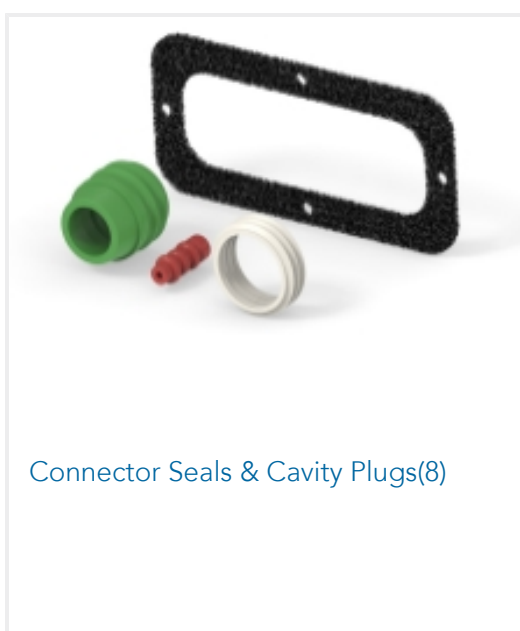
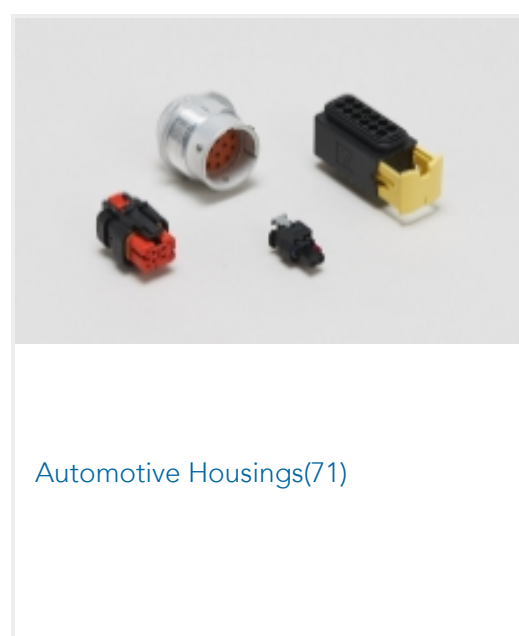
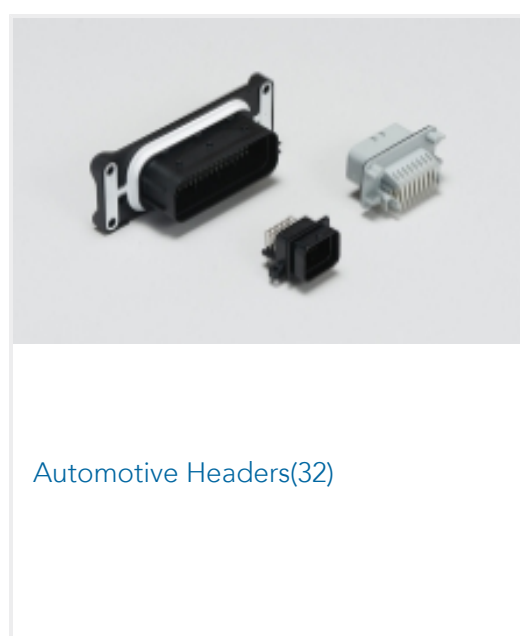
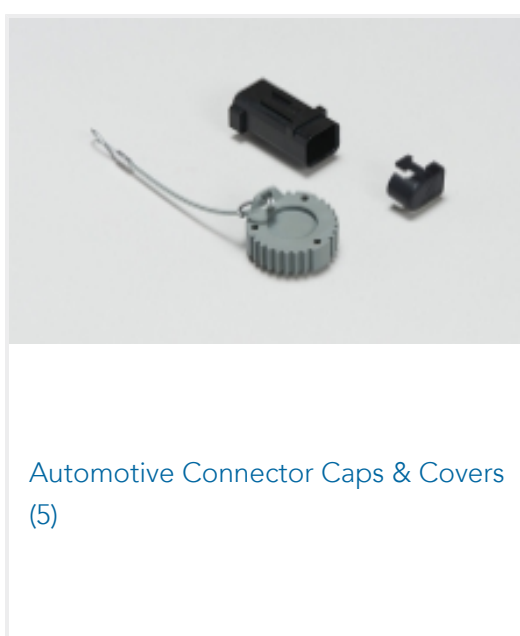
Product Compliance Disclaimer

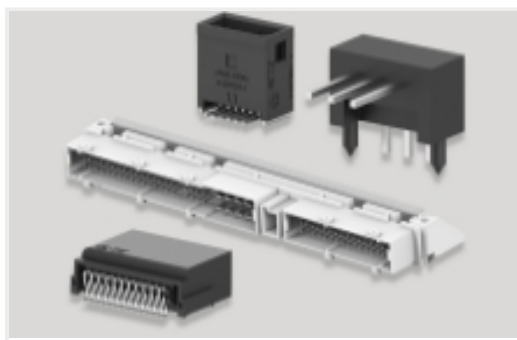
This information is provided based on reasonable inquiry of our suppliers and represents our current actual knowledge based on the information they provided. This information is subject to change. The part numbers that TE has identified as EU RoHS compliant have a maximum concentration of 0.1% by weight in homogenous materials for lead, hexavalent chromium, mercury, PBB, PBDE, DBP, BBP, DEHP, DIBP, and 0.01% for cadmium, or qualify for an exemption to these limits as defined in the Annexes of Directive 2011/65/EU (RoHS2). Finished electrical and electronic equipment products will be CE marked as required by Directive 2011/65/EU. Components may not be CE marked. Additionally, the part numbers that TE has identified as EU ELV compliant have a maximum concentration of 0.1% by weight in homogenous materials for lead, hexavalent chromium, and mercury, and 0.01% for cadmium, or qualify for an exemption to these limits as defined in the Annexes of Directive 2000/53/EC (ELV). Regarding the REACH Regulations, TE's information on SVHC in articles for this part number is still based on the European Chemical Agency (ECHA) 'Guidance on requirements for substances in articles' (Version: 2, April 2011), applying the 0.1% weight on weight concentration threshold at the finished product level. TE is aware of the European Court of Justice ruling of September 10th, 2015 also known as O5A (Once An Article Always An Article) stating that, in case of 'complex object', the threshold for a SVHC must be applied to both the product as a whole and simultaneously to each of the articles forming part of its composition. TE has evaluated this ruling based on the new ECHA "Guidance on requirements for substances in articles" (June 2017, version 4.0) and will be updating its statements accordingly.

Compatible Parts



Also in the Series | **HVA 280**





PCB Headers & Receptacles(32)

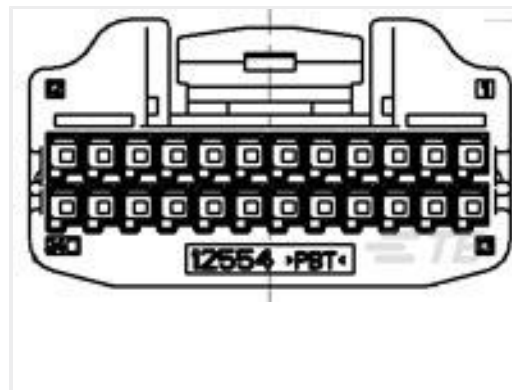
Customers Also Bought



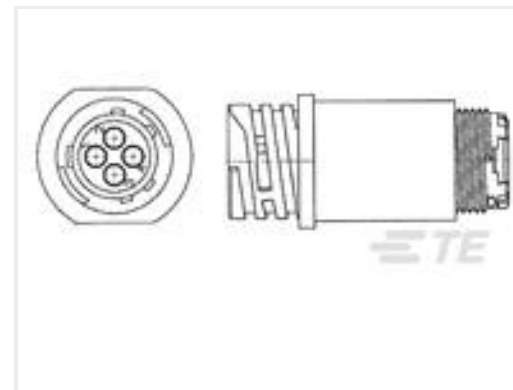
TE Part #2-2371035-1
PIN CONN CVR,3POS,DIA 4MM,CVE
BLIND PLUG



TE Part #1-2103124-1
HEADER ASSY, Ag SHIELD, KEY A,
HVA280-2P



TE Part #1717112-1
0.64 III 24POS PLUG ASSY



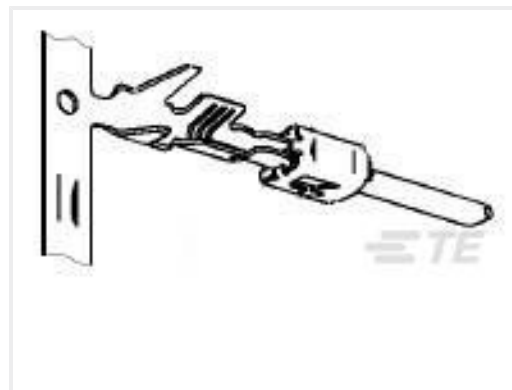
TE Part #796273-1
SLD CPC RCPT ASSY,17-14,REV SX



TE Part #CSI-SGFB-200-UFFR
SMA to U.FL/MHF1 200mm 1.13 OD



TE Part #1564411-6
SLIDE,TAB HSG GROUP E



TE Part #2-2141598-2
TAB 2.8x0.8 CONTACT CF SRC Ag



TE Part #DT13-12PB
HDR, 12P, BLK, RA, NI/CU, B



TE Part #HD10-9-GKT
GASKET, 9SZ, BLK, HD10



TE Part #16-04978
GASKET, 18SZ, BLK, HD30

Documents

Product Drawings

[CAP SUBASSY, KEY B, HVA280-2PHI](#)

English

CAD Files

[3D PDF](#)

[3D](#)

Customer View Model

[ENG_CVM_CVM_2103191-2_A.2d_dxf.zip](#)



English

Customer View Model

[ENG_CVM_CVM_2103191-2_A.3d_igs.zip](#)

English

Customer View Model

[ENG_CVM_CVM_2103191-2_A.3d_stp.zip](#)

English

By downloading the CAD file I accept and agree to the [Terms and Conditions](#) of use.

Product Specifications

[Application Specification](#)

English