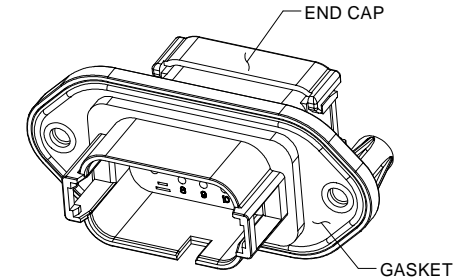
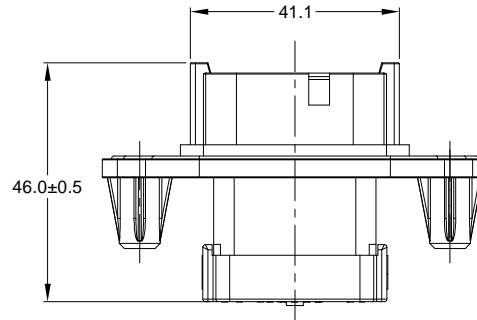
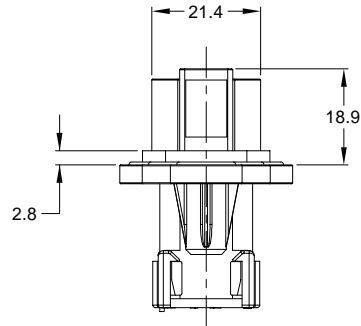
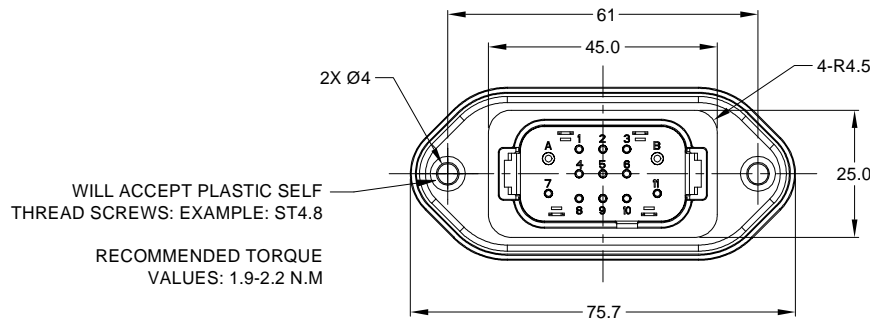
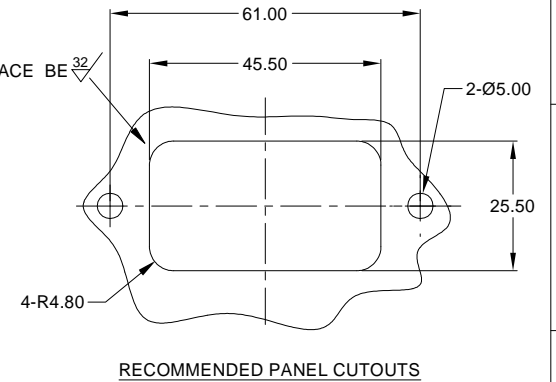


REVISIONS					
REV	ECO	DESCRIPTION	DATE	BY	APPR
A3	-	RELEASE NEW DRAWING FORMAT	10/23/13	DRP	-
A4	-	ADD PANEL CUTOUTS VIEW	11/20/15	JARRY	TOMMY
A5	-	MODIFY DIMENSIONS	22MAY24	ALLEN	TOMMY
A6	-	MODIFY DIMENSIONS	18JUL24	ALLEN	TOMMY

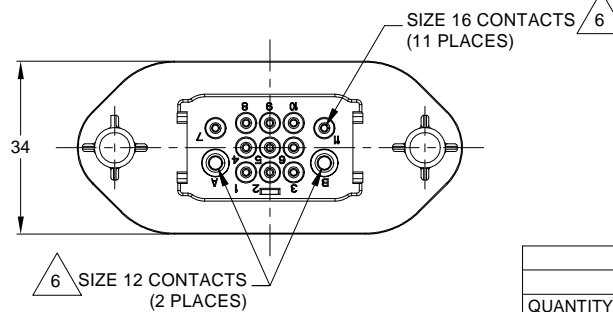


INTERNAL SEALING SURFACE BE  $\sqrt[32]{}$  OR BETTER  $\sqrt[0.13]{}$



NOTES: UNLESS OTHERWISE SPECIFIED

- MATERIAL:  
HOUSING: THERMOPLASTIC; COLOR: BLACK  
SEAL: SILICONE RUBBER
- MODIFICATIONS: REDUCED DIAMETER WIRE SEAL;  
END CAP
- SPECIFICATIONS:
  - CURRENT RATING: SEE NOTE 6
  - OPERATING TEMPERATURE: -55°C TO +125°C
  - DIELECTRIC WITHSTANDING VOLTAGE: LESS THAN 2 MILLIAMPS CURRENT LEAKAGE @ 1500 VOLTS AC.
  - INSULATION RESISTANCE: 1000 MEGOHMS MIN @ 25°C.
  - MOISTURE RESISTANCE: IP67 (MATED CONDITION)
  - MATING CYCLE DURABILITY: 100 CYCLES
  - RoHS COMPLIANT



CONTACT SIZE AND REAR SEAL WIRE RANGE:

CONTACT SIZE	MIN. INSUL O.D.	MAX. INSUL O.D.	TYPICAL WIRE RANGE	CURRENT RATING
16	1.35 mm (.053 in)	3.05 mm (.120 in)	14-20 AWG	13 AMPS
12	2.46 mm (.097 in)	4.01 mm (.158 in)	12-14 AWG	25 AMPS

4. MATING PART: AT1612-13SB\* PLUG (\* = MODIFICATIONS)

5. ALL DIMENSIONS ARE FOR REFERENCE USE ONLY.

AT1612-13PB-RDG		DESCRIPTION		ITEM
QUANTITY	PART NUMBER	MATERIALS LIST		
UNLESS OTHERWISE SPECIFIED		SIGNATURES		DATE
1) All dimensions are in metric(mm).		DRAWN: ALLEN	18/JUL/24	
2) Tolerances are as follows:		CHECKED: ORION	19/JUL/24	
1 PL DEC ±0.30		ENGINEER:		
2 PL DEC ±0.15		APPROVAL: TOMMY	19/JUL/24	
3 PL DEC ±0.08		CUSTOMER:		
3) Note reference = $\sqrt[6]{}$		MATERIAL SPECIFICATIONS:		
PROCESS SPECIFICATIONS:		THIS DRAWING IS SUPPLIED FOR INFORMATION ONLY. DESIGN FEATURES, SPECIFICATIONS AND PERFORMANCE DATA SHOWN HEREON ARE THE PROPERTY OF THE AMPHENOL CORPORATION. NO RIGHTS OF REPRODUCTION ARE IMPLIED. ALL DIMENSIONS ARE SUBJECT TO NORMAL MANUFACTURING VARIATIONS.		
NEXT ASSY:		SCALE: NONE	TYPE: B C-	DWG NO: AT1612-13PB-RDG
		SINE SYSTEMS - www.amphenol-sine.com 44724 Morley Drive Clinton Township, MI 48036		REVISION: A6
		AT SERIES, 13 PIN RECEPTACLE W/FLANGE GASKET & REDUCED DIAMETER SEAL		
		SHEET 1 OF 1		

TITLE: AT 13 PIN RECEPT W/ FLANGE, GASKET & REDUCED DIA. SEAL  
DWG NO.: AT1612-13PB-RDG  
REV: A6  
SH: 1  
OF: 1