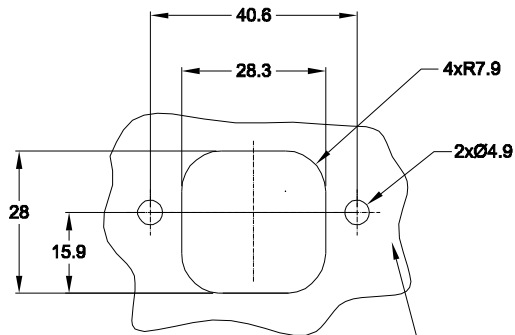
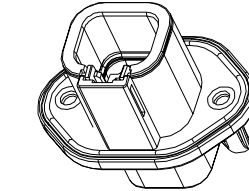
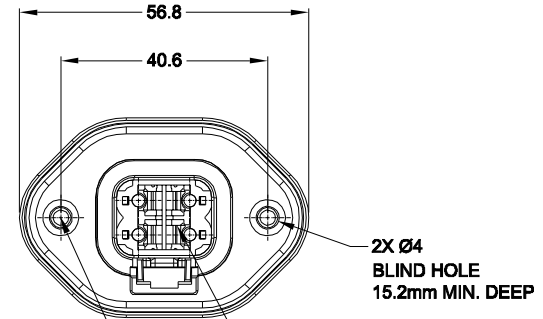
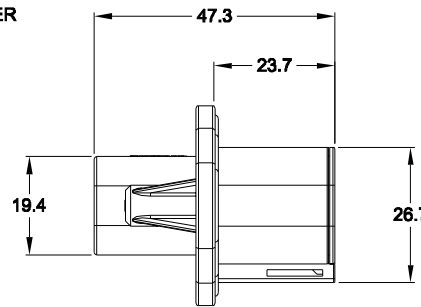
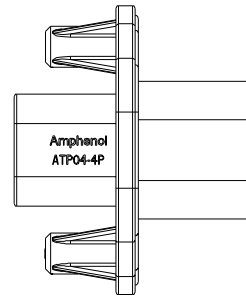
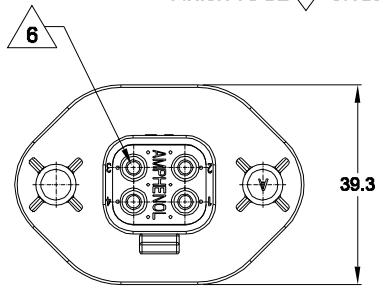


| REVISIONS |     |                 |           |       |       |
|-----------|-----|-----------------|-----------|-------|-------|
| REV       | ECO | DESCRIPTION     | DATE      | BY    | APPR  |
| A1        | -   | NEW RELEASE     | 16/JAN/15 | TOM   | TOMMY |
| A2        | -   | UPDATED DRAWING | 14/MAR/15 | ORION | TOMMY |



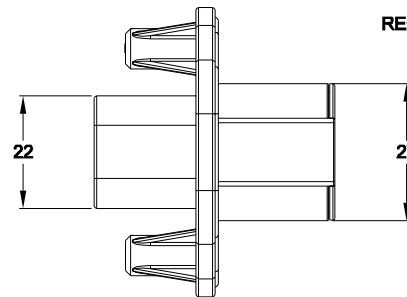
RECOMMENDED PANEL CUTOUTS  
INTERNAL SEALING SURFACE FINISH TO BE 3.2/ OR BETTER



REQUIRES CONTACT RETENTION WEDGE AWP-4P

WILL ACCEPT PLASTIC SELF THREAD SCREWS: EXAMPLE: ST4.8

RECOMMENDED TORQUE VALUES: 1.9-2.2 N.M



NOTES: UNLESS OTHERWISE SPECIFIED

- MATERIAL:  
HOUSING: THERMOPLASTIC; COLOR: SEE PN CHART  
SEAL: SILICONE RUBBER
- MODIFICATIONS: FLANGE MOUNTING;
- SPECIFICATIONS:
  - CURRENT RATING: 25 AMPS
  - OPERATING TEMPERATURE: -55°C TO +125°C
  - DIELECTRIC WITHSTANDING VOLTAGE: LESS THAN 2 MILLIAMPS CURRENT LEAKAGE @ 1500 VOLTS AC.
  - INSULATION RESISTANCE: 1000 MEGOHMS MIN @ 25°C.
  - MOISTURE RESISTANCE: IP67 ( MATED CONDITION )
  - MATING CYCLE DURABILITY: 100 CYCLES
  - RoHS COMPLIANT
- MATING PART: ATP06-4S\* PLUG.  
(\* = MODIFICATIONS AND COLORS )
- ALL DIMENSIONS ARE FOR REFERENCE USE ONLY.

6 CONTACT SIZE AND REAR SEAL WIRE RANGE:

| CONTACT SIZE | MIN. INSUL O.D.   | MAX. INSUL O.D.   | TYPICAL WIRE RANGE |
|--------------|-------------------|-------------------|--------------------|
| 12           | 3.40 mm (.134 in) | 4.95 mm (.195 in) | 10 - 14 AWG        |

| PART NUMBER CHART |                |
|-------------------|----------------|
| COLOR             | PART NUMBER    |
| BLACK             | ATP04-4P-PM07G |
| GREY              | ATP04-4P-PM08G |

| SEE PART NUMBER CHART  |             | DESCRIPTION    |           | ITEM   |              |
|--|-------------|----------------|-----------|--|--------------|
| QUANTITY   | PART NUMBER |                |           |  |              |
| <b>MATERIALS LIST</b>  |             |                |           |  |              |
| UNLESS OTHERWISE SPECIFIED<br>1) All dimensions are in metric(mm).<br>2) Tolerances are as follows:<br>1 PL DEC ±0.30<br>2 PL DEC ±0.16<br>3 PL DEC ±0.08<br>3) Note reference =   |             | SIGNATURES     | DATE      | <div style="text-align: center;"> <h1>Amphenol</h1> <p>Sine Systems - www.amphenol-sine.com<br/>44724 Morley Drive<br/>Clinton Township, MI 48036</p> <p>RECEPTACLE, 4 PIN,<br/>ATP SERIES, PANEL MOUNT</p> </div> |              |
| MATERIAL SPECIFICATIONS:   |             | DRAWN: ORIONLI | 16/JAN/15 |  |              |
| PROCESS SPECIFICATIONS:  |             | CHECKED:       | ENGINEER: |  |              |
| NEXT ABBY:   |             | APPROVAL:      | CUSTOMER: |  |              |
| THIS DRAWING IS SUPPLIED FOR INFORMATION ONLY. DESIGN FEATURES, SPECIFICATIONS AND PERFORMANCE DATA SHOWN HEREON ARE THE PROPERTY OF THE AMPHENOL CORPORATION. NO RIGHTS OF REPRODUCTION ARE IMPLIED. ALL DIMENSIONS ARE SUBJECT TO NORMAL MANUFACTURING VARIATIONS. |             | SIZE           | TYPE      | DWG NO:  | REVISION     |
|  |             | B C-           |           | ATP04-4P-PM0XG   | A2           |
|  |             | SCALE: NONE    |           |  | SHEET 1 OF 1 |

TITLE: RECEPTACLE, 4 PIN, ATP SERIES, PANEL MOUNT  
DWG NO: ATP04-4P-PM0XG  
REV: A2  
SH: 1  
OF: 1

# A Series™ - Contact Size 12 Options (Works with: AHD-6, ATP, ATHD, DuraMate and PanelMate Series)

| Machined Contacts, Sockets & Pins |  |      |       |          |
|-----------------------------------|--|------|-------|----------|
| Part Number                       | Description                            | Size | AWG   | Type     |
| *AT60-204-12141-10                | Male Contact - Pin, Nickel-plated      | 12   | 10-12 | Machined |
| *AT62-203-12141-10                | Female Contact - Socket, Nickel-plated | 12   | 10-12 | Machined |
| AT60-220-1231                     | Male Contact - Pin, Gold-plated        | 12   | 12-14 | Machined |
| AT62-210-1231                     | Female Contact - Socket, Gold-plated   | 12   | 12-14 | Machined |
| AT60-204-12141                    | Male Contact - Pin, Nickel-plated      | 12   | 12-14 | Machined |
| AT62-203-12141                    | Female Contact - Socket, Nickel-plated | 12   | 12-14 | Machined |

\*Works with ATP Series only

| DiagnosticGrade™ Machined Contacts, Sockets & Pins   |  |      |     |          |
|--|--|------|-----|----------|
| • Smaller AWG for Diagnostic Applications • Gold-plated • Increased Mating Cycles • Cost-effective |  |      |     |          |
| Part Number  | Description  | Size | AWG | Type     |
| 65-54749   | Male Contact - DiagnosticGrade™, Pin, Gold-plated      | 12   | 20  | Machined |
| AT62-210-1231-1820   | Female Contact - DiagnosticGrade™, Socket, Gold-plated | 12   | 20  | Machined |

| Tooling - Machined Contacts |  |
|-----------------------------|--|
| Part Number                 | Description  |
| AUTK-12                     | Hand Crimp Tool, Size 12   |
| AUTK-100                    | Universal Heavy Duty Contact Crimping Tool Kit, Size 12/16/20      |
| CA-5D12                     | Universal Hand Crimp Tool, Size 12/16/20                           |
| CA-5E12                     | Pneumatic Crimp Tool, Size 12/16/20                                |
| M300-25A                    | Hand Crimp Tool used with Crimp Locator MFX-3966, Size 12, 10AWG   |
| MFX-3966                    | Contact Locator used with Hand Crimp Tool M300-25A, Size 12, 10AWG |

| Stamped & Formed Contacts, Sockets & Pins |  |      |       |                  |
|---|--|------|-------|------------------|
| Part Number                               | Description                            | Size | AWG   | Type             |
| AT60-12-0244                              | Male Contact - Pin, Gold-plated        | 12   | 10-12 | Stamped & Formed |
| AT62-12-0244                              | Female Contact - Socket, Gold-plated   | 12   | 10-12 | Stamped & Formed |
| AT60-12-0222                              | Male Contact - Pin, Nickel-plated      | 12   | 10-12 | Stamped & Formed |
| AT62-12-0222                              | Female Contact - Socket, Nickel-plated | 12   | 10-12 | Stamped & Formed |
| AT60-12-0144                              | Male Contact - Pin, Gold-plated        | 12   | 12-14 | Stamped & Formed |
| AT62-12-0144                              | Female Contact - Socket, Gold-plated   | 12   | 12-14 | Stamped & Formed |
| AT60-12-0166                              | Male Contact - Pin, Nickel-plated      | 12   | 12-14 | Stamped & Formed |
| AT62-12-0166                              | Female Contact - Socket, Nickel-plated | 12   | 12-14 | Stamped & Formed |

| Tooling - Stamped & Formed Contacts |   |
|-------------------------------------|---|
| Part Number                         | Description                                 |
| MFX-3973                            | Crimp Die - Size 12                         |
| MFX-3985                            | Crimp Die - Ssize 12, 10-12AWG -02XX Series |
| ATT-12-00                           | Hand Crimp Tool - Size 12, 12AWG            |
| ATT-12-01                           | Hand Crimp Tool - Size 12, 10AWG            |

| Contact Removal Tools (For both Machined or Stamped & Formed Contacts) |  |
|--|--|
| Part Number  | Description                            |
| ATRT-100   | Contact and Wedgelock Extraction Tool  |
| AT11-337-1205  | Contact Removal Tool, Plastic, Size 12 |

| Sealing Plugs (For both Machined or Stamped & Formed Contacts) |                              |
|--|------------------------------|
| Part Number  | Description                  |
| A114017  | Sealing Plug, Size 12, White |