

1924580-1 ✓ ACTIVE

AMP | AMPSEAL 16

TE Internal #: 1924580-1

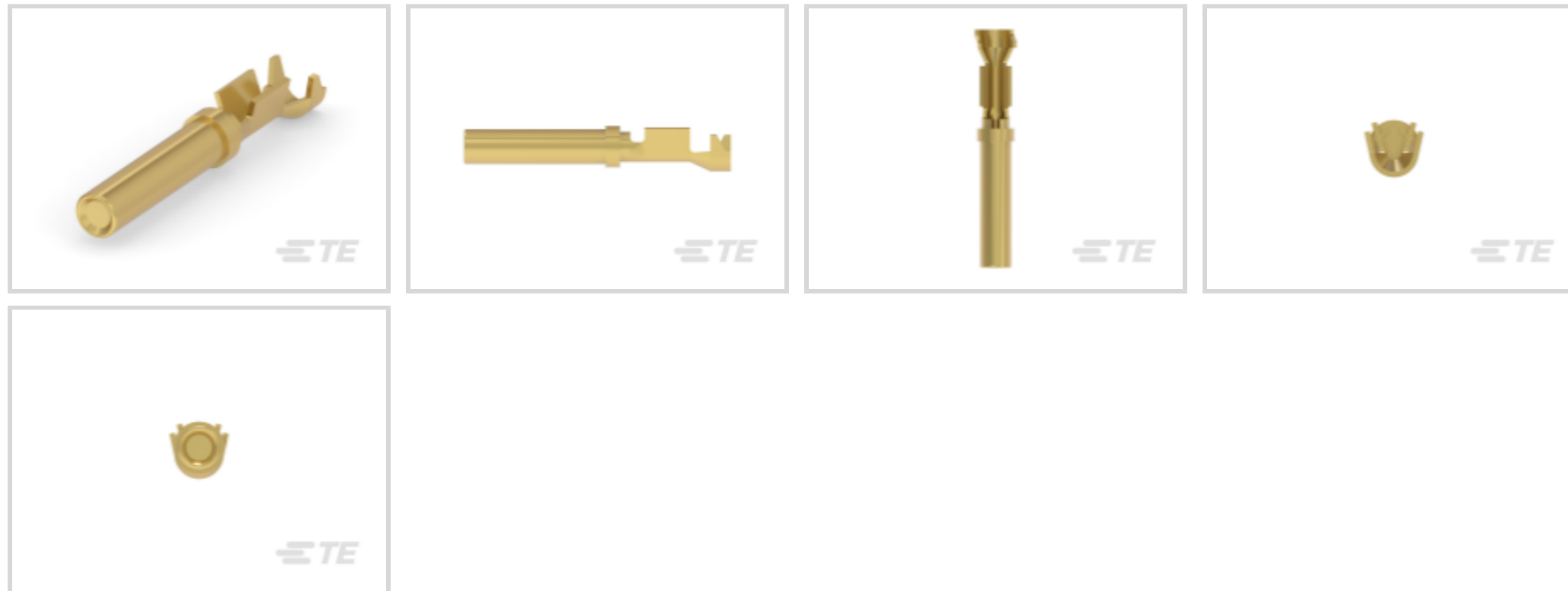
Socket Terminal, Gold (Au), 1.59 mm [.062 in] Pin Diameter, 20 – 18

AWG, .52 – .823 mm<sup>2</sup> Wire, Terminates To Wire, AMPSEAL 16

[View on TE.com >](#)



Terminals & Splices > Automotive Terminals > AMPSEAL 16 CONTACTS



Terminal Type: **Socket**

Interface Plating: **Gold (Au)**

Mating Pin Diameter: **1.59 mm [.062 in]**

Terminal Transmits: **0 – 24 A (Low Power)**

Wire Size: **20 – 18 AWG**

[All AMPSEAL 16 CONTACTS \(35\)](#)

## Features

### Operation/Application

Compatible With Wire Base Material	Copper
------------------------------------	--------

### Packaging Features

Packaging Method	Bag
Packaging Quantity	1000

### Usage Conditions

Insulation Option	Partially Insulated
Operating Temperature (Max)	125 °C[257 °F]
Operating Temperature Range	-40 – 125 °C[-40 – 257 °F]

### Termination Features

Termination Method to Wire & Cable	Crimp
Product Terminates To	Wire

### Product Type Features

Receptacle Style	180°
------------------	------



Sealable	No
Primary Locking Feature	Clean Body

### Dimensions

Compatible Insulation Diameter Range	1.27 – 2.72 mm [.05 – .107 in]
Wire Size	.52 – .823 mm <sup>2</sup>
Tab Length	21.6 mm [.85 in]

### Contact Features

Typical Current Rating	13 A
Crimp Type	F-Crimp
Contact Size	Size 16
Contact Fabrication	Stamped & Formed
Wire Contact Termination Area Plating Material	Tin
Terminal Type	Socket
Interface Plating	Gold (Au)
Mating Pin Diameter	1.59 mm [.062 in]

### Other

Terminal Transmits	0 – 24 A (Low Power)
EU RoHS Compliance	Compliant
EU ELV Compliance	Compliant

### Product Compliance

[For compliance documentation, visit the product page on TE.com>](#)

EU RoHS Directive 2011/65/EU	Compliant
EU ELV Directive 2000/53/EC	Compliant
China RoHS 2 Directive MIIT Order No 32, 2016	No Restricted Materials Above Threshold
EU REACH Regulation (EC) No. 1907/2006	Current ECHA Candidate List: JUNE 2024 (241) Candidate List Declared Against: JUNE 2024 (241) Does not contain REACH SVHC
Halogen Content	Low Halogen - Br, Cl, F, I < 900 ppm per homogenous material. Also BFR/CFR/PVC Free
Solder Process Capability	Not applicable for solder process capability

Product Compliance Disclaimer

This information is provided based on reasonable inquiry of our suppliers and represents our current actual knowledge based on the information they provided. This information is subject to change. The part numbers that TE has identified as EU RoHS compliant have a maximum concentration of 0.1% by weight in homogenous materials for lead, hexavalent chromium, mercury, PBB, PBDE, DBP, BBP, DEHP, DIBP, and 0.01% for cadmium, or qualify for an exemption to these limits as defined in the Annexes of Directive 2011/65/EU (RoHS2). Finished electrical and electronic equipment products will be CE marked as required by Directive 2011/65/EU. Components may not be CE marked. Additionally, the part numbers that TE has identified as EU ELV compliant have a maximum concentration of 0.1% by weight in homogenous materials for lead, hexavalent chromium, and mercury, and 0.01% for cadmium, or qualify for an exemption to these limits as defined in the Annexes of Directive 2000/53/EC (ELV). Regarding the REACH Regulation, the information TE provides on SVHC in articles for this part number is based on the latest European Chemicals Agency (ECHA) 'Guidance on requirements for substances in articles' posted at this URL: <https://echa.europa.eu/guidance-documents/guidance-on-reach>

### Compatible Parts



TE Part # 2119118-1  
SDE Commercial Tool & Die



TE Part # CAT-AM7801-CH8172  
AMPSEAL 16 Housings



TE Part # 2119118-2  
SDE Commercial Tool & Die




TE Part # 776493-1  
SOC, SF, SIZE 16, 18-20 AWG, AU/SN


### Also in the Series | AMPSEAL 16




Automotive Connector Locks & Position Assurance(6)



Automotive Housings(239)




Connector Backshells(88)



Connector Seals & Cavity Plugs(10)



Data Connectivity Headers(2)

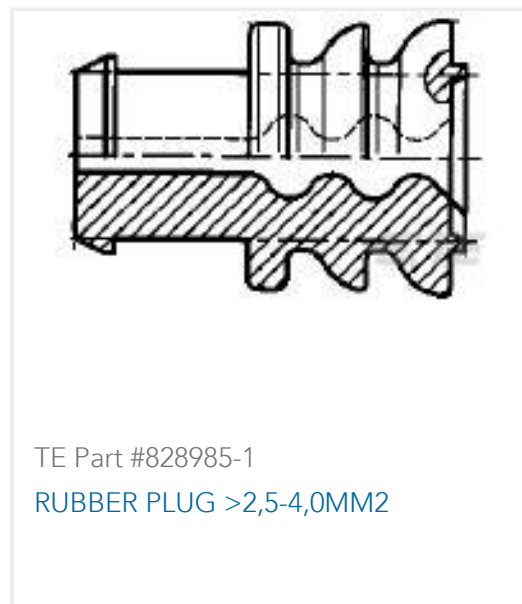
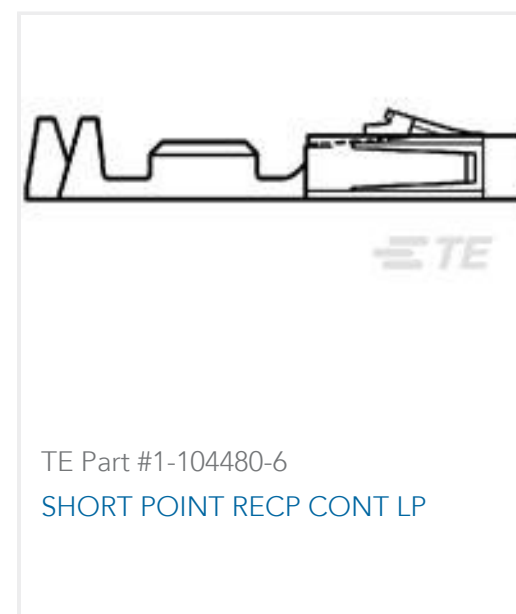


Other Automotive Connector Accessories(8)



Rectangular Backshells & Clamps(74)

### Customers Also Bought



## Documents

### Product Drawings

[ASSEMBLY SOCKET LOOSE PC GOLD](#)

English

### CAD Files

Customer View Model

[ENG\\_CVM\\_CVM\\_1924580-1\\_A.2d\\_dxf.zip](#)

English

### 3D PDF

3D

Customer View Model

[ENG\\_CVM\\_CVM\\_1924580-1\\_A.3d\\_igs.zip](#)

English

Customer View Model

[ENG\\_CVM\\_CVM\\_1924580-1\\_A.3d\\_stp.zip](#)

English

By downloading the CAD file I accept and agree to the [Terms and Conditions](#) of use.

## Datasheets & Catalog Pages



## TERMINALS AND CONNECTORS

English

## CONNECTOR SELECTOR

English

---

## Product Specifications

### Application Specification

English