

776298-1 ✓ ACTIVE

AMP | AMPSEAL 16

TE Internal #: 776298-1

Pin Terminal, Gold (Au), 1.59 mm [.062 in] Pin Diameter, 18 – 14

AWG, .823 – 2.08 mm² Wire, Terminates To Wire, AMPSEAL 16

[View on TE.com >](#)



Terminals & Splices > Automotive Terminals > AMPSEAL 16 CONTACTS



Terminal Type: Pin

Interface Plating: Gold (Au)

Mating Pin Diameter: 1.59 mm [.062 in]

Terminal Transmits: 0 – 24 A (Low Power)

Wire Size: 18 – 14 AWG

[All AMPSEAL 16 CONTACTS \(35\)](#)

Features

Operation/Application

Compatible With Wire Base Material	Copper
------------------------------------	--------

Packaging Features

Packaging Method	Bag
Packaging Quantity	1000

Usage Conditions

Insulation Option	Uninsulated
Operating Temperature (Max)	125 °C[257 °F]
Operating Temperature Range	-40 – 125 °C[-40 – 257 °F]

Termination Features

Termination Method to Wire & Cable	Crimp
Product Terminates To	Wire

Product Type Features

Receptacle Style	180°
------------------	------



Sealable	No
Primary Locking Feature	Clean Body

Dimensions

Compatible Insulation Diameter Range	1.95 – 3.94 mm [.077 – .155 in]
Wire Size	.823 – 2.08 mm ²
Tab Length	19.91 mm [.784 in]

Other

Customer Preferred Contact	No
Terminal Transmits	0 – 24 A (Low Power)
EU RoHS Compliance	Compliant
EU ELV Compliance	Compliant

Contact Features

Typical Current Rating	13 A
Crimp Type	F-Crimp
Contact Size	Size 16
Contact Fabrication	Stamped & Formed
Wire Contact Termination Area Plating Material	Gold
Terminal Type	Pin
Interface Plating	Gold (Au)
Mating Pin Diameter	1.59 mm [.062 in]

Product Compliance

[For compliance documentation, visit the product page on TE.com>](#)

EU RoHS Directive 2011/65/EU	Compliant
EU ELV Directive 2000/53/EC	Compliant
China RoHS 2 Directive MIIT Order No 32, 2016	No Restricted Materials Above Threshold
EU REACH Regulation (EC) No. 1907/2006	Current ECHA Candidate List: JUNE 2024 (241) Candidate List Declared Against: JUNE 2024 (241) Does not contain REACH SVHC
Halogen Content	Low Halogen - Br, Cl, F, I < 900 ppm per homogenous material. Also BFR/CFR/PVC Free
Solder Process Capability	Not applicable for solder process capability

Product Compliance Disclaimer

This information is provided based on reasonable inquiry of our suppliers and represents our current actual knowledge based on the information they provided. This information is subject to change. The part numbers that TE has identified as EU RoHS compliant have a maximum concentration of 0.1% by weight in homogenous materials for lead, hexavalent chromium, mercury, PBB, PBDE, DBP, BBP, DEHP, DIBP, and 0.01% for cadmium, or qualify for an exemption to these limits as defined in the Annexes of Directive 2011/65/EU (RoHS2). Finished electrical and electronic equipment products will be CE marked as required by Directive 2011/65/EU. Components may not be CE marked. Additionally, the part numbers that TE has identified as EU ELV compliant have a maximum concentration of 0.1% by weight in homogenous materials for lead, hexavalent chromium, and mercury, and 0.01% for cadmium, or qualify for an exemption to these limits as defined in the Annexes of Directive 2000/53/EC (ELV). Regarding the REACH Regulation, the information TE provides on SVHC in articles for this part number is based on the latest European Chemicals Agency (ECHA) 'Guidance on requirements for substances in articles' posted at this URL: <https://echa.europa.eu/guidance-documents/guidance-on-reach>

Compatible Parts



TE Part # CAT-AM7801-CH8172
AMPSEAL 16 Housings



TE Part # 2320913-4
AS16, CAP ASSY, HT, 02P, N SEAL, CODE D



TE Part # 2320913-3
AS16, CAP ASSY, HT, 02P, N SEAL, CODE C




TE Part # 2320913-1
AS16, CAP ASSY, HT, 02P, N SEAL, CODE A

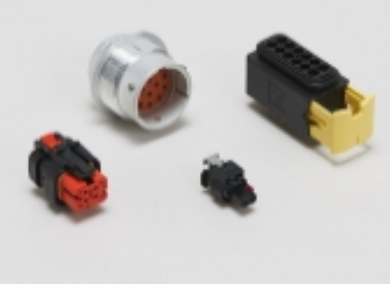


TE Part # 2320913-2
AS16, CAP ASSY, HT, 02P, N SEAL, CODE B


Also in the Series | AMPSEAL 16



Automotive Connector Caps & Covers (5)



Automotive Housings(239)



Automotive Terminals(35)



Data Connectivity Housings(3)



Rectangular Backshells & Clamps(74)

Customers Also Bought



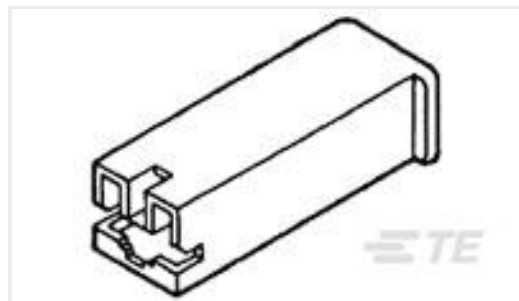
TE Part #5053132039
RNF-100-1/4-9-STK



TE Part #1-2035366-0
Backshell, AS16, 6P, 90Deg, NC12, LP, Plug



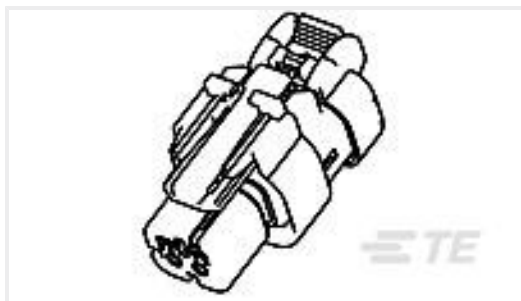
TE Part #1011-232-0305
BKSHL, 3P, BLK, PLG, RA, NW6/7.5/8.5 /10



TE Part #172076-2
PL MKII 250 REC HSG 1P NYLON BLACK



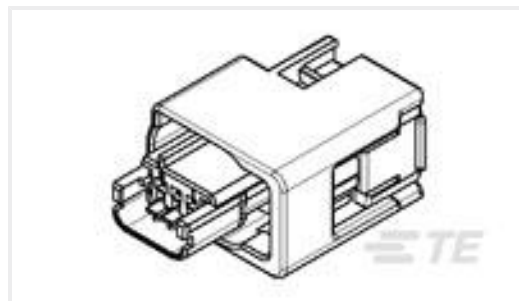
TE Part #5205817-8
KIT SCREWLOCK FEMALE



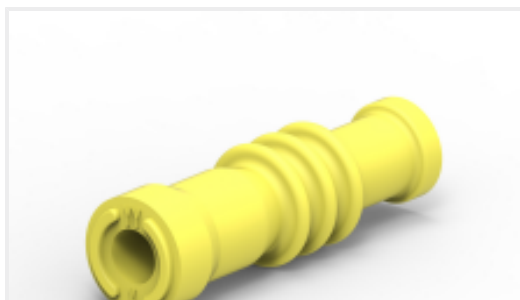
TE Part #776427-4
AS16, PLUG ASSY, ST, 02P, N SEAL, CODE D



TE Part #5-2297811-1
3POS, HPF 1.2, REC HSG, ASSY, SLD



TE Part #1438454-1
0.64MM, 3 POSN SEALED PLUG ASSY



TE Part #2297819-1
SINGLE WIRE SEAL, HPF 1.2, RUBBER



TE Part #1625971-5
HSA25 10R 5%

Documents

Product Drawings

[PIN CONTACT, WIRE TO WIRE](#)

English

CAD Files

Customer View Model

[ENG_CVM_776298-1_A.3d_igs.zip](#)

English

Customer View Model



[ENG_CVM_776298-1_A.3d_stp.zip](#)

English

Customer View Model

[ENG_CVM_776298-1_A.2d_dxf.zip](#)

English

3D PDF

English

By downloading the CAD file I accept and agree to the [Terms and Conditions](#) of use.

Datasheets & Catalog Pages

AMPSEAL 16 CONNECTOR SERIES

English

ICT Terminals and Connectors Catalogue

English

Product Specifications

Application Specification

English