



Connectors > Connector Accessories > Connector Backshells > DEUTSCH DT Backshells



Connector Backshell Product Type: **Backshell**

Primary Product Material: **PA GF**

Number of Positions: **6**

Sealable: **No**

Operating Temperature Range: **-55 – 125 °C [-67 – 257 °F]**

[All DEUTSCH DT Backshells \(47\)](#)

Features

Industry Standards

IP Rating	IP6K9K
UL Flammability Rating	UL 94HB

Dimensions

Compatible Cable Diameter Range	8.5 – 13 mm [.335 – .511 in]
---------------------------------	------------------------------

Packaging Features

Packaging Method	Box
Packaging Quantity	450

Other

Serviceable	Yes
EU RoHS Compliance	Compliant
EU ELV Compliance	Compliant

Usage Conditions

Operating Temperature (Max)	125 °C [257 °F]
-----------------------------	-----------------



Operating Temperature Range -55 – 125 °C[-67 – 257 °F]

Body Features

Cable Exit Angle	90°
Primary Product Color	Black
Primary Product Material	PA GF

Product Type Features

Connector Backshell Product Type	Backshell
Sealable	No

Configuration Features

Number of Positions	6
---------------------	---

Product Compliance

[For compliance documentation, visit the product page on TE.com>](#)

EU RoHS Directive 2011/65/EU	Compliant
EU ELV Directive 2000/53/EC	Compliant
China RoHS 2 Directive MIIT Order No 32, 2016	No Restricted Materials Above Threshold
EU REACH Regulation (EC) No. 1907/2006	Current ECHA Candidate List: JUNE 2024 (241) Candidate List Declared Against: JUNE 2024 (241) Does not contain REACH SVHC
Halogen Content	Low Halogen - Br, Cl, F, I < 900 ppm per homogenous material. Also BFR/CFR/PVC Free
Solder Process Capability	Not reviewed for solder process capability

Product Compliance Disclaimer

This information is provided based on reasonable inquiry of our suppliers and represents our current actual knowledge based on the information they provided. This information is subject to change. The part numbers that TE has identified as EU RoHS compliant have a maximum concentration of 0.1% by weight in homogenous materials for lead, hexavalent chromium, mercury, PBB, PBDE, DBP, BBP, DEHP, DIBP, and 0.01% for cadmium, or qualify for an exemption to these limits as defined in the Annexes of Directive 2011/65/EU (RoHS2). Finished electrical and electronic equipment products will be CE marked as required by Directive 2011/65/EU. Components may not be CE marked. Additionally, the part numbers that TE has identified as EU ELV compliant have a maximum concentration of 0.1% by weight in homogenous materials for lead, hexavalent chromium, and mercury, and 0.01% for cadmium, or qualify for an exemption to these limits as defined in the Annexes of Directive 2000/53/EC (ELV). Regarding the REACH Regulation, the information TE provides on SVHC in articles for this part number is based on the latest European Chemicals Agency (ECHA) 'Guidance on requirements for substances in articles' posted at this URL: <https://echa.europa.eu/guidance-documents/guidance-on-reach>

Compatible Parts



TE Part # CAT-D487-CH8172
DEUTSCH DT Series Housings & Connectors



TE Part # CAT-J41-DDCC
DEUTSCH DT Color Connectors

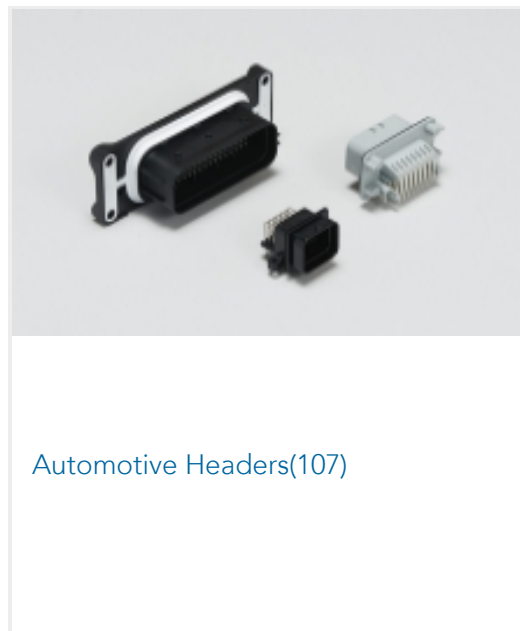


TE Part # CAT-J41-DDPC
DEUTSCH DT Plug Connectors

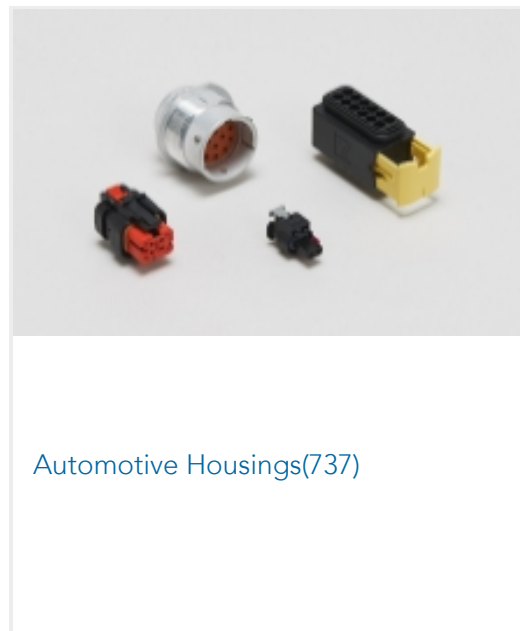
Also in the Series | DEUTSCH DT



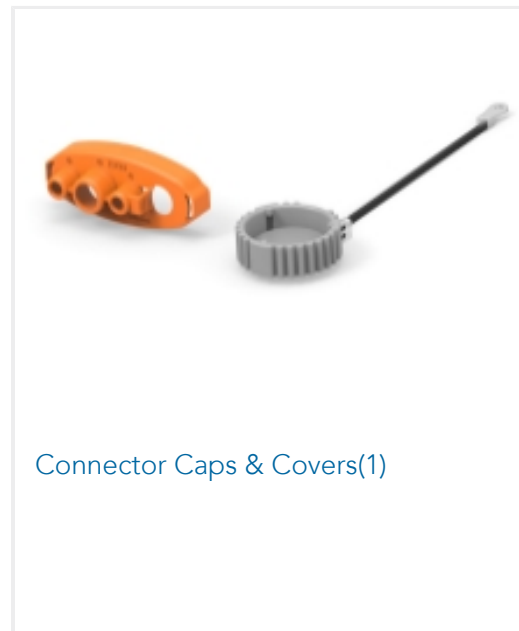
Automotive Connector Locks & Position Assurance(90)



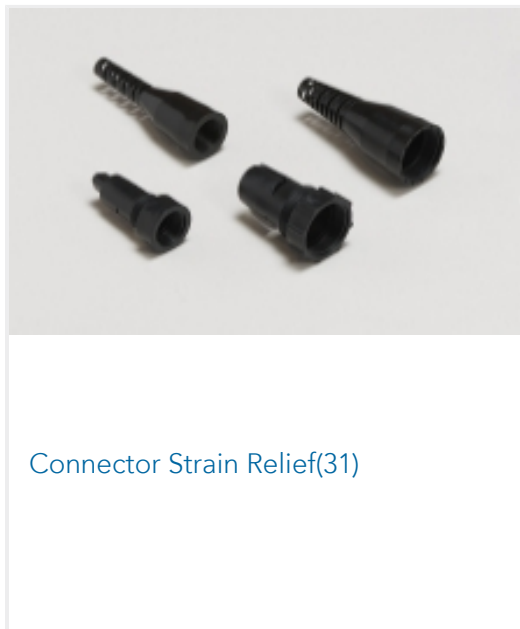
Automotive Headers(107)



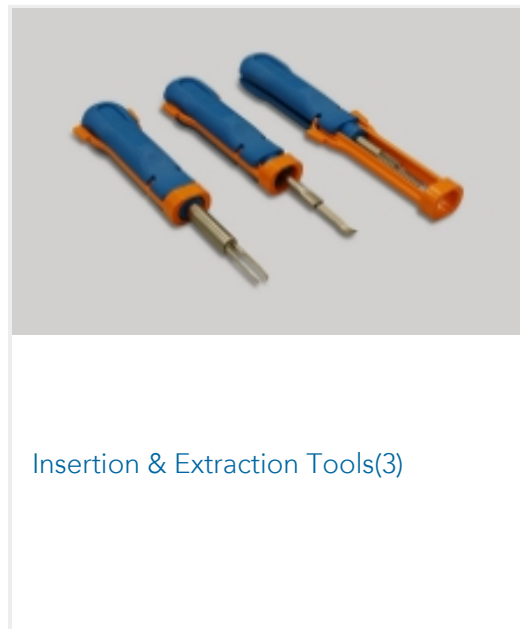
Automotive Housings(737)



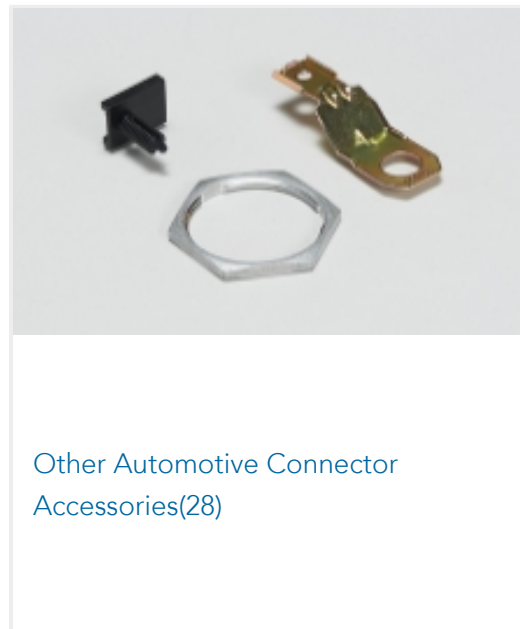
Connector Caps & Covers(1)



Connector Strain Relief(31)



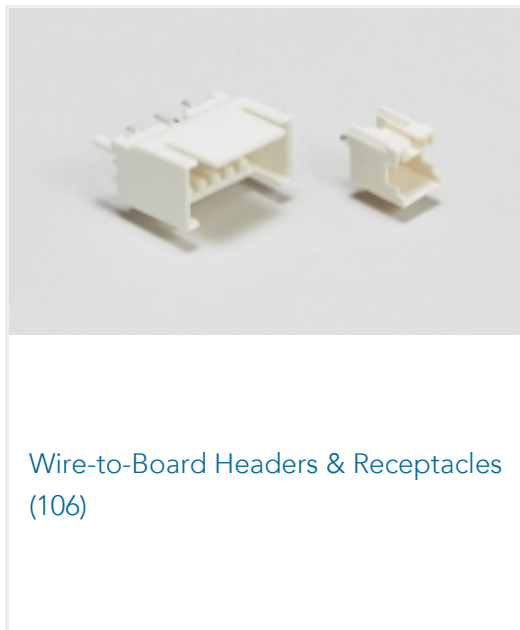
Insertion & Extraction Tools(3)



Other Automotive Connector Accessories(28)

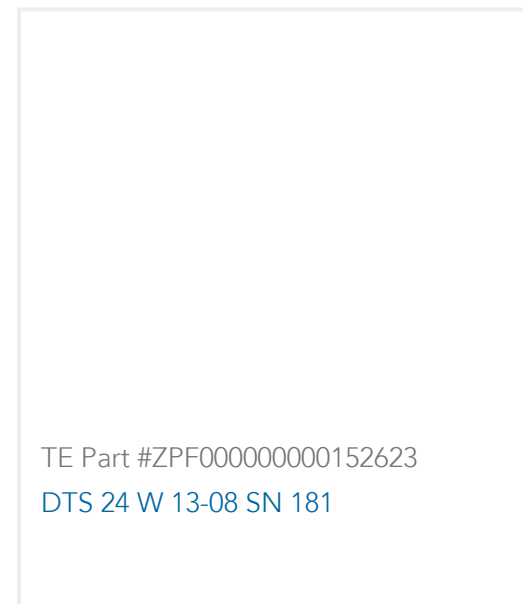
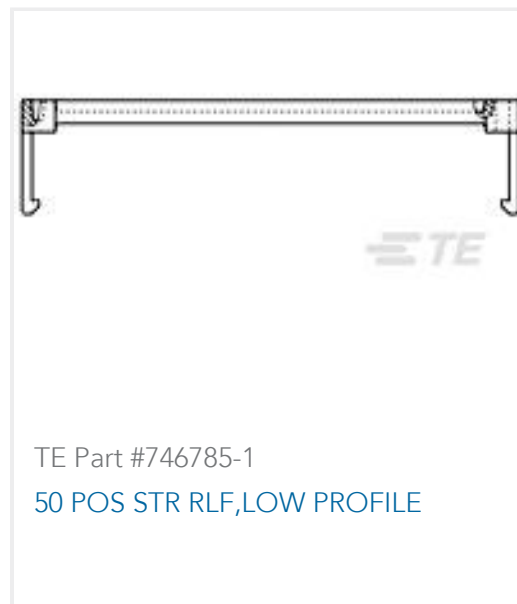
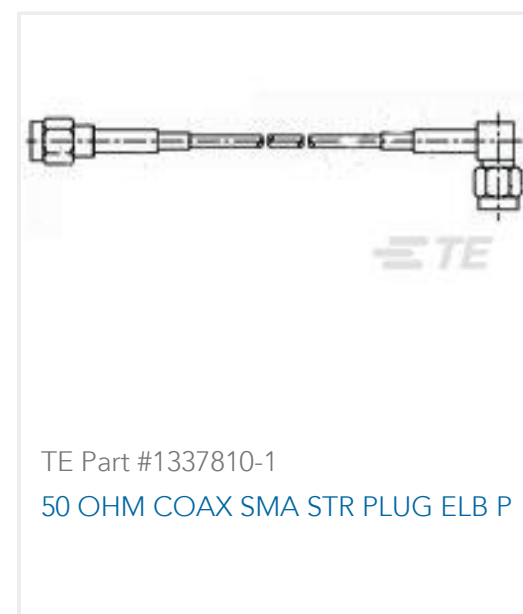
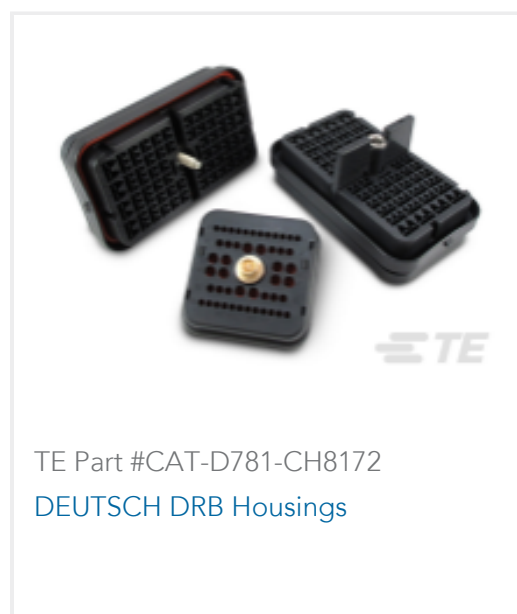


Rectangular Backshells & Clamps(3)



Wire-to-Board Headers & Receptacles (106)

Customers Also Bought



Documents

Product Drawings

[BKSHL, 6P, BLK, PLG, RA, SR, NW8.5/10/13](#)

English

CAD Files

[3D PDF](#)

3D

Customer View Model

[ENG_CVM_CVM_1011-268-0605_99_c-1011-268-0605-99.2d_dxf.zip](#)

English

Customer View Model

[ENG_CVM_CVM_1011-268-0605_99_c-1011-268-0605-99.3d_igs.zip](#)

English

Customer View Model

[ENG_CVM_CVM_1011-268-0605_99_c-1011-268-0605-99.3d_stp.zip](#)

English

By downloading the CAD file I accept and agree to the [Terms and Conditions](#) of use.

Datasheets & Catalog Pages

[TERMINALS AND CONNECTORS](#)

English

[ICT Terminals and Connectors Catalogue](#)

English

[CONNECTOR SELECTOR](#)

English

Product Specifications



Application Specification

English