



DEUTSCH | DEUTSCH DT

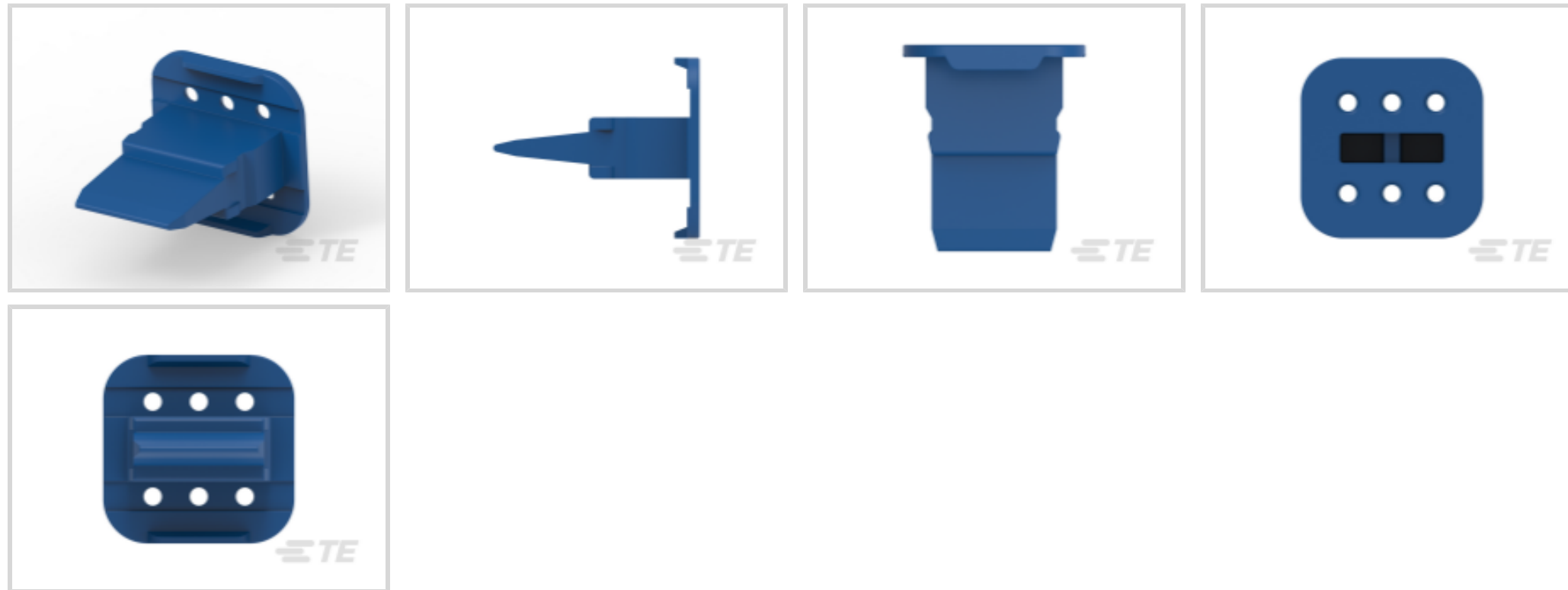
TE Internal #: W6S2-P012

TPA (Terminal Position Assurance), Blue, PBT GF, 6 Position, -55 – 125 °C [-67 – 257 °F], DEUTSCH DT

[View on TE.com >](#)

Connectors > Automotive Connectors > Automotive Connector Accessories > Automotive Connector Locks & Position Assurance >

Wedgelocks: DEUTSCH DT



Connector & Contact Retention Accessory Type: **TPA (Terminal Position Assurance)**

Primary Product Color: **Blue**

Primary Product Material: **PBT GF**

Number of Positions: **6**

Operating Temperature Range: **-55 – 125 °C [-67 – 257 °F]**

[All Wedgelocks: DEUTSCH DT \(58\)](#)

## Features

### Industry Standards

UL Flammability Rating	UL 94HB
------------------------	---------

### Packaging Features

Packaging Method	Package
------------------	---------

### Other

Serviceable	Yes
EU RoHS Compliance	Compliant
EU ELV Compliance	Compliant

### Product Type Features

Connector & Contact Retention Accessory Type	TPA (Terminal Position Assurance)
--	-----------------------------------

### Body Features

Primary Product Color	Blue
Primary Product Material	PBT GF



### Configuration Features

Number of Positions	6
---------------------	---

### Usage Conditions

Operating Temperature Range	-55 – 125 °C[-67 – 257 °F]
-----------------------------	----------------------------

### Product Compliance

[For compliance documentation, visit the product page on TE.com>](#)

EU RoHS Directive 2011/65/EU	Compliant
EU ELV Directive 2000/53/EC	Compliant
China RoHS 2 Directive MIIT Order No 32, 2016	No Restricted Materials Above Threshold
EU REACH Regulation (EC) No. 1907/2006	Current ECHA Candidate List: JUNE 2024 (241) Candidate List Declared Against: JUNE 2024 (241) Does not contain REACH SVHC
Halogen Content	Low Halogen - Br, Cl, F, I < 900 ppm per homogenous material. Also BFR/CFR/PVC Free
Solder Process Capability	Not reviewed for solder process capability

#### Product Compliance Disclaimer

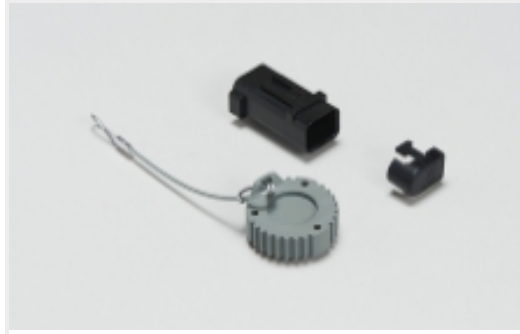
This information is provided based on reasonable inquiry of our suppliers and represents our current actual knowledge based on the information they provided. This information is subject to change. The part numbers that TE has identified as EU RoHS compliant have a maximum concentration of 0.1% by weight in homogenous materials for lead, hexavalent chromium, mercury, PBB, PBDE, DBP, BBP, DEHP, DIBP, and 0.01% for cadmium, or qualify for an exemption to these limits as defined in the Annexes of Directive 2011/65/EU (RoHS2). Finished electrical and electronic equipment products will be CE marked as required by Directive 2011/65/EU. Components may not be CE marked. Additionally, the part numbers that TE has identified as EU ELV compliant have a maximum concentration of 0.1% by weight in homogenous materials for lead, hexavalent chromium, and mercury, and 0.01% for cadmium, or qualify for an exemption to these limits as defined in the Annexes of Directive 2000/53/EC (ELV). Regarding the REACH Regulation, the information TE provides on SVHC in articles for this part number is based on the latest European Chemicals Agency (ECHA) 'Guidance on requirements for substances in articles' posted at this URL: <https://echa.europa.eu/guidance-documents/guidance-on-reach>

### Compatible Parts

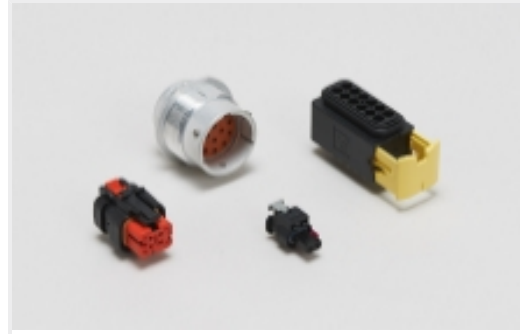




### Also in the Series | DEUTSCH DT



Automotive Connector Caps & Covers (19)



Automotive Housings(737)



Connector Caps & Covers(1)



Connector Strain Relief(31)



Rectangular Backshells & Clamps(3)

### Customers Also Bought



TE Part #1010-079-0206  
SEAL, INTF, 2P, RED-ORG, DTP



TE Part #368401-1  
COVER HSG FOR 40P(SIEMENS)



TE Part #40668  
RING TERMINAL 22-16 AWG BR



TE Part #321121  
TERMINAL,SOLIS FLAG R 4 3/8



TE Part #DT06-6S-EP11  
PLG, 6P, BLK, N, SEAL RET, XCAP



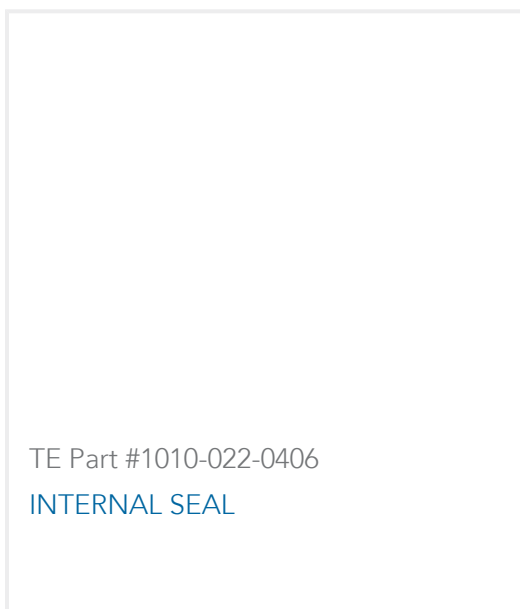
TE Part #HD10-9-96PE  
REC, 9P, GRY, E, FLANGE, 16



TE Part #CAT-D487-SL25  
DEUTSCH DT Retention Sleeves



TE Part #1060-14-0144  
PIN, SF, SIZE 16, 14-18, AU/SN



TE Part #1010-022-0406  
INTERNAL SEAL



## Documents

### Product Drawings

#### WEDGE LOCK

English

---

### CAD Files

#### 3D PDF

3D

#### Customer View Model

[ENG\\_CVM\\_CVM\\_W6S2-P012\\_B.2d\\_dxf.zip](#)

English

#### Customer View Model

[ENG\\_CVM\\_CVM\\_W6S2-P012\\_B.3d\\_igs.zip](#)

English

#### Customer View Model

[ENG\\_CVM\\_CVM\\_W6S2-P012\\_B.3d\\_stp.zip](#)

English

By downloading the CAD file I accept and agree to the [Terms and Conditions](#) of use.

---

### Datasheets & Catalog Pages

#### ICT Terminals and Connectors Catalogue

English

#### CONNECTOR SELECTOR

English

---

### Product Specifications

#### Application Specification

English