

## har-modular M1-module male angled



Image is for illustration purposes only. Please refer to product description.

|                    |   |
|--------------------|---|
| Part number        | 02 51 901 0401  |
| Specification      | har-modular M1-module male angled   |
| HARTING eCatalogue | <a href="https://b2b.harting.com/02519010401">https://b2b.harting.com/02519010401</a> |

### Identification

|                            |                |
|----------------------------|----------------|
| Category                   | Connectors     |
| Series                     | har-modular®   |
| Identification             | M1 module      |
| Element                    | Male connector |
| Description of the contact | Angled         |

### Version

|                     |                                   |
|---------------------|-----------------------------------|
| Width of the module | 10.16 mm                          |
| Connection type     | Motherboard to daughtercard       |
| Number of contacts  | 1                                 |
| Details             | Please order contacts separately. |

### Technical characteristics

|                           |                     |
|---------------------------|---------------------|
| Clearance distance        | 4 mm in the module  |
|                           | 2 mm to module edge |
| Creepage distance         | 4 mm in the module  |
|                           | 2 mm to module edge |
| Insulation resistance     | $>10^{11} \Omega$   |
| Limiting temperature      | -55 ... +125 °C     |
| Insertion force           | $\leq 10$ N         |
| Withdrawal force          | $\leq 10$ N         |
| Mating cycles             | $\geq 500$          |
| Test voltage $U_{r.m.s.}$ | 1.55 kV             |



Pushing Performance  
Since 1945

## Technical characteristics

|                                  |                                    |
|----------------------------------|------------------------------------|
| Isolation group                  | I ( $600 \leq CTI$ )               |
| Hot plugging                     | No                                 |
| Moisture Sensitivity Level (MSL) | 1 acc. to ECA/IPC/JEDEC J-STD-020D |

## Material properties

|   |                      |
|---|----------------------|
| Material                                  | Polyamide (PA)       |
| Material flammability class acc. to UL 94 | V-0                  |
| RoHS                                      | compliant            |
| ELV status                                | compliant            |
| China RoHS                                | e                    |
| REACH Annex XVII substances               | Not contained        |
| REACH ANNEX XIV substances                | Not contained        |
| REACH SVHC substances                     | Not contained        |
| California Proposition 65 substances      | Not contained        |
| Fire protection on railway vehicles       | EN 45545-2 (2020-08) |
| Requirement set with Hazard Levels        | R26                  |

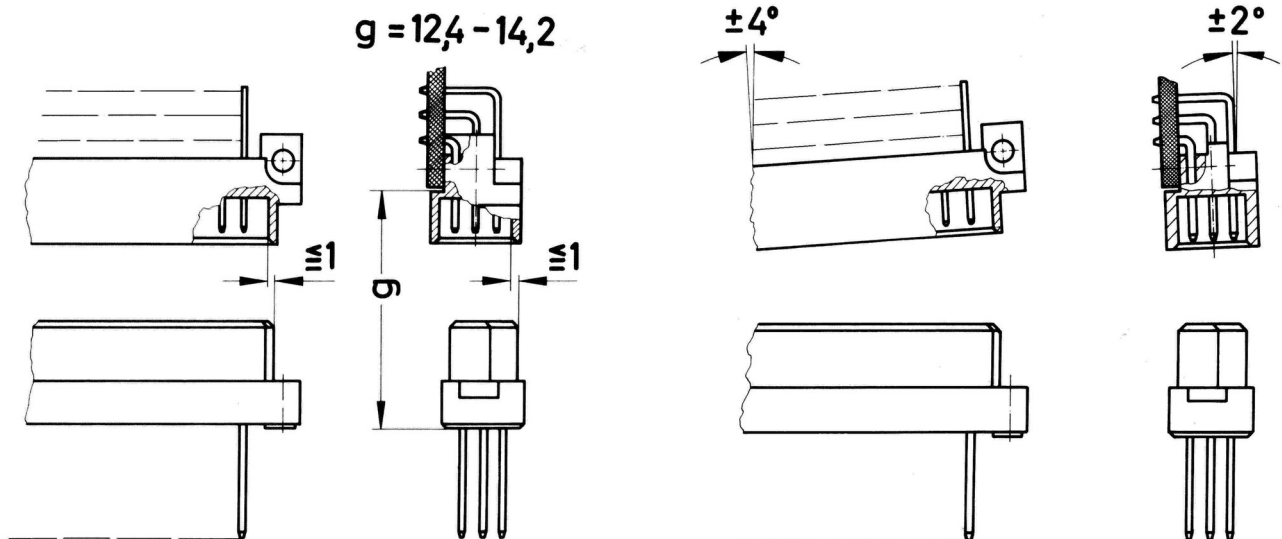
## Specifications and approvals

|                        |  |
|------------------------|--|
| UL / CSA               | UL 1977 ECBT2.E102079<br>CSA-C22.2 No. 182.3 ECBT8.E102079 |
| Railway classification | F1/I2 acc. to NFF 16-101/102                               |

## Commercial data

|                                |  |
|--------------------------------|--|
| Packaging size                 | 20                                       |
| Net weight                     | 0.91 kg                                  |
| Country of origin              | Romania                                  |
| European customs tariff number | 85366990                                 |
| GTIN                           | 5713140197688                            |
| ETIM                           | EC002637                                 |
| eCl@ss                         | 27460201 PCB connector (board connector) |

### Mating conditions



To ensure reliable connections and prevent unnecessary damage, please refer to the application data diagrams. These recommendations are set out in IEC 60603-2. The connectors should not be coupled and decoupled under electrical load.