

(5.08 mm) .200"

PSS SERIES

POWER SOCKET STRIP

SPECIFICATIONS

For complete specifications and recommended PCB layouts see www.samtec.com?PSS

Insulator Material:

Black LCP

Contact Material:

BeCu

Plating:

Sn over 50 μ" (1.27 μm) Ni

Current Rating (PSS/FWS):

11.4 A per pin

(1 pin powered)

Current Rating (PSS/HPM):

11.0 A per pin

(1 pin powered)

Voltage Rating:

625 VAC/884 VDC

Insertion Depth:

(2.62 mm) .103" to

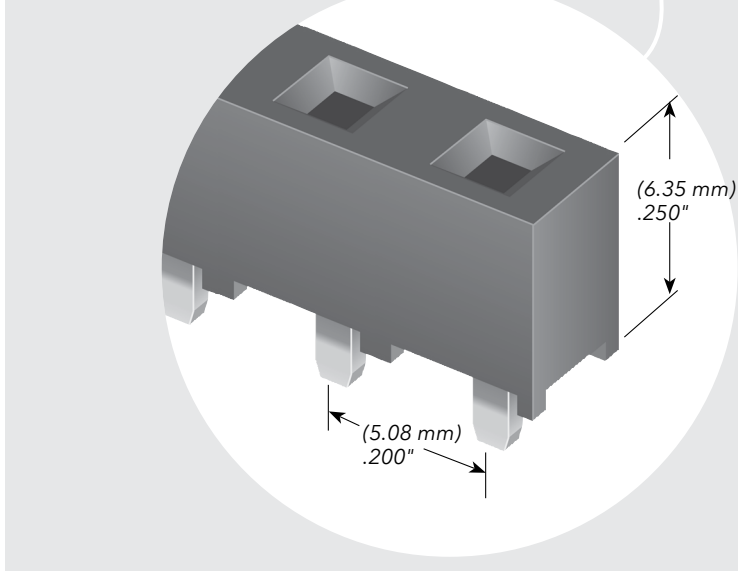
(5.03 mm) .198"

RoHS Compliant:

Yes

Mates with:

FWS, HFWS,
SW, HPM, HPW



PROCESSING

Lead-Free Solderable:

Yes

SMT Lead Coplanarity:

(0.15 mm) .006" max (02-14)*

(0.20 mm) .008" max (15-20)*

*(.004" stencil solution may be available; contact ipg@samtec.com)

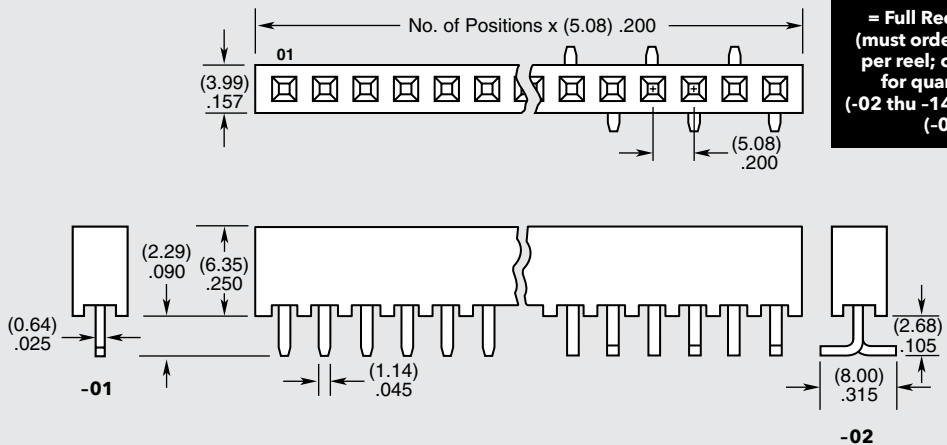
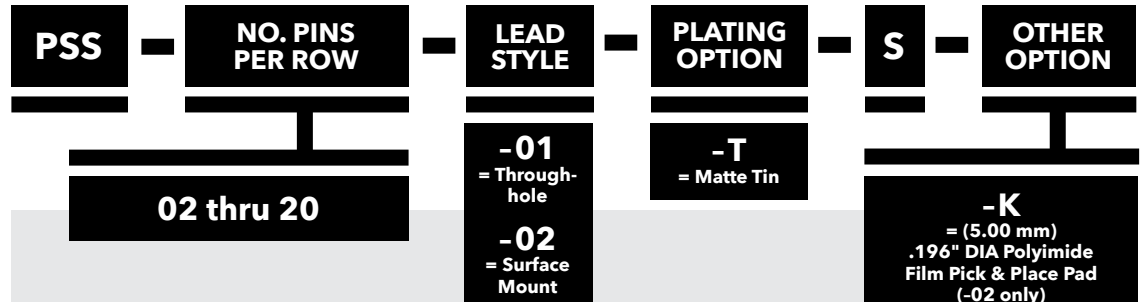
RECOGNITIONS

For complete scope of recognitions see

www.samtec.com/quality



FILE NO. E111594



Note:
Some lengths, styles and options are non-standard, non-returnable.