

SEK-18 SV MA STD STR45PR-IN RLG 64P AUS4

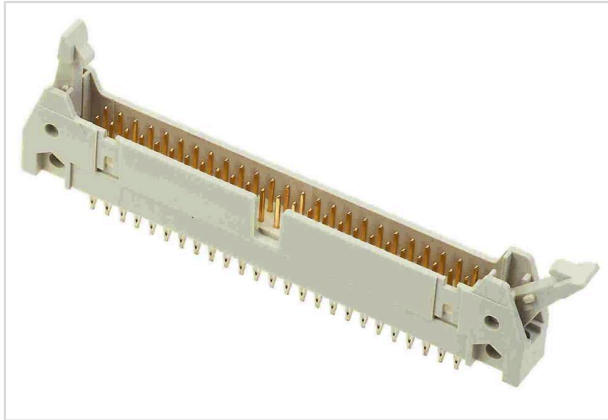


Image is for illustration purposes only. Please refer to product description.

Part number	09 18 564 5909
Specification	SEK-18 SV MA STD STR45PR-IN RLG 64P AUS4
HARTING eCatalogue	https://b2b.harting.com/09185645909

Identification

Category	Connectors
Series	SEK Standard
Element	Male connector
Description of the contact	Straight

Version

Termination method	Press-in termination
Connection type	PCB to cable
Number of contacts	64
Termination length	4.5 mm
Locking type	With long levers

Technical characteristics

Contact rows	2
Contact spacing (termination side)	2.54 mm
Rated current	1 A
Insulation resistance	$>10^9 \Omega$
Contact resistance	$\leq 20 \text{ m}\Omega$
Limiting temperature	-55 ... +105 °C
Insertion force	$\leq 128 \text{ N}$
Withdrawal force	$\leq 128 \text{ N}$
Performance level	NM 30 (S4)
Mating cycles	≥ 250



Technical characteristics

Test voltage $U_{r.m.s.}$	1 kV
Isolation group	IIIa ($175 \leq CTI < 400$)
PCB thickness	≥ 1.6 mm

Material properties

Material (insert)	Thermoplastic resin (PBT)
Colour (insert)	Grey
Material (contacts)	Copper alloy
Surface (contacts)	Noble metal over Ni Mating side Ni Termination side
Layer thickness	≥ 0.76 μ m
Layer thickness	≥ 30 μ inch
Material flammability class acc. to UL 94	V-0
RoHS	compliant
ELV status	compliant
China RoHS	e
REACH Annex XVII substances	Not contained
REACH ANNEX XIV substances	Not contained
REACH SVHC substances	Not contained
California Proposition 65 substances	Yes
California Proposition 65 substances	Lead Nickel
Fire protection on railway vehicles	EN 45545-2 (2020-08)
Requirement set with Hazard Levels	R26

Specifications and approvals

Specifications	IEC 60603-13
UL / CSA	UL 1977 ECBT2.E102079 CSA-C22.2 No. 182.3 ECBT8.E102079
Railway classification	F3/I3

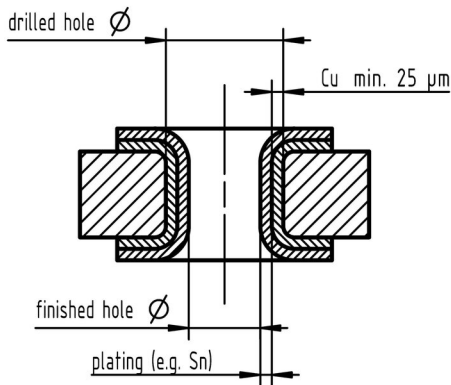
Commercial data

Packaging size	1
Net weight	14.9 g
Country of origin	Czechia

Commercial data

European customs tariff number	85366990
GTIN	5713140035607
ETIM	EC002637
eCl@ss	27460201 PCB connector (board connector)

Recommended configuration of plated through holes



Tin plated PCB (HAL) acc. to EN 60352-5	Drilled hole ϕ	1,15-0,03 mm
	Cu	min. 25 μm
	Sn	max. 15 μm
	plated hole ϕ	0,94 - 1,09 mm
Chemical tin plated PCB	Drilled hole ϕ	1,15-0,03 mm
	Cu	min. 25 μm
	Sn	min. 0,8 μm
	plated hole ϕ	1,00 - 1,10 mm
Gold /Nickel plated PCB	Drilled hole ϕ	1,15-0,03 mm
	Cu	min. 25 μm
	Ni	3 - 7 μm
	Au	0,05 - 0,12 μm
	plated hole ϕ	1,00 - 1,10 mm
Silver plated PCB	Drilled hole ϕ	1,15-0,03 mm
	Cu	min. 25 μm
	Ag	0,1 - 0,3 μm
	plated hole ϕ	1,00 - 1,10 mm
Copper plated PCB (OSP)	Drilled hole ϕ	1,15-0,03 mm
	Cu	min. 25 μm
	plated hole ϕ	1,00 - 1,10 mm

In addition to the hot-air-level (HAL) other pcb surfaces are getting more important. Due to their different properties, such as mechanical strength and coefficient of friction we recommend the above mentioned configuration of pcb through holes.