

YHV280-2PM-P-4MM-A ✓ ACTIVE

HIVONEX

TE Internal #: YHV280-2PM-P-4MM-A

4 Position Housing, Plug, Cable-to-Cable / Wire-to-Wire, 10.4 mm [.409 in] Centerline, Sealable, Orange, Wire & Cable, Power & Signal

[View on TE.com >](#)



Connectors > Automotive Connectors > Automotive Housings



Number of Positions: 4

Connector & Housing Type: **Plug**

Mating Tab Width: .63 mm, 2.8 mm [.024 in, .11 in]

Connector System: **Cable-to-Cable, Wire-to-Wire**

Centerline (Pitch): 10.4 mm [.409 in]

Features

Electrical Characteristics

Operating Voltage	850 VDC
-------------------	---------

Industry Standards

IP Rating	IP6K7, IP6K9K
UL Flammability Rating	UL 94HB

Dimensions

Product Width	27.6 mm[1.09 in]
Product Length	32.9 mm[1.29 in]
Connector Height	68 mm[2.68 in]

Packaging Features

Packaging Quantity	1
Packaging Method	Package

Mechanical Attachment

Strain Relief	With
Terminal Position Assurance	No
Mating Alignment Type	Keyed
Mating Alignment	With
Connector Mounting Type	Cable Mount (Free-Hanging)



Other

Serviceable	Yes
Connector Position Assurance Capable	Yes
EU RoHS Compliance	Compliant
EU ELV Compliance	Compliant

Body Features

Cable Exit Angle	180°
Primary Product Color	Orange
Connector & Keying Code	A

Housing Features

Housing Material	PA 66 GF
Centerline (Pitch)	10.4 mm [.409 in]

Contact Features

Contact Size	2.8mm, .63mm
Contact Type	Receptacle
Mating Tab Width	.63 mm, 2.8 mm [.024 in] [.11 in]

Product Type Features

Mixed & Hybrid Connector	No
Connector Shape	Rectangular
Connector & Housing Type	Plug
Connector System	Cable-to-Cable, Wire-to-Wire
Sealable	Yes
Primary Locking Feature	Integrated in Housing
Connector & Contact Terminates To	Wire & Cable

Configuration Features

Number of Positions	4
Number of Rows	2, 1

Usage Conditions

Operating Temperature (Max)	140 °C [284 °F]
Operating Temperature Range	-40 – 140 °C [-40 – 284 °F]

Operation/Application

Circuit Application	Power & Signal
---------------------	----------------



Product Compliance

[For compliance documentation, visit the product page on TE.com>](#)

EU RoHS Directive 2011/65/EU	Compliant
EU ELV Directive 2000/53/EC	Compliant
China RoHS 2 Directive MIIT Order No 32, 2016	No Restricted Materials Above Threshold
EU REACH Regulation (EC) No. 1907/2006	Current ECHA Candidate List: JUNE 2024 (241) Candidate List Declared Against: JUNE 2024 (241) Does not contain REACH SVHC
Halogen Content	Not Low Halogen - contains Br or Cl > 900 ppm.
Solder Process Capability	Not reviewed for solder process capability

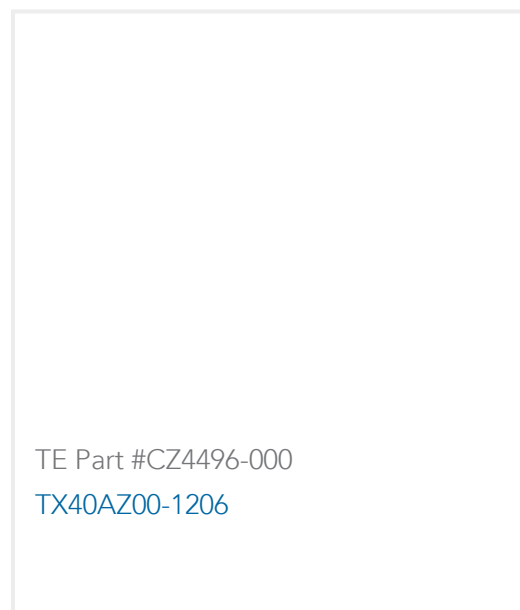
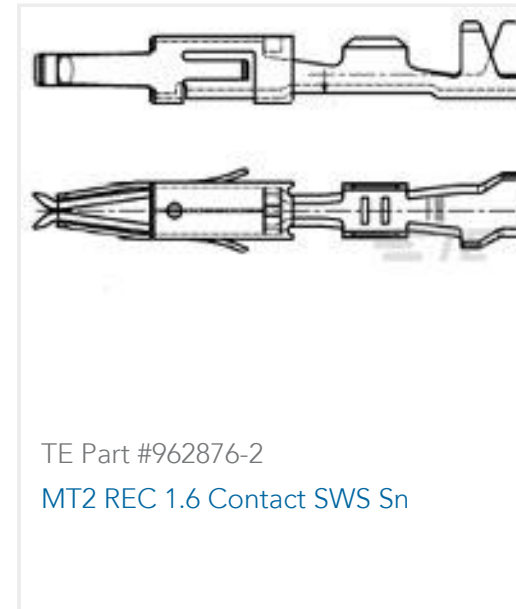
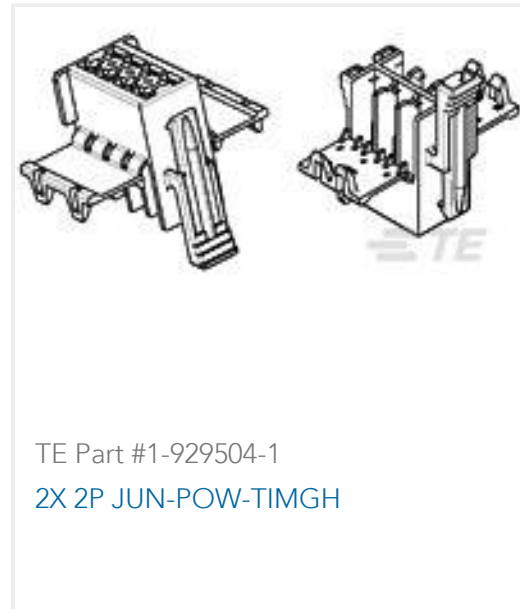
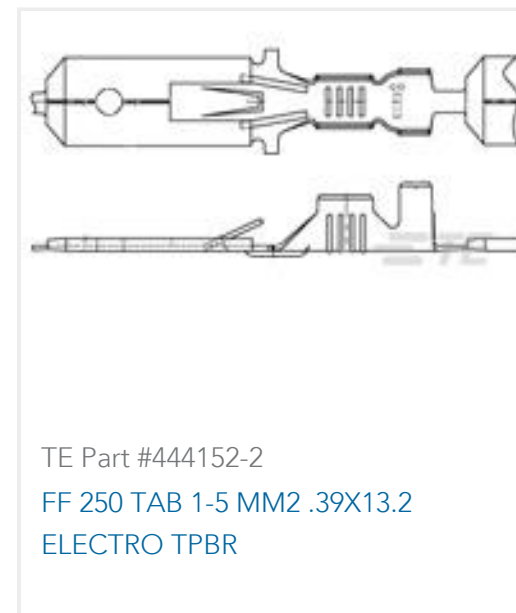
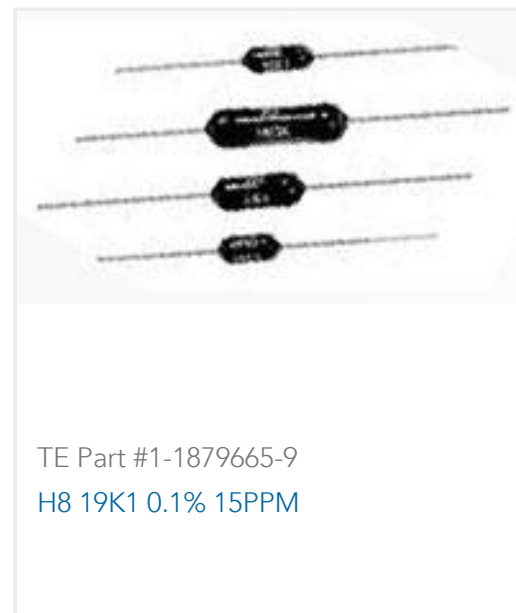
Product Compliance Disclaimer

This information is provided based on reasonable inquiry of our suppliers and represents our current actual knowledge based on the information they provided. This information is subject to change. The part numbers that TE has identified as EU RoHS compliant have a maximum concentration of 0.1% by weight in homogenous materials for lead, hexavalent chromium, mercury, PBB, PBDE, DBP, BBP, DEHP, DIBP, and 0.01% for cadmium, or qualify for an exemption to these limits as defined in the Annexes of Directive 2011/65/EU (RoHS2). Finished electrical and electronic equipment products will be CE marked as required by Directive 2011/65/EU. Components may not be CE marked. Additionally, the part numbers that TE has identified as EU ELV compliant have a maximum concentration of 0.1% by weight in homogenous materials for lead, hexavalent chromium, and mercury, and 0.01% for cadmium, or qualify for an exemption to these limits as defined in the Annexes of Directive 2000/53/EC (ELV). Regarding the REACH Regulation, the information TE provides on SVHC in articles for this part number is based on the latest European Chemicals Agency (ECHA) 'Guidance on requirements for substances in articles' posted at this URL: <https://echa.europa.eu/guidance-documents/guidance-on-reach>

Compatible Parts



Customers Also Bought



Documents

Product Drawings

[HVA280-2PHM,PASS,4SQMM,KEY A](#)

English

CAD Files

[3D PDF](#)

3D

Customer View Model

[ENG_CVM_CVM_YHV280-2PM-P-4MM-A_A.2d_dxf.zip](#)

English

Customer View Model

[ENG_CVM_CVM_YHV280-2PM-P-4MM-A_A.3d_igs.zip](#)

English

Customer View Model

[ENG_CVM_CVM_YHV280-2PM-P-4MM-A_A.3d_stp.zip](#)

English

By downloading the CAD file I accept and agree to the [Terms and Conditions](#) of use.

Datasheets & Catalog Pages

YHV280-2PM-P-4MM-A

4 Position Housing, Plug, Cable-to-Cable / Wire-to-Wire, 10.4 mm [.409 in] Centerline,
Sealable, Orange, Wire & Cable, Power & Signal



HIVONEX CONNECTORS & CHARGING SOLUTIONS

English

HEMS Sample Kit YHV280-2pm-p-4mm-A

English