

YHVA280-2PHI-4MM-B ✓ ACTIVE

HIVONEX

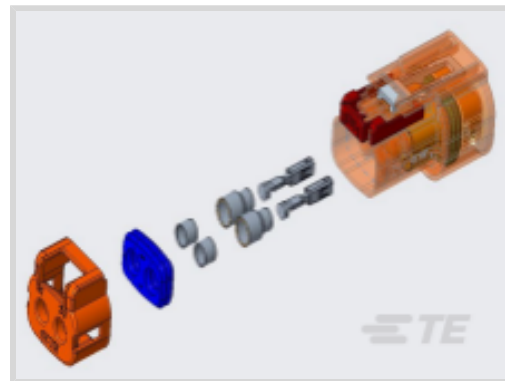
TE Internal #: YHVA280-2PHI-4MM-B

2 Position Housing, Plug, Cable-to-Cable / Wire-to-Wire, 10.4 mm [.409 in] Centerline, Sealable, Orange, Wire & Cable, Power

[View on TE.com >](#)



Connectors > Automotive Connectors > Automotive Housings



Number of Positions: 2

Connector & Housing Type: **Plug**

Mating Tab Width: 2.8 mm [.11 in]

Connector System: **Cable-to-Cable, Wire-to-Wire**

Centerline (Pitch): 10.4 mm [.409 in]

Features

Electrical Characteristics

Operating Voltage	1000 VDC
-------------------	----------

Industry Standards

IP Rating	IP6K9K
-----------	--------

UL Flammability Rating	UL 94HB
------------------------	---------

Dimensions

Product Width	26.4 mm[1.04 in]
---------------	------------------

Product Length	32.9 mm[1.29 in]
----------------	------------------

Connector Height	51.2 mm[2.01 in]
------------------	------------------

Packaging Features

Packaging Method	Package
------------------	---------

Packaging Quantity	1
--------------------	---

Mechanical Attachment

Strain Relief	Without
---------------	---------

Terminal Position Assurance	No
-----------------------------	----

Mating Alignment Type	Keyed
-----------------------	-------

Mating Alignment	With
------------------	------

Connector Mounting Type	Cable Mount (Free-Hanging)
-------------------------	----------------------------



Other

Serviceable	No
Connector Position Assurance Capable	Yes
EU RoHS Compliance	Compliant
EU ELV Compliance	Compliant

Body Features

Cable Exit Angle	180°
Primary Product Color	Orange
Connector & Keying Code	B

Housing Features

Housing Material	PA 66 GF30
Centerline (Pitch)	10.4 mm [.409 in]

Contact Features

Contact Size	2.8mm
Contact Type	Receptacle
Mating Tab Width	2.8 mm [.11 in]

Product Type Features

Mixed & Hybrid Connector	No
Connector & Housing Type	Plug
Connector System	Cable-to-Cable, Wire-to-Wire
Sealable	Yes
Primary Locking Feature	Integrated in Housing
Connector & Contact Terminates To	Wire & Cable

Configuration Features

Number of Positions	2
Number of Rows	1

Usage Conditions

Operating Temperature (Max)	125 °C [257 °F]
Operating Temperature Range	-40 – 125 °C [-40 – 257 °F]

Operation/Application

Circuit Application	Power
---------------------	-------



Product Compliance

[For compliance documentation, visit the product page on TE.com>](#)

EU RoHS Directive 2011/65/EU	Compliant
EU ELV Directive 2000/53/EC	Compliant
China RoHS 2 Directive MIIT Order No 32, 2016	No Restricted Materials Above Threshold
EU REACH Regulation (EC) No. 1907/2006	Current ECHA Candidate List: JUNE 2024 (241) Candidate List Declared Against: JUNE 2024 (241) Does not contain REACH SVHC
Halogen Content	Not Low Halogen - contains Br or Cl > 900 ppm.
Solder Process Capability	Not reviewed for solder process capability

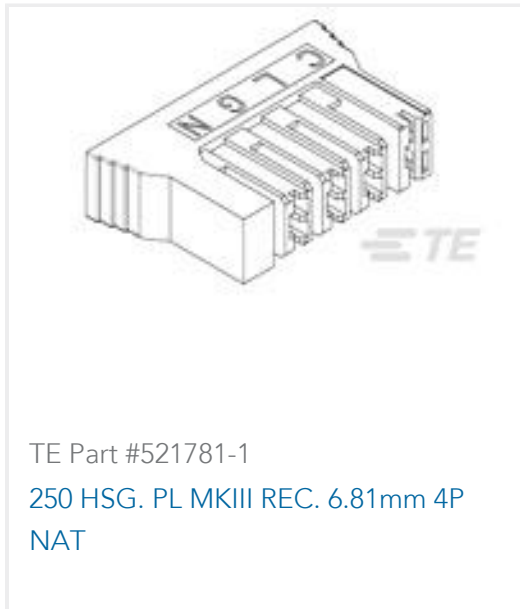
Product Compliance Disclaimer

This information is provided based on reasonable inquiry of our suppliers and represents our current actual knowledge based on the information they provided. This information is subject to change. The part numbers that TE has identified as EU RoHS compliant have a maximum concentration of 0.1% by weight in homogenous materials for lead, hexavalent chromium, mercury, PBB, PBDE, DBP, BBP, DEHP, DIBP, and 0.01% for cadmium, or qualify for an exemption to these limits as defined in the Annexes of Directive 2011/65/EU (RoHS2). Finished electrical and electronic equipment products will be CE marked as required by Directive 2011/65/EU. Components may not be CE marked. Additionally, the part numbers that TE has identified as EU ELV compliant have a maximum concentration of 0.1% by weight in homogenous materials for lead, hexavalent chromium, and mercury, and 0.01% for cadmium, or qualify for an exemption to these limits as defined in the Annexes of Directive 2000/53/EC (ELV). Regarding the REACH Regulation, the information TE provides on SVHC in articles for this part number is based on the latest European Chemicals Agency (ECHA) 'Guidance on requirements for substances in articles' posted at this URL: <https://echa.europa.eu/guidance-documents/guidance-on-reach>

Compatible Parts



Customers Also Bought



Documents

Product Drawings

[HVA280-2phi XE,4sqmm,Key B](#)

English

CAD Files

[3D PDF](#)

3D

Customer View Model

[ENG_CVM_CVM_YHVA280-2PHI-4MM-B_A.2d_dxf.zip](#)

English

Customer View Model

[ENG_CVM_CVM_YHVA280-2PHI-4MM-B_A.3d_igs.zip](#)

English

Customer View Model

[ENG_CVM_CVM_YHVA280-2PHI-4MM-B_A.3d_stp.zip](#)

English

By downloading the CAD file I accept and agree to the [Terms and Conditions](#) of use.

Datasheets & Catalog Pages



HIVONEX CONNECTORS & CHARGING SOLUTIONS

English

HEMS Sample Kit YHVA280-2phi-4mm-B

English

Product Specifications

Application Specification

English