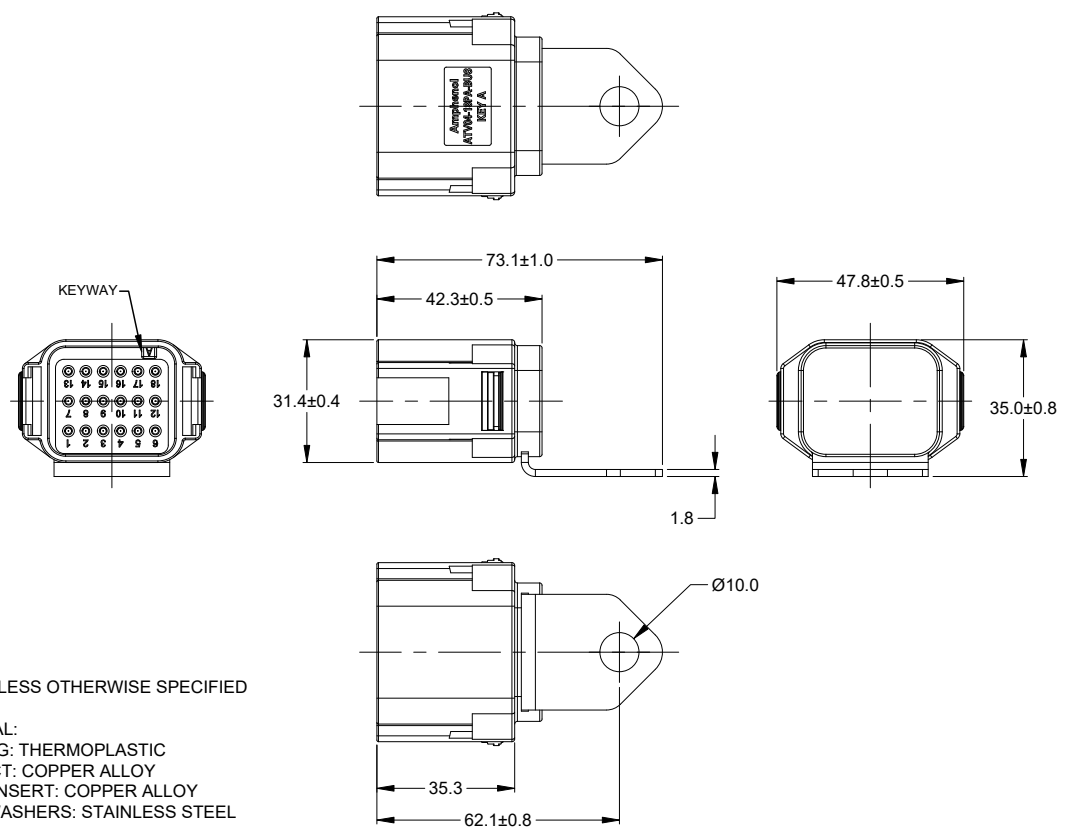
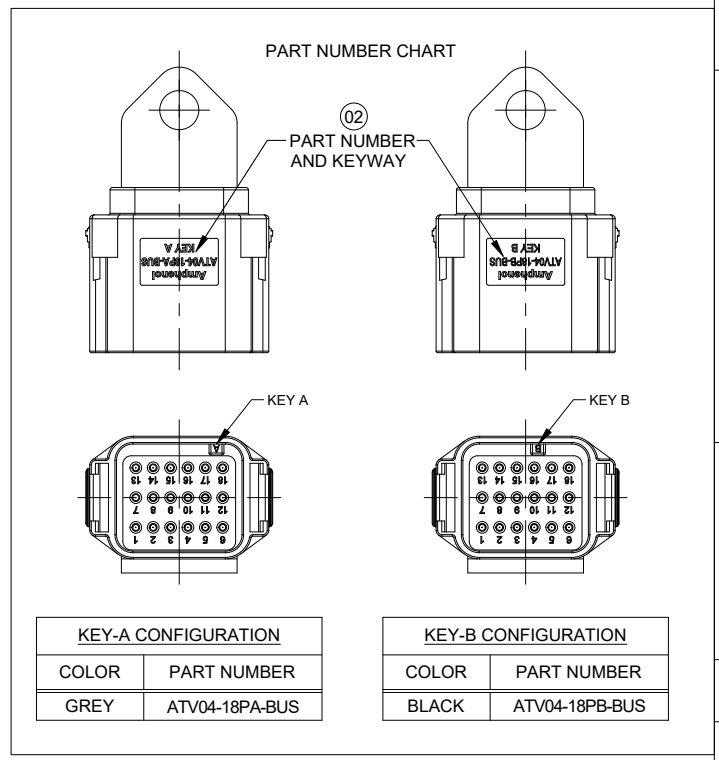
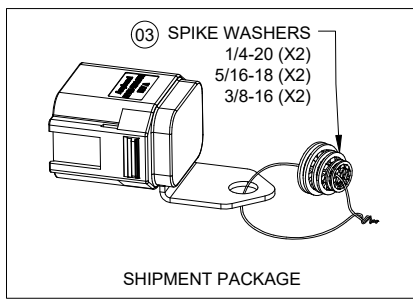


REVISIONS					
REV	ECO	DESCRIPTION	DATE	BY	APPR
01	-	PRELIMINARY DRAWING	15AUG18	SULLEN	TOMMY
02	-	UPDATE DRAWING	30AUG18	SULLEN	TOMMY
03	-	UPDATE DRAWING	21FEB19	SULLEN	TOMMY
04	-	IP68 WAS IP67 TO MATCH TEST	21FEB19	JHEAD	BRETT



NOTES: UNLESS OTHERWISE SPECIFIED

- MATERIAL:  
HOUSING: THERMOPLASTIC  
CONTACT: COPPER ALLOY  
METAL INSERT: COPPER ALLOY  
SPIKE WASHERS: STAINLESS STEEL
- MODIFICATIONS: GROUNDING BUSS
- SPECIFICATIONS:  
3.1 CURRENT RATING: 230 AMPS  
3.2 OPERATING TEMPERATURE: -55°C TO +125°C  
3.3 INSULATION RESISTANCE: 1000 MEGOHMS MIN @ 25°C  
3.4 MOISTURE RESISTANCE: IP68 ( MATED CONDITION )  
3.5 MATING CYCLE DURABILITY: 100 CYCLES  
3.6 RoHS COMPLIANT
- MATING PART: ATV06-18SX\* PLUG  
( X = A,B KEYS ; \* = MODIFICATIONS AND COLORS)
- ALL DIMENSIONS ARE FOR REFERENCE USE ONLY



SEE PART NUMBER CHART		DESCRIPTION	ITEM
QUANTITY	PART NUMBER	MATERIALS LIST	
UNLESS OTHERWISE SPECIFIED		<p><b>Amphenol</b></p> <p>Sine Systems - www.amphenol-sine.com 44724 Morley Drive Clinton Township, MI 48036</p> <p>RECEPTACLE, 18 PIN, BUSS, ATV SERIES</p>	
1) All dimensions are in metric(mm).			
2) Tolerances are as follows:			
3) Note reference =			
DRAWN: SULLENZHANG 21FEB19		SIZE	TYPE
CHECKED: ORIONLI 21FEB19		B	C-
ENGINEER:		DWG NO.	REVISION
APPROVAL: TOMMY.XIE 21FEB19		ATV04-18PX-BUS	04
CUSTOMER:		SCALE	SHEET 1 OF 1
MATERIAL SPECIFICATIONS:		NONE	
PROCESS SPECIFICATIONS:		THIS DRAWING IS SUPPLIED FOR INFORMATION ONLY. DESIGN FEATURES, SPECIFICATIONS AND PERFORMANCE DATA SHOWN HEREON ARE THE PROPERTY OF THE AMPHENOL CORPORATION. NO RIGHTS OF REPRODUCTION ARE IMPLIED. ALL DIMENSIONS ARE SUBJECT TO NORMAL MANUFACTURING VARIATIONS.	
NEXT ASSY:			

TITLE: RECEPTACLE, 18 PIN, BUSS, ATV SERIES  
DWG NO.: ATV04-18PX-BUSS  
REV: 04  
SH: 1  
OF: 1