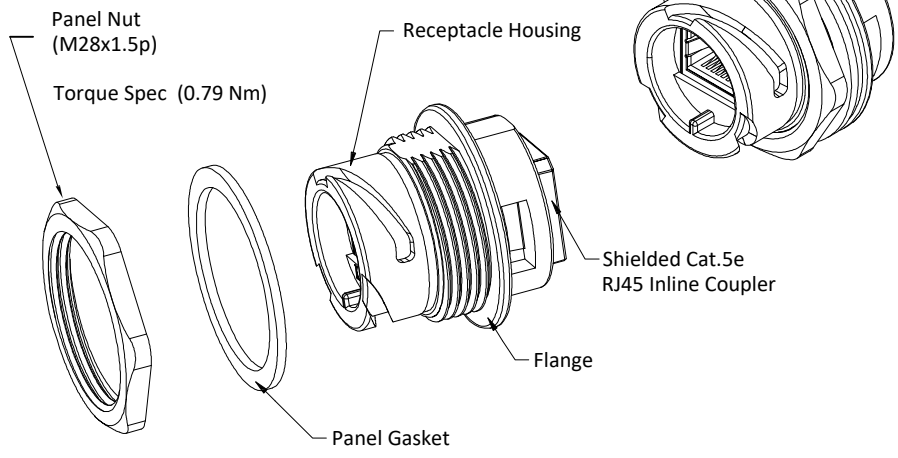


Panel Cut-Out



Electrical Specifications:

- Meets EIA/TIA - 568 - B.2 Cat.5e Specification
- Contact Resistance: 20 mOhm max
- Insulation Resistance: 500 MOhm min @100V DC
- Current Rating: 1.5A max
- Voltage Rating: 100VDC
- DWV: 1000V DC/60s min Contact to Contact, 1500V DC/60s Contact to Metal Shell
- Operating Temperature: 0°C TO +85°C

Material and Finish:

- Receptacle Housing: Zn Alloy 3, Nickel Plated
- Panel Nut: Copper Alloy, Nickel Plated
- Panel Gasket: Silicone
- RJ45 Jack Metal Shell: Copper Alloy, Nickel Plated
- RJ45 Jack Plastic Housing: Engineering Thermoplastic Flammability Rating UL94 V-0
- Color: Black
- RJ45 Jack Contact: Phosphor Bronze, finish: 50u" Gold over Nickel

Connector can be front mounted to a maximum panel thickness of 3.2mm.

RoHS COMPLIANT



THESE DRAWINGS AND SPECIFICATIONS ARE THE PROPERTY OF NorComp AND SHALL NOT BE REPRODUCED, COPIED OR USED AS THE BASIS FOR THE MANUFACTURE OR SALE OF APPARATUS WITHOUT WRITTEN PERMISSION.

DRAWN:
M. SIGMON
DATE:
05/10/2013

UNITS = mm

DO NOT SCALE FROM DRAWING

NorComp

SCALE: NTS	SHEET 1	OF 1	REV 5
DWG NO.		IPRJCONN-M	