

Han TC100-M-M6, short

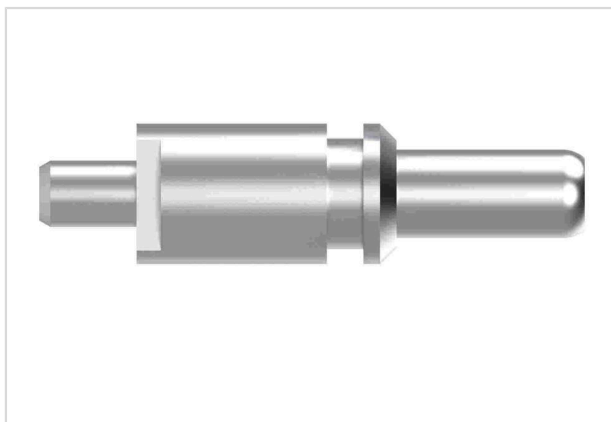


Image is for illustration purposes only. Please refer to product description.

Part number	09 11 000 6115
Specification	Han TC100-M-M6, short
HARTING eCatalogue	https://harting.com/09110006115

Identification

Category	Contacts
Type of contact	Screw contact
Description of the contact	M6 Short version

Version

Termination method	Screw termination
Gender	Male
Manufacturing process	Turned contacts

Technical characteristics

Conductor cross-section	35 mm ²
Rated current	≤100 A
Contact resistance	≤0.3 mΩ
Tightening torque	4 Nm
Limiting temperature	-40 ... +125 °C
Mating cycles	≥500

Material properties

Material (contacts)	Copper alloy
Surface (contacts)	Silver plated
RoHS	compliant with exemption
RoHS exemptions	6(c): Copper alloy containing up to 4 % lead by weight



Pushing Performance
Since 1945

Material properties

ELV status	compliant with exemption
China RoHS	50
REACH Annex XVII substances	Not contained
REACH ANNEX XIV substances	Not contained
REACH SVHC substances	Yes
REACH SVHC substances	Lead
ECHA SCIP number	b51e5b97-eeb5-438b-8538-f1771d43c17d
California Proposition 65 substances	Yes
California Proposition 65 substances	Lead Nickel

Specifications and approvals

Specifications	IEC 60664-1 IEC 61984
----------------	--------------------------

Commercial data

Packaging size	10
Net weight	30.66 g
Country of origin	Germany
European customs tariff number	85366990
GTIN	5713140188525
ETIM	EC000796
eCl@ss	27440204 Contact for industrial connectors