

High Current Unshielded, SMD Power Inductors



4.5 x 4.0 x 3.2mm

ASPI-0403H

MSL level: 1



RoHS/RoHS II compliant

FEATURES:

- Suitable for RoHS reflow profile
- High current rating and low DCR
- 3.2mm height profile
- Target lower Inductance range
- Special lead wire design to prevent open circuit failure
- Excellent terminal strength to mechanical stress

APPLICATIONS:

- OA equipments
- PC and notebook
- LCD TV set
- Power supply

ELECTRICAL SPECIFICATIONS:

Abracon P/N:	ASPI-0403H Series
Operating Temperature:	-40°C to +125°C
Storage Temperature:	-10°C to +40°C

PART NUMBER	INDUCTANCE (uH)	Tolerance	DCR(Ω) max	IDC (A) max	Inductance Code
ASPI-0403H-1R0	1.0	M	0.033	3.80	1R0
ASPI-0403H-1R4	1.4	M	0.037	3.30	1R4
ASPI-0403H-1R8	1.8	M	0.041	2.91	1R8
ASPI-0403H-2R2	2.2	M	0.047	2.60	2R2
ASPI-0403H-2R7	2.7	M	0.052	2.43	2R7
ASPI-0403H-3R3	3.3	M	0.058	2.15	3R3
ASPI-0403H-3R9	3.9	M	0.064	1.98	3R9
ASPI-0403H-4R7	4.7	M	0.071	1.77	4R7
ASPI-0403H-5R6	5.6	M	0.101	1.60	5R6
ASPI-0403H-6R8	6.8	K	0.117	1.40	6R8
ASPI-0403H-8R2	8.2	K	0.132	1.26	8R2
ASPI-0403H-100	10	K	0.182	1.15	100
ASPI-0403H-120	12	K	0.210	1.05	120
ASPI-0403H-150	15	K	0.235	0.92	150
ASPI-0403H-180	18	K	0.338	0.84	180
ASPI-0403H-220	22	K	0.372	0.76	220
ASPI-0403H-270	27	K	0.422	0.71	270
ASPI-0403H-330	33	K	0.540	0.64	330
ASPI-0403H-390	39	K	0.587	0.59	390
ASPI-0403H-470	47	K	0.844	0.54	470
ASPI-0403H-560	56	K	0.937	0.46	560
ASPI-0403H-680	68	K	1.170	0.48	680
ASPI-0403H-820	82	K	1.20	0.30	820

Test Conditions

Inductance: Test Frequency: 100kHz

Isat: $\Delta L/L$ (initial) \geq -10% or $\Delta T=40^\circ C$ ($T_a=20^\circ C$), whichever is lower.

Test Equipment: UC1068B

OPTIONS AND PART IDENTIFICATION

ASPI-0403H-

Inductance Code
Please refer to the table above

Tolerance %
K: $\pm 10\%$
M: $\pm 20\%$

Packaging
T: Tape and Reel (2Kpcs / reel)

High Current Unshielded, SMD Power Inductors

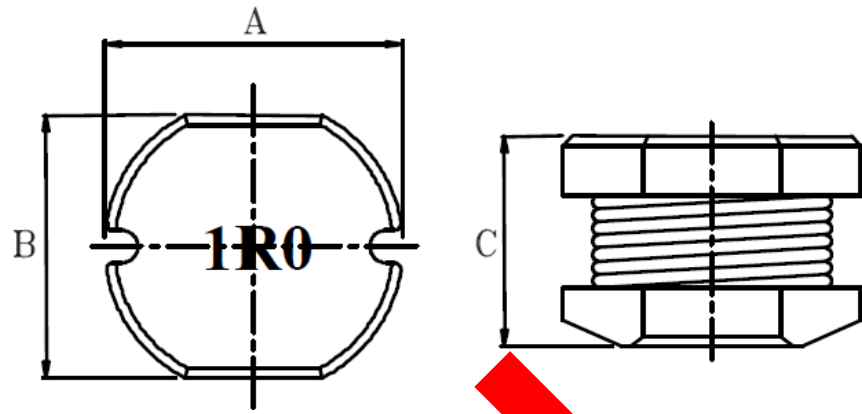


4.5 x 4.0 x 3.2mm

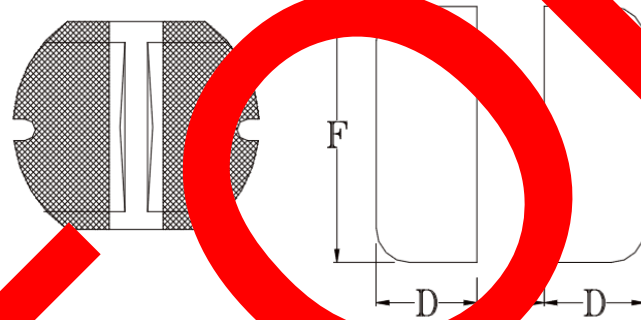
ASPI-0403H

RoHS/RoHS II compliant

OUTLINE DRAWING:



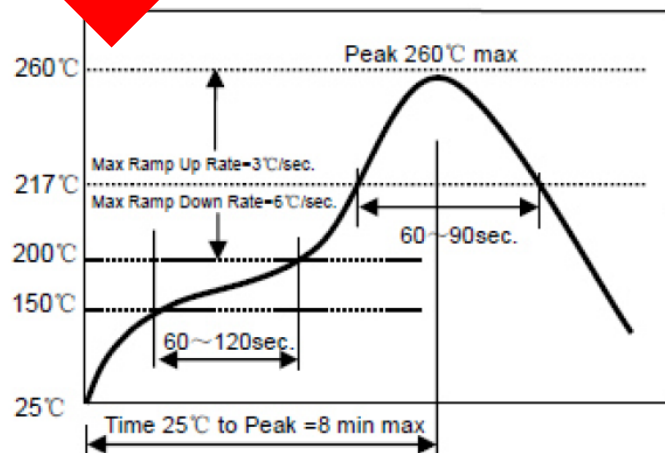
Recommended Land Pattern



A	B	C	D	E	F
4.5±0.3	4.0±0.3	3.2±0.30	1.80	1.50	4.50

Dimension: mm

REFLOW PROFILE:



High Current Unshielded, SMD Power Inductors



4.5 x 4.0 x 3.2mm

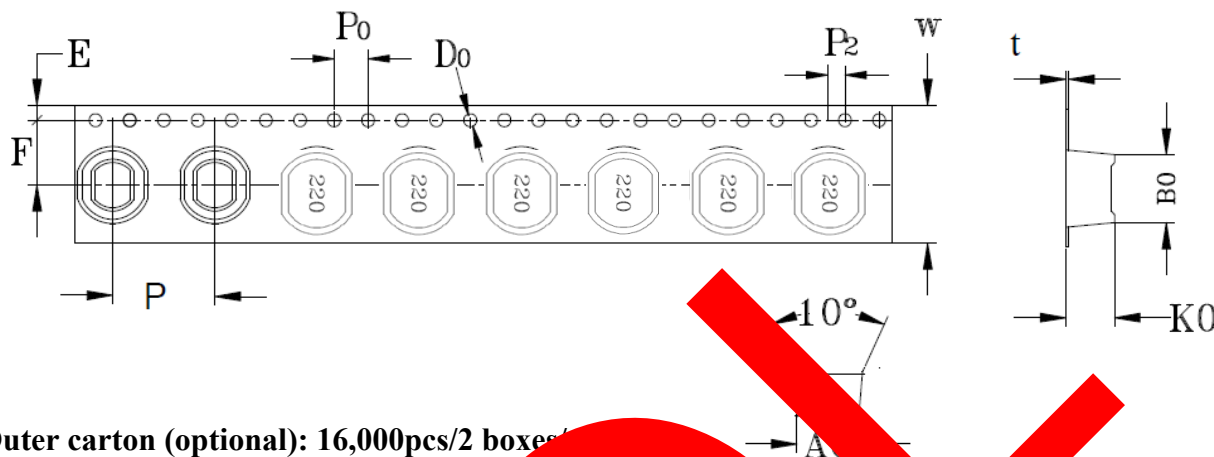
ASPI-0403H



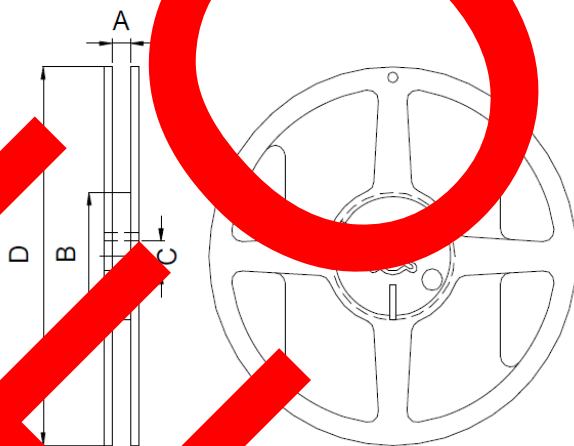
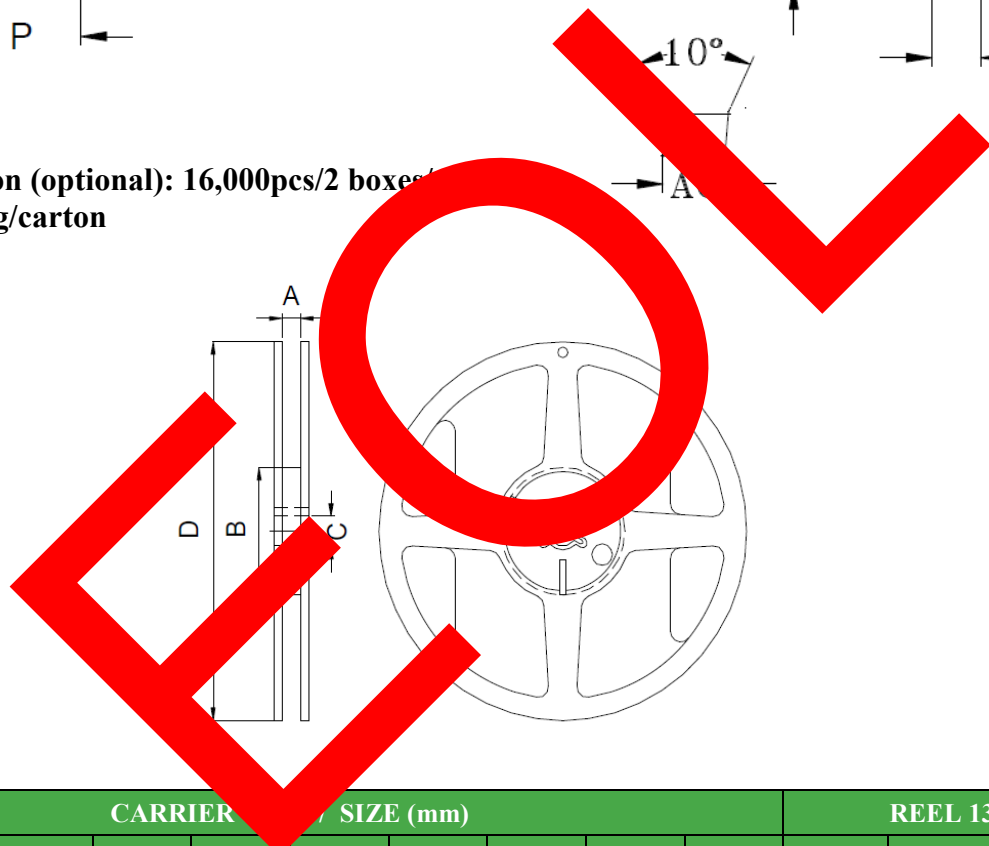
RoHS/RoHS II compliant

TAPE & REEL:

Packing 2,000pcs / tape & reel, 8,000pcs / 4 reels / box
Weight: 0.26 grams / pcs



Outer carton (optional): 16,000pcs/2 boxes
GW: 12.8kg/carton



CARRIER TAPE SIZE (mm)										REEL 13"×24mm			
A0	B0	K0	F	E	W	P	P0	P2	t	A	B	C	D
4.25 ± 0.1	4.8 ± 0.1	3.6 ± 0.1	5.5 ± 0.1	1.75 ± 0.1	12 ± 0.3	8 ± 0.1	4 ± 0.1	2 ± 0.1	0.4 ± 0.05	12.4 ± 0.2	100 ± 0.5	13.0 ± 0.2	330 ± 2.0

Dimension: mm

ATTENTION Abracon Corporation's products are COTS – Commercial-Off-The-Shelf products; suitable for Commercial, Industrial and, where designated, Automotive Applications. Abracon's products are not specifically designed for Military, Aviation, Aerospace, Life-dependant Medical applications or any application requiring high reliability where component failure could result in loss of life and/or property. For applications requiring high reliability and/or presenting an extreme operating environment, written consent and authorization from Abracon Corporation is required. Please contact Abracon Corporation for more information.



2 Faraday, Suite# B | Irvine | CA 92618 **Revised: 11.09.15**
 Ph. 949.546.8000 | Fax. 949.546.8001
 Visit www.abracon.com for Terms and Conditions of Sale