

DESCRIPTION: MACHINED MICRO-D // VERTICAL SOLDER // FEMALE

**SPECIFICATIONS:**

**MATERIALS:**

INSULATOR: LCP, UL94 V-0, BLACK  
 CONTACTS: 15µ" GOLD PLATED BRASS  
 SHELL: NICKEL PLATED ZINC ALLOY 60µ"-100µ"

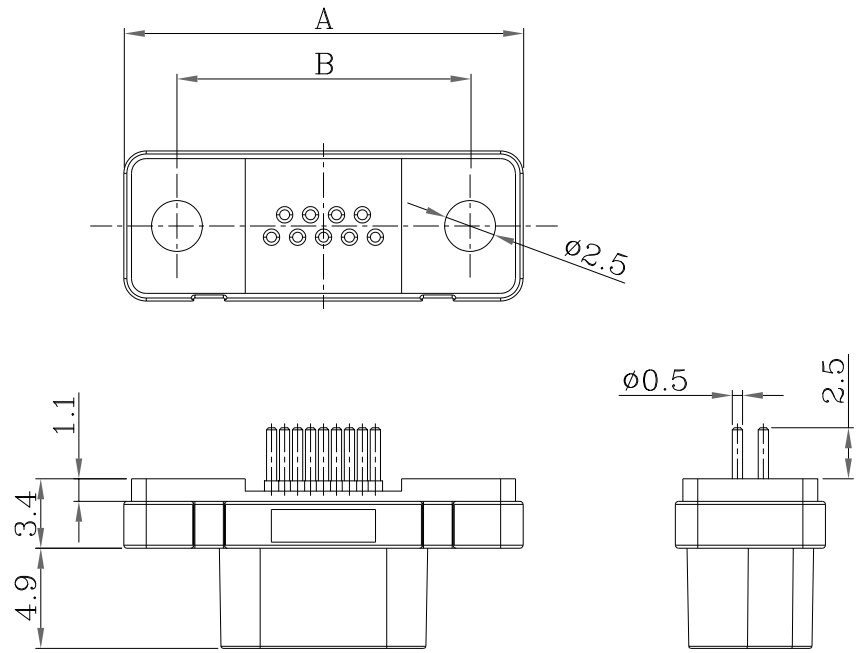
**ELECTRICAL:**

RATED CURRENT: 2A  
 RATED VOLTAGE: 60VDC  
 D.W.V.: 630 VAC for 1 min.  
 INSULATION RESISTANCE: 1000 MOhms MIN.  
 CONTACT RESISTANCE: 30 mOhms MAX.

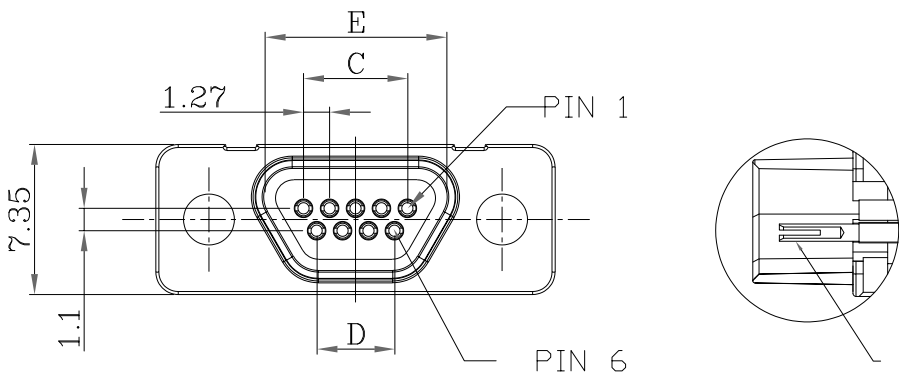
**ENVIRONMENT:**

OPERATING TEMPERATURE: -40°C TO +125°C  
 PROCESS TEMPERATURE: 260°C

\*NOT DESIGNED TO MATE WITH NORCOMP 380 // 381 // 960 SERIES & NORCOMP MICRO-D CABLE ASSEMBLIES USING THE 960 SERIES CONNECTORS.  
 \*\*DESIGNED TO MATE WITHIN NORCOMP 58Y-M SERIES MICRO-D CONNECTORS

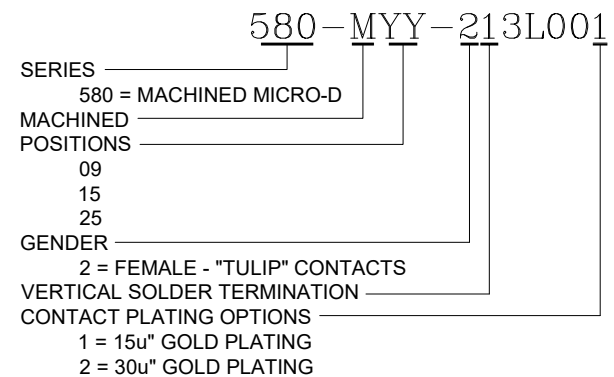


DIMENSIONS(mm)					
SIZE	A	B	C	D	E
9	19.55	14.35	5.08	3.81	8.90
15	23.36	18.20	8.89	7.62	12.60
25	29.70	24.55	15.24	13.97	19.20



USE ABOVE FRONT FACE DIMENSIONS FOR PCB LAYOUT DESIGN. Ø0.8mm HOLE SIZE IS RECOMMENDED.

EXPOSED TULIP CONTACT



RoHS COMPLIANT



THESE DRAWINGS AND SPECIFICATIONS ARE THE PROPERTY OF NorComp AND SHALL NOT BE REPRODUCED, COPIED OR USED AS THE BASIS FOR THE MANUFACTURE OR SALE OF APPARATUS WITHOUT WRITTEN PERMISSION.

DRAWN: J. KADEL  
 DATE: 05/14/2020

TOLERANCES  
 .x ±0.20  
 .xx ±0.10  
 .xxx ±0.05  
 .xxxx ±0.03  
 ANGULAR ±1°

UNITS = mm

DO NOT SCALE FROM DRAWING



SCALE: NTS  
 SHEET 1 OF 1  
 REV 9  
 DWG NO. 580-MYY-213L001