

845240004 ✓ ACTIVE



DEUTSCH

TE Internal #: 1-2600020-2

Pin Terminal, Nickel (Ni), 1.56 mm [.061 in] Pin Diameter, 16 – 18

AWG, 1.31 – .82 mm<sup>2</sup> Wire, Terminates To Wire, 21.79 mm [.857 in]

Tab Length

[View on TE.com >](#)

Terminals & Splices > Automotive Terminals



Terminal Type: **Pin**

Interface Plating: **Nickel (Ni)**

Mating Pin Diameter: **1.56 mm [.061 in]**

Terminal Transmits: **0 – 24 A (Low Power)**

Wire Size: **16 – 18 AWG**

**Features**

**Operation/Application**

Compatible With Wire Base Material

Copper

**Packaging Features**

Packaging Method

Reel

Packaging Quantity

3000

**Usage Conditions**

Insulation Option

Uninsulated

Operating Temperature (Max)

125 °C[257 °F]

Operating Temperature Range

-40 – 125 °C[-40 – 257 °F]

**Termination Features**

Termination Method to Wire & Cable

Crimp



Product Terminates To

Wire

### Contact Features

Typical Current Rating	10 A
Crimp Type	F-Crimp
Contact Size	Size 16
Contact Fabrication	Stamped & Formed
Terminal Type	Pin
Interface Plating	Nickel (Ni)
Mating Pin Diameter	1.56 mm [.061 in]

### Product Type Features

Primary Locking Feature	Clean Body
-------------------------	------------

### Dimensions

Wire Size	1.31 – .82 mm <sup>2</sup>
Wire Size Search	1.25 mm <sup>2</sup> , 1 mm <sup>2</sup> , .75 mm <sup>2</sup>
Tab Length	21.79 mm [.857 in]

### Other

Terminal Transmits	0 – 24 A (Low Power)
EU RoHS Compliance	Compliant
EU ELV Compliance	Compliant

### Product Compliance

[For compliance documentation, visit the product page on TE.com>](#)

EU RoHS Directive 2011/65/EU	Compliant
EU ELV Directive 2000/53/EC	Compliant
China RoHS 2 Directive MIIT Order No 32, 2016	No Restricted Materials Above Threshold
EU REACH Regulation (EC) No. 1907/2006	Current ECHA Candidate List: JUNE 2024 (241) Candidate List Declared Against: JUNE 2024 (241) Does not contain REACH SVHC
Halogen Content	Low Halogen - Br, Cl, F, I < 900 ppm per homogenous material. Also BFR/CFR/PVC Free
Solder Process Capability	Not reviewed for solder process capability

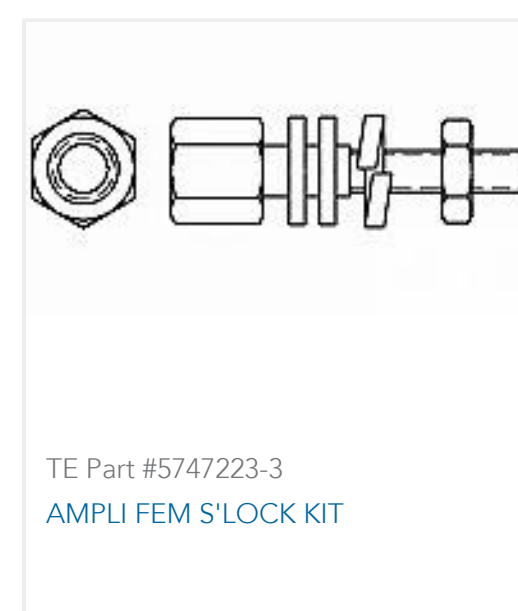
## Product Compliance Disclaimer

This information is provided based on reasonable inquiry of our suppliers and represents our current actual knowledge based on the information they provided. This information is subject to change. The part numbers that TE has identified as EU RoHS compliant have a maximum concentration of 0.1% by weight in homogenous materials for lead, hexavalent chromium, mercury, PBB, PBDE, DBP, BBP, DEHP, DIBP, and 0.01% for cadmium, or qualify for an exemption to these limits as defined in the Annexes of Directive 2011/65/EU (RoHS2). Finished electrical and electronic equipment products will be CE marked as required by Directive 2011/65/EU. Components may not be CE marked. Additionally, the part numbers that TE has identified as EU ELV compliant have a maximum concentration of 0.1% by weight in homogenous materials for lead, hexavalent chromium, and mercury, and 0.01% for cadmium, or qualify for an exemption to these limits as defined in the Annexes of Directive 2000/53/EC (ELV). Regarding the REACH Regulation, the information TE provides on SVHC in articles for this part number is based on the latest European Chemicals Agency (ECHA) 'Guidance on requirements for substances in articles' posted at this URL: <https://echa.europa.eu/guidance-documents/guidance-on-reach>

## Compatible Parts



## Customers Also Bought





## Documents

### Product Drawings

[XRC PIN TERMINAL 16-18AWG Ni Plated](#)

English

### CAD Files

[3D PDF](#)

3D

Customer View Model

[ENG\\_CVM\\_CVM\\_1-2600020-2\\_1.2d\\_dxf.zip](#)

English

Customer View Model

[ENG\\_CVM\\_CVM\\_1-2600020-2\\_1.3d\\_igs.zip](#)

English

Customer View Model

[ENG\\_CVM\\_CVM\\_1-2600020-2\\_1.3d\\_stp.zip](#)

English

By downloading the CAD file I accept and agree to the [Terms and Conditions](#) of use.

### Product Specifications

[Application Specification](#)

English