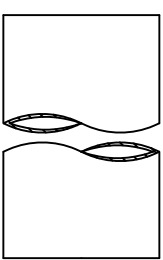
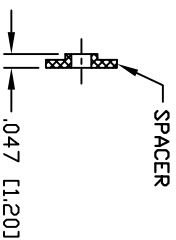
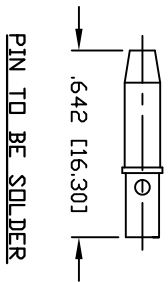
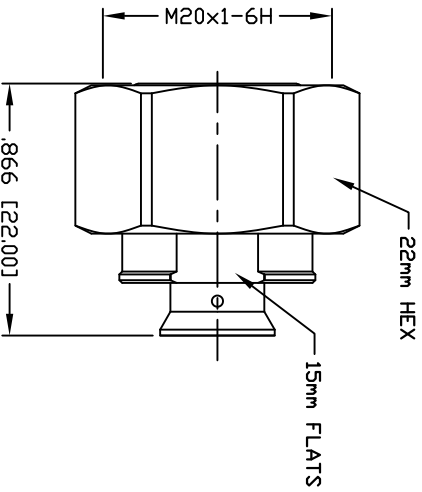


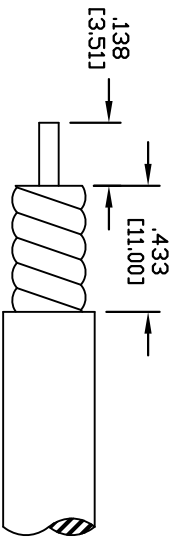
PART NO.		<b>RFD-43MS-HPL</b>	
REV	DESCRIPTION	DMN	DATE
B	UPDATED SPECS	CZS	09/09/20
			APPROVED
			JDMc



**SPECIFICATIONS:**

INTERFACE: IEC61169-54  
 IMPEDANCE: 50 Ohms  
 FREQUENCY RANGE: 0-6 GHz  
 INSERTION LOSS: -.01 dB MAX  
 VSWR: <1.15:1 THRU 3 GHz  
 3rd ORDER IM: S-160 dBc @ 700 MHz & 1900 MHz  
 3rd ORDER IM TEST METHOD: 2x43 dBm CARRIERS  
 DC TEST VOLTAGE: 2500 V @ SEA LEVEL  
 INSULATION RESISTANCE: 5000 MΩ  
 TEMPERATURE RANGE: -55°C TO 90°C  
 COUPLING TORQUE: ≥ 3.7 FT-LB (≥5 Nm)  
 MATING CYCLES: >100  
 NET WEIGHT: 0.08 lb  
 CERTIFICATIONS: RoHS  
 ENVIRONMENTAL: IEC 60529, IPX8 (2.5 BAR, 1 HOUR)  
 IEC 61169-1 CLAUSE 9.4.6 48 HOUR SALT MIST, 35°C  
 USED ON: SPP-250-LLPP, SPO-250, SCF14-50J, SPF-250,  
 FSJ1-50A, SCF14-50J, PTS1-50-P, TFT-401, EC1-50-HF

#	DESCRIPTION	QTY	MATERIAL	FINISH
8	TUBING	1	HEAT SHRINK	BLACK
7	SHELL	1	BRASS	CuSnZn
6	RETAINING RING	1	BeCu	CuSnZn
5	O-RING	1	S.I. RUBBER	RED
4	SPACER	1	PIFE	NATURAL
3	INSULATOR	1	PIFE	NATURAL
2	PIN	1	BRASS	SILVER
1	BODY	1	BRASS	CuSnZn



CUSTOMER  
 OUTLINE DRAWING  
 ALL DIMENSIONS  
 ARE REFERENCE ONLY  
 UNLESS OTHERWISE SPECIFIED:  
 DIMENSIONS ARE IN INCHES  
 AND [MILLIMETERS]

DRW	09/09/20
C. ZUNIGA	
C. ZUNIGA	10/12/15



PROPRIETARY AND CONFIDENTIAL  
 THIS DRAWING CONTAINS  
 INFORMATION PROPRIETARY TO  
 RF INDUSTRIES. ANY  
 UNAUTHORIZED USE OF THIS  
 DRAWING IS EXPRESSLY  
 PROHIBITED WITHOUT WRITTEN  
 PERMISSION FROM RF  
 INDUSTRIES. ANY VIOLATION IS  
 PUNISHABLE UNDER U.S.  
 COPYRIGHT LAWS.



**4.3/10 MALE**  
 FOR SPP-250LLPP  
**RFD-43MS-HPL**  
 SCALE: NTS ENGINEERING ID: 001787 SHEET 1 OF 1