



*Image for illustrative purpose only*

## Summary

[Request a quote](#)

[Catalog](#)

Nb of contacts Coax	1
Plug	Plug - Elbow
Locking system	Push-pull
Jacket cable outside diameter [mm]	1.80 - 2.20 mm
Size	00
Suggested matching part	<a href="#">ERA.00.250.CTL</a>
Series	00 - NIM-CAMAC

[https://www.lemo.com/int\\_en/solutions/specialties/00-nim-camac/flc-00-250-ctac22z.html](https://www.lemo.com/int_en/solutions/specialties/00-nim-camac/flc-00-250-ctac22z.html)

LEMO products and services are provided "as is". LEMO makes no warranties or representations with regard to LEMO product & services or use of them, express, implied or statutory, including for accuracy, completeness, or security. The user is fully responsible for his products and applications using LEMO components.

# Technical details

## Electrical Configuration

Nb of contacts Coax	1
Contact Termination Coax	Solder
R (max)	6.1 mOhm
Insert configuration value	0.25 - 1 Coax (50 Ohm)
Insulator	T: PTFE
Rated current	4 A
Impedance	50 Ohm
OHM	50
VSWR	$1.09 + 0.11 * f/\text{GHz}$
Vtest	2100 V (AC), 3000 V (DC)
Contact Type	Coaxial 50 Ohm (Solder)
Test voltage	2.1 kV (rms)
Bucket Dia.	0.6 mm (0.024in)
Contact Dia.	0.7 mm (0.028in)

## Form & Material

Shell style / Model id	FLC - Elbow (90°) plug with cable collet
Plug	Elbow
Housing material	Brass (chrome plated [SAE AMS 2460]) shell and collet nut, nickel plated [SAE AMS QQ N 290] brass latch sleeve and mid pieces
Locking system	Push-pull
Keying	Circular, male
Colour	Grey
Variant	Nut for fitting a bend relief
Weight	4.65 g

[https://www.lemo.com/int\\_en/solutions/specialties/00-nim-camac/flc-00-250-ctac22z.html](https://www.lemo.com/int_en/solutions/specialties/00-nim-camac/flc-00-250-ctac22z.html)

LEMO products and services are provided "as is". LEMO makes no warranties or representations with regard to LEMO product & services or use of them, express, implied or statutory, including for accuracy, completeness, or security. The user is fully responsible for his products and applications using LEMO components.

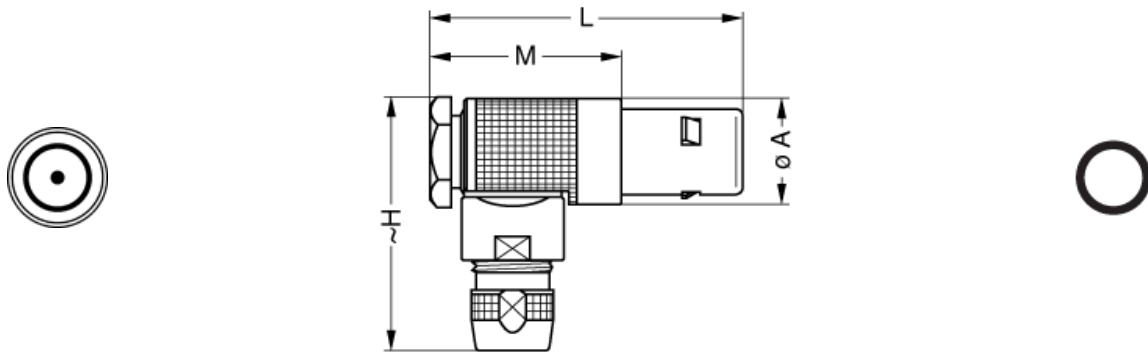
## Environment

Environmental sealing (IP rating)	IP50
Endurance	5000 mating cycles
F ret (min)	100 N
Salt Spray Corrosion	>1000 hr

## Cable fixation

Cable termination protection	For cable bend relief
Fixation type	Cable collet
Jacket cable outside diameter [mm]	1.80 - 2.20 mm

## Drawings



## Dimensions

	A	L	M	H
mm.	7.5	19.5	11.5	16.5
in.	0.3	0.77	0.45	0.65

## Recommended By Lemo

### Accessories

Compatible cap	<a href="#">BFG.00.100.PCSG</a>
----------------	---------------------------------

[https://www.lemo.com/int\\_en/solutions/specialties/00-nim-camac/flc-00-250-ctac22z.html](https://www.lemo.com/int_en/solutions/specialties/00-nim-camac/flc-00-250-ctac22z.html)

LEMO products and services are provided "as is". LEMO makes no warranties or representations with regard to LEMO product & services or use of them, express, implied or statutory, including for accuracy, completeness, or security. The user is fully responsible for his products and applications using LEMO components.

# Cables

Cable PartNumber	Material	Colour	Cable image
178190	PTFE	Brown	
196270	PTFE	White	
CCX.50.030.083.180B		white	
CCX.50.RG1.78BU18M	FEP	Brown	
CCX.50.RG1.78BU18M	PTFE	Brown	
CCX.50.RG1.96AU19B	PTFE	White	
CCX.50.RG1.96AU20B	PFA	White	

[https://www.lemo.com/int\\_en/solutions/specialties/00-nim-camac/flc-00-250-ctac22z.html](https://www.lemo.com/int_en/solutions/specialties/00-nim-camac/flc-00-250-ctac22z.html)

LEMO products and services are provided "as is". LEMO makes no warranties or representations with regard to LEMO product & services or use of them, express, implied or statutory, including for accuracy, completeness, or security. The user is fully responsible for his products and applications using LEMO components.