



Image for illustrative purpose only

Summary

[Request a quote](#)

[Catalog](#)

| | |
|------------------------------------|--------------------------------|
| Nb of contacts Coax | 1 |
| Plug | Plug - Elbow |
| Locking system | Push-pull |
| Jacket cable outside diameter [mm] | 2.80 - 3.10 mm |
| Size | 00 |
| Suggested matching part | ERA.00.250.CTL |
| Series | 00 - NIM-CAMAC |

https://www.lemo.com/int_en/solutions/specialties/00-nim-camac/flc-00-250-ctac31z.html

LEMO products and services are provided "as is". LEMO makes no warranties or representations with regard to LEMO product & services or use of them, express, implied or statutory, including for accuracy, completeness, or security. The user is fully responsible for his products and applications using LEMO components.

Technical details

Electrical Configuration

| | |
|----------------------------|------------------------------|
| Nb of contacts Coax | 1 |
| Contact Termination Coax | Solder |
| R (max) | 6.1 mOhm |
| Insert configuration value | 0.25 - 1 Coax (50 Ohm) |
| Insulator | T: PTFE |
| Rated current | 4 A |
| Impedance | 50 Ohm |
| OHM | 50 |
| VSWR | $1.09 + 0.11 * f/\text{GHz}$ |
| Vtest | 2100 V (AC), 3000 V (DC) |
| Contact Type | Coaxial 50 Ohm (Solder) |
| Test voltage | 2.1 kV (rms) |
| Bucket Dia. | 0.6 mm (0.024in) |
| Contact Dia. | 0.7 mm (0.028in) |

Form & Material

| | |
|------------------------|-------------------------------------------------------------------------------------------------------------------------------|
| Shell style / Model id | FLC - Elbow (90°) plug with cable collet |
| Plug | Elbow |
| Housing material | Brass (chrome plated [SAE AMS 2460]) shell and collet nut, nickel plated [SAE AMS QQ N 290] brass latch sleeve and mid pieces |
| Locking system | Push-pull |
| Keying | Circular, male |
| Colour | Grey |
| Variant | Nut for fitting a bend relief |
| Weight | 4.56 g |

https://www.lemo.com/int_en/solutions/specialties/00-nim-camac/flc-00-250-ctac31z.html

LEMO products and services are provided "as is". LEMO makes no warranties or representations with regard to LEMO product & services or use of them, express, implied or statutory, including for accuracy, completeness, or security. The user is fully responsible for his products and applications using LEMO components.

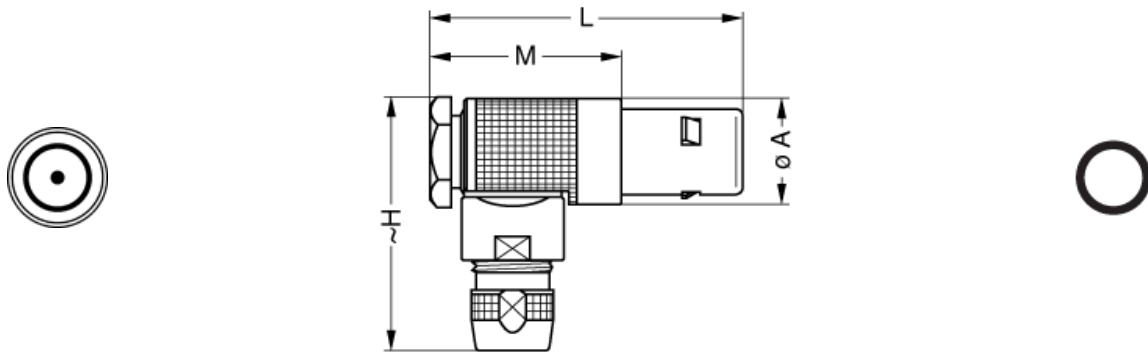
Environment

| | |
|-----------------------------------|--------------------|
| Environmental sealing (IP rating) | IP50 |
| Endurance | 5000 mating cycles |
| F ret (min) | 100 N |
| Salt Spray Corrosion | >1000 hr |

Cable fixation

| | |
|------------------------------------|-----------------------|
| Cable termination protection | For cable bend relief |
| Fixation type | Cable collet |
| Jacket cable outside diameter [mm] | 2.80 - 3.10 mm |

Drawings



Dimensions

| | A | L | M | H |
|-----|-----|------|------|------|
| mm. | 7.5 | 19.5 | 11.5 | 16.5 |
| in. | 0.3 | 0.77 | 0.45 | 0.65 |

Recommended By Lemo



Accessories

| | |
|----------------|---------------------------------|
| Compatible cap | BFG.00.100.PCSG |
|----------------|---------------------------------|

https://www.lemo.com/int_en/solutions/specialties/00-nim-camac/flc-00-250-ctac31z.html

LEMO products and services are provided "as is". LEMO makes no warranties or representations with regard to LEMO product & services or use of them, express, implied or statutory, including for accuracy, completeness, or security. The user is fully responsible for his products and applications using LEMO components.

Cables

| Cable PartNumber | Material | Colour | Cable image |
|--------------------|----------|--------|-------------------------------------------------------------------------------------|
| 17420 | PVC | Black |  |
| 31600 | PTFE | Brown | |
| CCX.50.RG1.74AU28N | PVC | Black | |
| CCX.50.RG1.74AU28N | PVC | Black |  |
| CCX.50.RG3.16U28M | PTFE | Brown | |

https://www.lemo.com/int_en/solutions/specialties/00-nim-camac/flc-00-250-ctac31z.html

LEMO products and services are provided "as is". LEMO makes no warranties or representations with regard to LEMO product & services or use of them, express, implied or statutory, including for accuracy, completeness, or security. The user is fully responsible for his products and applications using LEMO components.