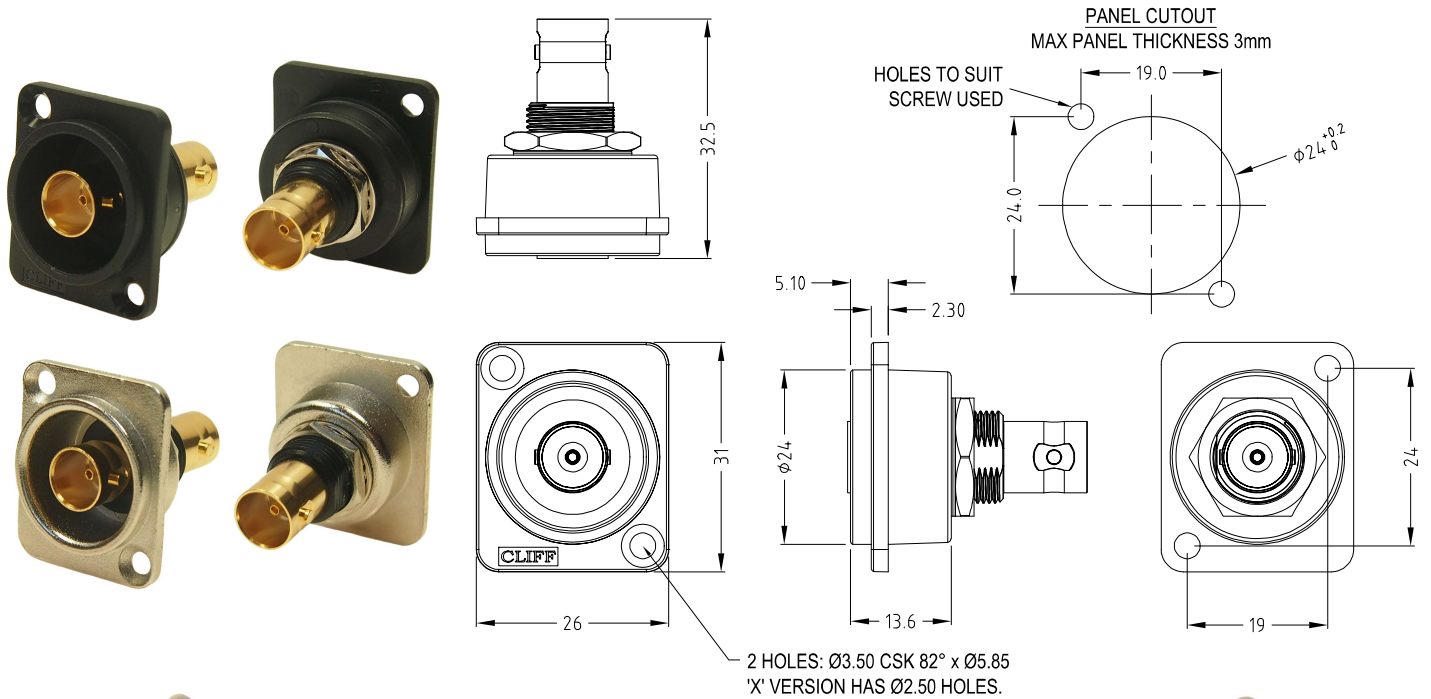


CLIFF

12GHz GOLD BNC FEEDTHROUGH

Our new gold plated BNC connector offers a 4K video standard connector future-proofing broadcast systems and patch panels and offers industrial users a high-reliability, lower contact resistance connector for sensors, instrumentation and test and measurement.



VARIANTS

CP303112G - XRP12 GOLD BNC 75 Ω 12GHz, CSK HOLE

CP303112GX - XRP12 GOLD BNC 75 Ω 12GHz, PLAIN HOLE

CP303112GM - GOLD BNC 75 Ω 12GHz, NICKEL FRAME, CSK HOLE

CP303112GMB - GOLD BNC 75 Ω 12GHz, BLACK METAL FRAME, CSK HOLE

CP303112GSA1A - ASSEMBLED BNC INSERT ONLY 12GHz GOLD BLACK

CP30186 - 16 x GOLD BNC 75 Ω 12GHz, FRONT MOUNTED, M3 HOLES

SPECIFICATION 12GHz BNC

Impedance:	75 Ω
Frequency:	0-18 GHz
Dielectric Withstand Voltage:	1500 Veff
Insulation Resistance:	5000M Ω
Operating Temperature:	-35 $^\circ$ C to +70 $^\circ$ C
Contact Retention:	10N min
Mating cycles:	500 cycles

