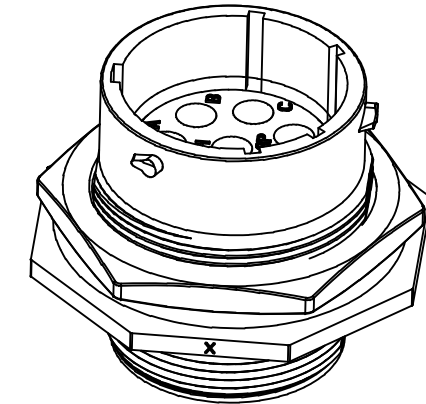
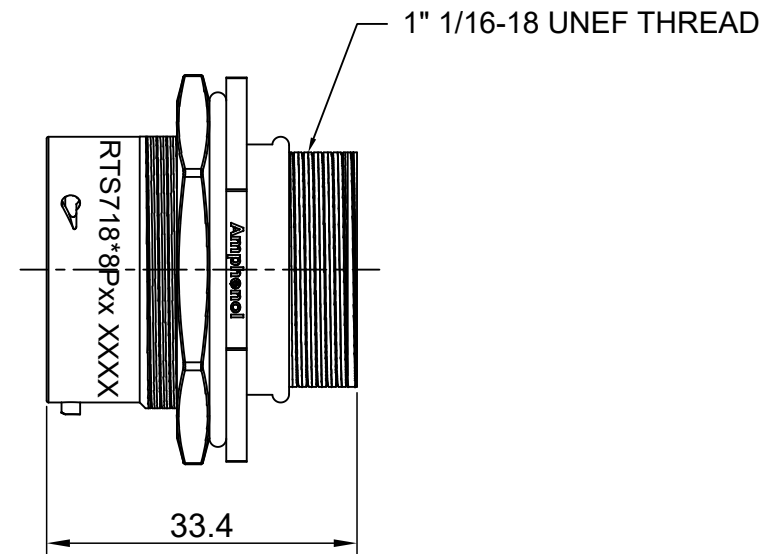
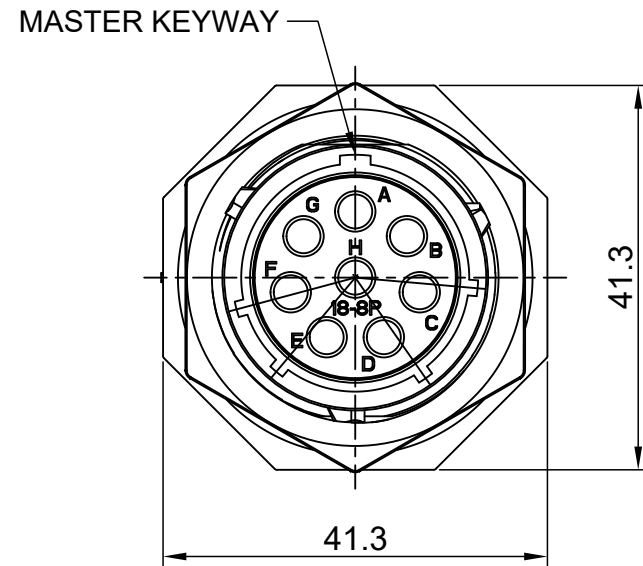
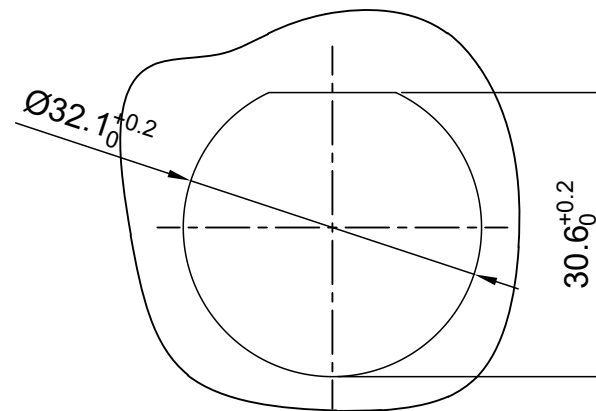


| REVISIONS |     |                  |             |       |       |
|-----------|-----|------------------|-------------|-------|-------|
| REV       | ECO | DESCRIPTION      | DATE        | BY    | APPR  |
| A1        | --  | RELEASED DRAWING | Dec-26-2016 | Ben   | Tommy |
| A2        | --  | UPDATE NOTES     | Jul-06-2017 | Nick  | Tommy |
| A3        | --  | UPDATE DRAWING   | Mar-21-2018 | White | Tommy |



NOTES : (UNLESS OTHERWISE SPECIFIED)

- MATERIAL :
  - SHELL : THERMOPLASTIC , UL94 V-0.
  - INSERT : THERMOPLASTIC , UL94 V-0.
  - O-RING : NBR/SILICONE RUBBER.
  - SEAL GASKET : NBR/SILICONE RUBBER.
  - JAM NUT : ALUMINIUM ALLOY , BLACK ANODIZING.
- SPECIFICATIONS :
  - 2.1 RATED CURRENT : 23A MAX.
  - 2.2 RATED VOLTAGE : 500V(AC/DC).
  - 2.3 OPERATING TEMPERATURE : SEE TABLE.
  - 2.4 DIELECTRIC WITHSTANDING VOLTAGE : LESS THAN 2 MILLIAMPS CURRENT LEAKAGE@2000 VOLTS AC.
  - 2.5 INSULATION RESISTANCE : 5000 MEGOHMS MIN.
  - 2.6 IP--CLASS : IP67 AND IP69K IN THE MATED CONDITION, PANEL EXTERNAL.
  - 2.7 MATING CYCLES DURABILITY : 500 CYCLES MIN.
  - 2.8 RoHS COMPLIANT.
- SUITABLE CONTACTS : 2.5MM CONTACT.
- ALL DIMENSIONS ARE FOR REFERENCE USE ONLY.



PANEL CUT OUT REFERENCE

| KEY | PART NUMBER |               |
|-----|-------------|---------------|
|     |             | -40°C ~ 105°C |
| N   | RTS718N8P   | RTS718N8P03   |

| QUANTITY   | PART NUMBER | DESCRIPTION   | ITEM     |            |      |              |             |              |             |             |    |                 |             |              |  |
|--|-------------|---|----------|------------|------|--------------|-------------|--------------|-------------|-------------|----|-----------------|-------------|--------------|--|
| <b>MATERIALS LIST</b>  |             |   |          |            |      |              |             |              |             |             |    |                 |             |              |  |
| UNLESS OTHERWISE SPECIFIED<br>1) All dimensions are in metric(mm).<br>2) Tolerances are as follows:<br>1 PL DEC ±0.30<br>2 PL DEC ±0.15<br>3 PL DEC ±0.08<br>3) Note reference = |             | <table border="1"> <thead> <tr> <th>SIGNATURES</th> <th>DATE</th> </tr> </thead> <tbody> <tr> <td>DRAWN: White</td> <td>Mar-21-2018</td> </tr> <tr> <td>CHECKED: Tod</td> <td>Mar-21-2018</td> </tr> <tr> <td>ENGINEER:</td> <td></td> </tr> <tr> <td>APPROVAL: Tommy</td> <td>Mar-21-2018</td> </tr> </tbody> </table> |          | SIGNATURES | DATE | DRAWN: White | Mar-21-2018 | CHECKED: Tod | Mar-21-2018 | ENGINEER:   |    | APPROVAL: Tommy | Mar-21-2018 |              |  |
| SIGNATURES   | DATE        |   |          |            |      |              |             |              |             |             |    |                 |             |              |  |
| DRAWN: White   | Mar-21-2018 |   |          |            |      |              |             |              |             |             |    |                 |             |              |  |
| CHECKED: Tod   | Mar-21-2018 |   |          |            |      |              |             |              |             |             |    |                 |             |              |  |
| ENGINEER:  |             |   |          |            |      |              |             |              |             |             |    |                 |             |              |  |
| APPROVAL: Tommy  | Mar-21-2018 |   |          |            |      |              |             |              |             |             |    |                 |             |              |  |
| MATERIAL SPECIFICATIONS:   |             | <p style="text-align: center;"><b>Amphenol</b></p> <p>Sine Systems - www.amphenol-sine.com<br/>44724 Morley Drive<br/>Clinton Township, MI 48036</p>  |          |            |      |              |             |              |             |             |    |                 |             |              |  |
| PROCESS SPECIFICATIONS:  |             | <p>ECO-MATE, RECEPTACLE, JAM NUT,<br/>SIZE 18,8POS,PIN.</p>   |          |            |      |              |             |              |             |             |    |                 |             |              |  |
| NEXT ASSY:   |             | <table border="1"> <tr> <td>SIZE</td> <td>TYPE</td> <td>DWG NO:</td> <td>REVISION</td> </tr> <tr> <td>B</td> <td>C-</td> <td>RTS718*8Pxx</td> <td>A3</td> </tr> <tr> <td colspan="2">SCALE: NONE</td> <td colspan="2">SHEET 1 OF 1</td> </tr> </table>  |          | SIZE       | TYPE | DWG NO:      | REVISION    | B            | C-          | RTS718*8Pxx | A3 | SCALE: NONE     |             | SHEET 1 OF 1 |  |
| SIZE   | TYPE        | DWG NO:   | REVISION |            |      |              |             |              |             |             |    |                 |             |              |  |
| B  | C-          | RTS718*8Pxx   | A3       |            |      |              |             |              |             |             |    |                 |             |              |  |
| SCALE: NONE  |             | SHEET 1 OF 1  |          |            |      |              |             |              |             |             |    |                 |             |              |  |

TITLE: ECO-MATE RECEPTACLE, JAM NUT, SIZE 18,8POS, PIN

DWG NO:

RTS718\*8Pxx

REV: A3

SH: 1

OF: 1

# ecomate® RM/RSSM/Aquarius™ - Contact Size 12 Options

| Machined, Crimp Contacts |            |                    |                               |            |
|--------------------------|------------|--------------------|-------------------------------|------------|
| Part Number              |            | Contact Size (AWG) | Wire Range (mm <sup>2</sup> ) | Plating    |
| Male                     | Female     |                    |                               |            |
| MP12B23T                 | MS12B23T   | 14-12AWG           | 2.3-3.5mm <sup>2</sup>        | Tin        |
| MP12B23S                 | MS12B23S   | 14-12AWG           | 2.3-3.5mm <sup>2</sup>        | Silver     |
| MP12B23F                 | MS12B23F   | 14-12AWG           | 2.3-3.5mm <sup>2</sup>        | Gold Flash |
| MP12B23G5                | MS12B23G5  | 14-12AWG           | 2.3-3.5mm <sup>2</sup>        | Gold 5μ"   |
| MP12B23G10               | MS12B23G10 | 14-12AWG           | 2.3-3.5mm <sup>2</sup>        | Gold 10μ"  |
| MP12B23G15               | MS12B23G15 | 14-12AWG           | 2.3-3.5mm <sup>2</sup>        | Gold 15μ"  |
| MP12B23G30               | MS12B23G30 | 14-12AWG           | 2.3-3.5mm <sup>2</sup>        | Gold 30μ"  |

| Machined, Tooling |  |
|-------------------|--|
| Part Number       | Description                            |
| QXRT12S           | Contact Extraction Tool, 2.5mm contact |
| UH2-5             | Universal Locator, Fits AF8 and WA27F  |
| AF8               | Hand Crimper                           |
| WA27F             | Pneumatic Crimper                      |

| Plating Options, All |                            |
|----------------------|----------------------------|
| Symbol               | Plating                    |
| T                    | Tin Plated                 |
| S                    | Silver Plated              |
| F                    | Gold Flash                 |
| G5                   | Gold 5μ" (Thickness 5μ")   |
| G10                  | Gold 10μ" (Thickness 10μ") |
| G15                  | Gold 15μ" (Thickness 15μ") |
| G30                  | Gold 30μ" (Thickness 30μ") |

| Stamped & Formed, Crimp Contacts |         |                    |                               |         |
|----------------------------------|---------|--------------------|-------------------------------|---------|
| Part Number                      |         | Contact Size (AWG) | Wire Range (mm <sup>2</sup> ) | Plating |
| Male                             | Female  |                    |                               |         |
| SP12A1T                          | SS12A1T | 14-12AWG           | 2.5-3.5mm <sup>2</sup>        | Tin     |

| Stamped & Formed, Tooling |  |
|---------------------------|--|
| Part Number               | Description  |
| QXRT12S                   | Contact Extraction Tool, 2.5mm Contact             |
| MFX-3962                  | Hand Tool, Stamped & Formed Contact, 2.5mm Contact |

| Misc Tooling, All |                       |
|-------------------|-----------------------|
| Part Number       | Description           |
| CA-4012-59        | Sealing Plug, Size 12 |

| Standard Quantity Order Options |                   |
|---------------------------------|-------------------|
| Machined                        | Bag, 500 Pieces   |
| Stamped & Formed                | Reel, 1000 Pieces |