



DEUTSCH

TE Internal #: ZPF000000000003599

Socket Contact, Gold, 115 VAC, 115 VDC, Spring Contact Retention, Size 22 Contact Size, Discrete Wire, 22 AWG, .32 mm² Wire, Crimp, Copper Alloy

[View on TE.com >](#)

Connectors > Contacts > Connector Contacts



Contact Type: **Socket**

Contact Mating Area Plating Material: **Gold**

Wire Contact Termination Area Plating Material: **Gold**

Operating Voltage: **115 VDC**

Features

Contact Features

Barrel Type	Closed
Contact Type	Socket
Contact Mating Area Plating Material	Gold
Wire Contact Termination Area Plating Material	Gold
Contact Retention Within Housing	With
Contact Size	Size 22
Contact Base Material	Copper Alloy
Contact Current Rating (Max)	5 A

Electrical Characteristics

Operating Voltage	115 VDC
-------------------	---------

Mechanical Attachment

Contact Retention Type Within Housing	Spring
---------------------------------------	--------

Product Type Features

Sealable	Yes
----------	-----

Configuration Features

Compatible With Wire & Cable Type	Discrete Wire
-----------------------------------	---------------

Termination Features

Termination Method to Wire & Cable	Crimp
------------------------------------	-------



Product Terminates To

Wire & Cable

Dimensions

Wire Size

.32 mm²

Usage Conditions

Operating Temperature Range

-65 – 175 °C[-85 – 347 °F]

Operation/Application

Circuit Application

Power, Signal & High Speed Data

Other

EU RoHS Compliance

Compliant with Exemptions

Product Compliance

For compliance documentation, visit the product page on [TE.com](https://www.te.com)>

EU RoHS Directive 2011/65/EU

Compliant with Exemptions

EU ELV Directive 2000/53/EC

Out of Scope

China RoHS 2 Directive MIIT Order No 32, 2016

Restricted Materials Above Threshold

EU REACH Regulation (EC) No. 1907/2006

Current ECHA Candidate List: JUNE 2024 (241)

Candidate List Declared Against: JUNE 2024 (241)

SVHC > Threshold:

Pb (1.2% in Contact Lead-Copper Alloy)

Article Safe Usage Statements:

Do not eat, drink or smoke when using this product. Wash thoroughly after handling. Recycle if possible and dispose of the article by following all applicable governmental regulations relevant to your geographic location.

Halogen Content

Low Halogen - Br, Cl, F, I < 900 ppm per homogenous material. Also BFR/CFR/PVC Free

Solder Process Capability

Not reviewed for solder process capability

Product Compliance Disclaimer

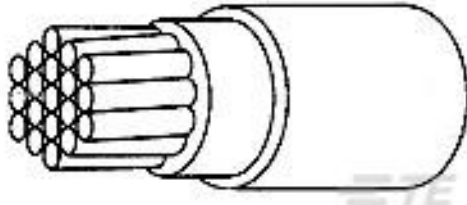
This information is provided based on reasonable inquiry of our suppliers and represents our current actual knowledge based on the information they provided. This information is subject to change. The part numbers that TE has identified as EU RoHS compliant have a maximum concentration of 0.1% by weight in homogenous materials for lead, hexavalent chromium, mercury, PBB, PBDE, DBP, BBP, DEHP, DIBP, and 0.01% for cadmium, or qualify for an exemption to these limits as defined in the Annexes of Directive 2011/65/EU (RoHS2). Finished electrical and electronic equipment products will be CE marked as required by Directive 2011/65/EU. Components may not be CE marked. Additionally, the part numbers that TE has identified as EU ELV compliant have a maximum concentration of 0.1% by weight in homogenous materials for lead, hexavalent chromium, and mercury, and 0.01% for cadmium, or qualify for an exemption to these limits as defined in the Annexes of Directive 2000/53/EC (ELV). Regarding the REACH Regulation, the information TE provides on SVHC in articles for this part number is based on the latest European Chemicals Agency (ECHA) 'Guidance on requirements for substances in articles' posted at this URL: <https://echa.europa.eu/guidance-documents/guidance-on-reach>



Customers Also Bought



TE Part #ZPF000000000006356
951-02 R 18-32 P 50



TE Part #9995473001
100G0111-0.25-6



TE Part #ZPF00000000000173
006-0044-20 A



TE Part #ZPF000000000008889
983-6SE 16-24 PN-L

TE Part #ZPF0000000000101626
787-0016-00

TE Part #650128N008
D-436-84CS2845

TE Part #D33548-000
101A031-3-CS-2068-0

TE Part #ZPF000000000000294
006-0910-12

TE Part #ZPF000000000012264
DBAC 50-8

TE Part #ZPF000000000015890
DTP 07-8-3A-K

Documents

CAD Files

Customer View Model

[ENG_CVM_CVM_ZPF000000000003599_1.3d_stp.zip](#)

English

Customer View Model

[ENG_CVM_CVM_ZPF000000000003599_1.3d_igs.zip](#)

English

3D PDF

3D

Customer View Model

[ENG_CVM_CVM_ZPF000000000003599_1.2d_dxf.zip](#)

English

By downloading the CAD file I accept and agree to the [Terms and Conditions](#) of use.