

1060-20-0277 ✓ ACTIVE

DEUTSCH | DEUTSCH Common Contact

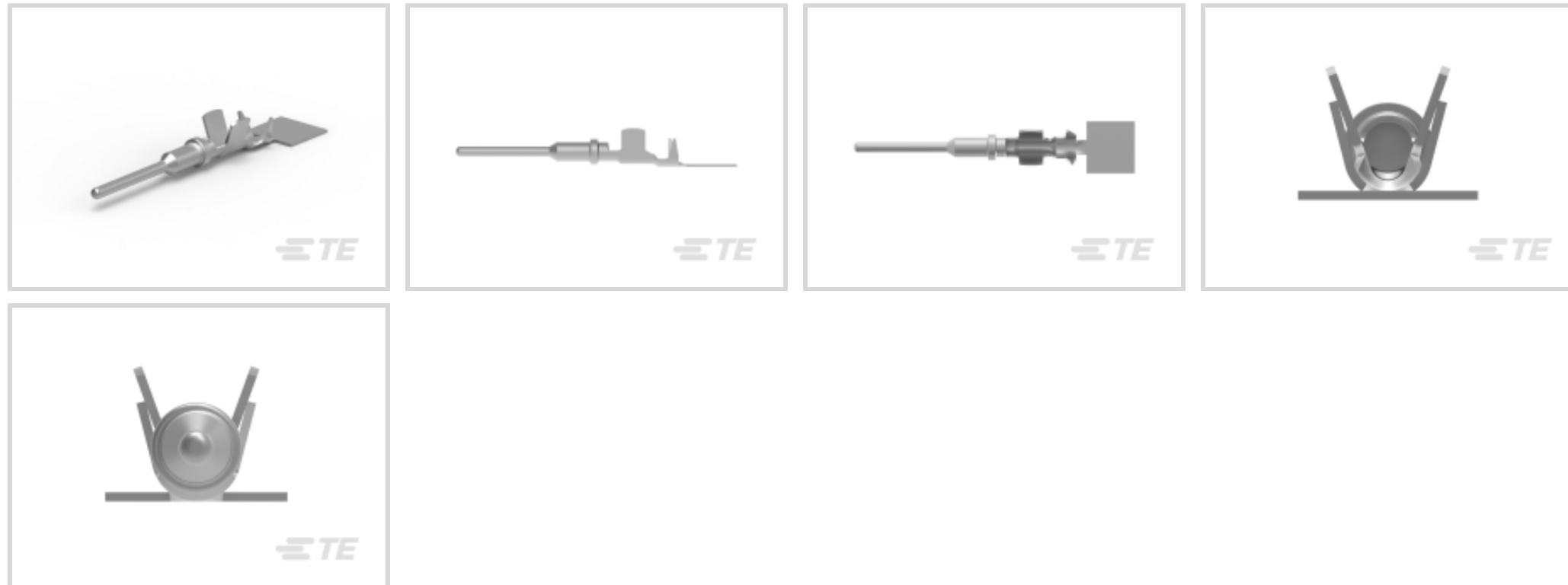
TE Internal #: 1060-20-0277

Pin Terminal, Nickel (Ni), 1 mm [.04 in] Pin Diameter, 22 – 16 AWG, .35 – 1.5 mm² Wire, Family Seal or Unsealed, DEUTSCH Common Contact

[View on TE.com >](#)



Terminals & Splices > Automotive Terminals



Terminal Type: **Pin**

Interface Plating: **Nickel (Ni)**

Mating Pin Diameter: **1 mm [.04 in]**

Terminal Transmits: **0 – 24 A (Low Power)**

Wire Size: **22 – 16 AWG**

Features

Operation/Application

Compatible With Wire Base Material	Copper
------------------------------------	--------

Packaging Features

Packaging Method	Reel
Packaging Quantity	4000

Usage Conditions

Insulation Option	Uninsulated
Operating Temperature (Max)	125 °C[257 °F]
Operating Temperature Range	-55 – 125 °C[-67 – 257 °F]

Termination Features

Termination Method to Wire & Cable	Crimp
Product Terminates To	Wire

Product Type Features

Receptacle Style	180°
------------------	------



Sealable	No
Primary Locking Feature	Integrated in Housing

Dimensions

Compatible Insulation Diameter Range	1.3 – 2.2 mm [.051 – .085 in]
Wire Size	.35 – 1.5 mm ²
Wire Size Search	1 mm ² , .35 mm ² , .5 mm ² , 1.5 mm ² , .75 mm ²

Other

Customer Preferred Contact	Yes
Terminal Transmits	0 – 24 A (Low Power)
EU RoHS Compliance	Compliant
EU ELV Compliance	Compliant

Contact Features

Typical Current Rating	7.5 A
Crimp Type	F-Crimp
Contact Size	Size 20
Contact Fabrication	Stamped & Formed
Wire Contact Termination Area Plating Material	Tin
Terminal Type	Pin
Interface Plating	Nickel (Ni)
Mating Pin Diameter	1 mm [.04 in]

Body Features

Terminal Seal Type	Family Seal or Unsealed
--------------------	-------------------------

Product Compliance

[For compliance documentation, visit the product page on TE.com>](#)

EU RoHS Directive 2011/65/EU	Compliant
EU ELV Directive 2000/53/EC	Compliant
China RoHS 2 Directive MIIT Order No 32, 2016	No Restricted Materials Above Threshold
EU REACH Regulation (EC) No. 1907/2006	Current ECHA Candidate List: JUNE 2024 (241) Candidate List Declared Against: JUNE 2024 (241) Does not contain REACH SVHC
Halogen Content	Low Halogen - Br, Cl, F, I < 900 ppm per

homogenous material. Also BFR/CFR/PVC Free

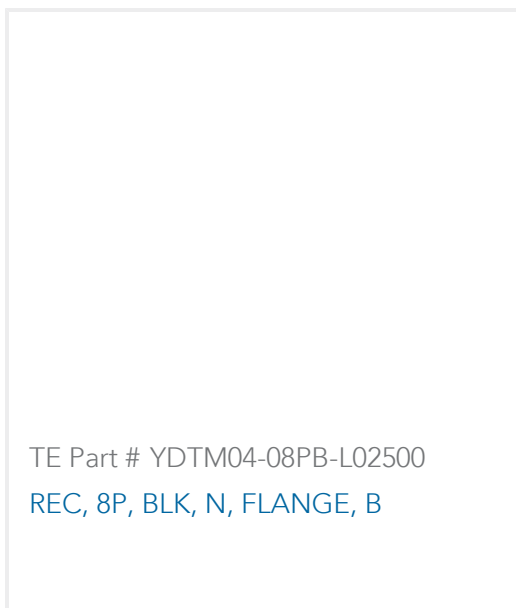
Solder Process Capability

Not reviewed for solder process capability

Product Compliance Disclaimer

This information is provided based on reasonable inquiry of our suppliers and represents our current actual knowledge based on the information they provided. This information is subject to change. The part numbers that TE has identified as EU RoHS compliant have a maximum concentration of 0.1% by weight in homogenous materials for lead, hexavalent chromium, mercury, PBB, PBDE, DBP, BBP, DEHP, DIBP, and 0.01% for cadmium, or qualify for an exemption to these limits as defined in the Annexes of Directive 2011/65/EU (RoHS2). Finished electrical and electronic equipment products will be CE marked as required by Directive 2011/65/EU. Components may not be CE marked. Additionally, the part numbers that TE has identified as EU ELV compliant have a maximum concentration of 0.1% by weight in homogenous materials for lead, hexavalent chromium, and mercury, and 0.01% for cadmium, or qualify for an exemption to these limits as defined in the Annexes of Directive 2000/53/EC (ELV). Regarding the REACH Regulation, the information TE provides on SVHC in articles for this part number is based on the latest European Chemicals Agency (ECHA) 'Guidance on requirements for substances in articles' posted at this URL: <https://echa.europa.eu/guidance-documents/guidance-on-reach>

Compatible Parts



TE Part # YDTM04-08PB-L02500
REC, 8P, BLK, N, FLANGE, B



TE Part # DTM04-08PD-E005
REC, 8P, BLK, N, CAP, D



TE Part # DTM04-08PD-EE04
REC, 8P, BLK, N, HIGH TEMP, D



TE Part # DTM04-12PD-E005
REC, 12P, BLK, N, CAP, D



TE Part # 5-2266120-2
OCEAN_2.0_APPLICATOR-S-069F0520A-RSA



KIT
TE Part # 7-2266120-8
OCEAN_2.0_CONVERSIONKIT_DEUTSCH-069F0520



KIT
TE Part # 7-2266120-7
OCEAN_2.0_SPARE_PART_KIT-069F0520



TE Part # DTM04-12PC-E003
REC, 12P, GRN, N, CAP, C



TE Part # DTM04-12PC-L012
REC, 12P, GRN, N, FLANGE, C



TE Part # 2390511-2
SDE F DEUTSCH 20 PIN/SKT 18-22 DIE SET



TE Part # CAT-D485-CH8172
DEUTSCH DTM Housings



TE Part # DTM04-3P-R011
REC, 3P, BLK, 90DEG, PANEL



TE Part # 2266120-1
OCEAN_2.0_APPLICATOR-S-069F052O-RSM



TE Part # 0462-005-20309
SOC, SOLID, SIZE 20, 16-18AWG, SN



TE Part # DTMH04-3PB
REC, 3P, BLK, N, HI TEMP, B



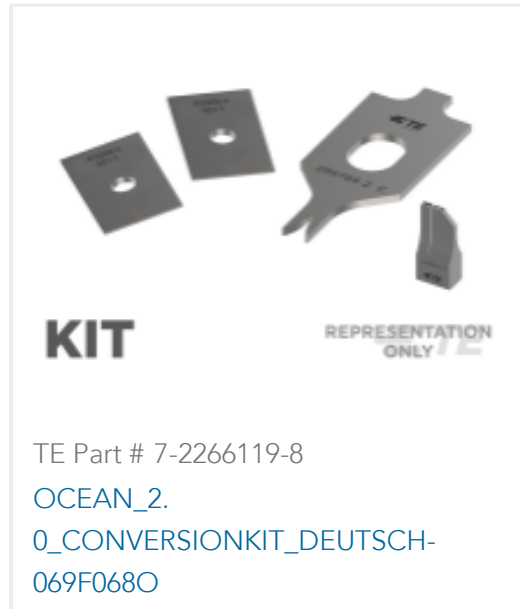
TE Part # DTMH04-2PD
REC, 2P, BLK, N, HI TEMP, D



TE Part # DTM04-08PD-E018
REC, 8P, BRN, N, HIGH TEMP, D



TE Part # 2266119-2
OCEAN_2.0_APPLICATOR-S-069F068O-RSA



TE Part # 7-2266119-8
OCEAN_2.0_CONVERSIONKIT_DEUTSCH-069F068O



TE Part # 1062-20-0177
SOC, SF, SIZE 20, 16-22, SN/SN

Also in the Series | **DEUTSCH Common Contact**

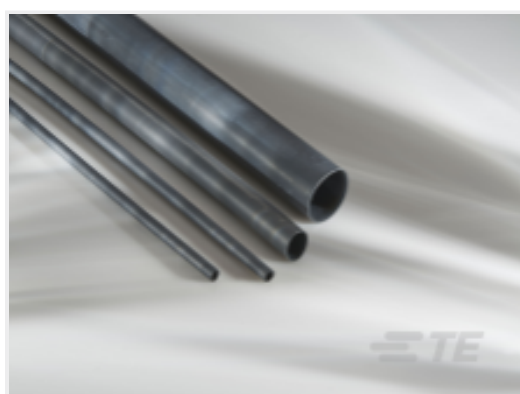


Automotive Terminals(129)



Insertion & Extraction Tools(8)

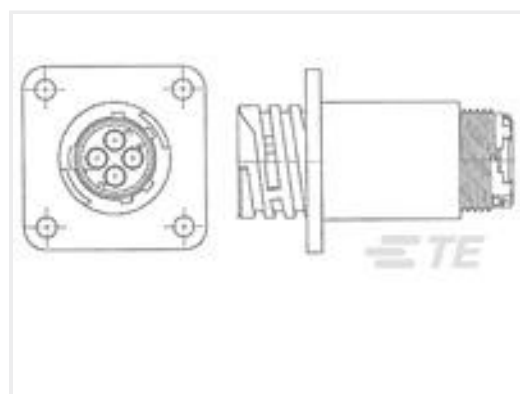
Customers Also Bought



TE Part #EH2301-000
DWFR-52/13-0-STK



TE Part #175197-2
040 REC FOR 120P ECU CONN



TE Part #796286-1
RCPT.ASSY,23-37STD SEX SQ.FLNG



TE Part #20029093-00
AST4100F00500B4B1000: CTO-13000000-02



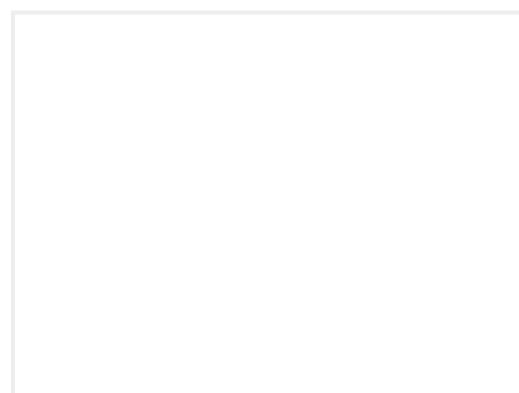
TE Part #1-66399-1
III+ SKT,24-20,TIN,SMPACK



TE Part #796466-1
SLD CPC RCPT ASSY,23-16,STD SX



TE Part #7-1618391-4
LEV200ABNAA=RELAY, SPST-NO



TE Part #11104031-00
30 PSI, 7/16-20UNF Male, 4-20mA, Packard



Documents

Product Drawings

[PIN, SF, SIZE 20, 16-22, SN/SN](#)

English

CAD Files

[3D PDF](#)

3D

Customer View Model

[ENG_CVM_CVM_1060-20-0277_H_c-1060-20-0277-h.2d_dxf.zip](#)

English

Customer View Model

[ENG_CVM_CVM_1060-20-0277_H_c-1060-20-0277-h.3d_igs.zip](#)

English

Customer View Model

[ENG_CVM_CVM_1060-20-0277_H_c-1060-20-0277-h.3d_stp.zip](#)

English

By downloading the CAD file I accept and agree to the [Terms and Conditions](#) of use.

Datasheets & Catalog Pages

[DEUTSCH HD30 & HDP20 CONNECTOR SERIES](#)

English

Product Specifications

[Application Specification](#)

English