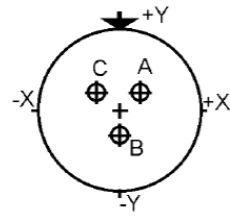


Contact Layout

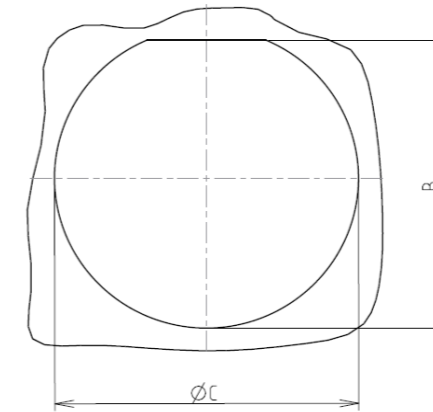


Contacts (insert arrangement 9-98)		
Contact position ID	Contact location	
	X-axis (mm)	Y-axis (mm)
A	+065 (1.65)	+038 (0.97)
B	+000 (0.00)	-075 (1.91)
C	-065 (1.65)	+038 (0.97)

Shell size	Arrangement no.	Number of contacts	Size contacts	Service rating	Contact location	Supersedes
9	-98	3	20	I	All	MS20049-98

Panel cutout

JAM NUT RECEPTACLE (TYPE 7)



Dim	Nominal
B	16.7±0.1
ØC	17.6+0.25/-0

SOURIAU shall not be liable for any non-conformity or damage due to a use of the Products which does not comply with the Specifications issued by either of the Parties or by a third party (professional recommendation, technical notice.)

Country	Jurisdiction & Control List
FR	Not Listed

PN: 8D709Z98SE

A	03-11-2016	First Release	
ISS	DATE	Latest modification - by	MOD N°
Designed By:		Date:	CUSTOMER DRAWING
TITLE	Aluminium Receptacle 8D series		
SCALE		General linear Tolerances:	NPRDS / PROJECT
NA		±--	859
SOURIAU	WWW.SOURIAU.COM		This document is the property of SOURIAU it must not be reproduced or communicated without permission
FORMAT	SOURIAU DRG N° 8D709Z98SE-C		SHEET 2/2