



LAYOUT SHOWN AS EXAMPLE

Keying Shown as example

CHARACTERISTICS

- Standard : Based on MIL-DTL-38999 Series III
- Shell Material : Stainless Steel
- Shell Plating : Passivated
- Insulator : Thermoplastic
- Contacts : Copper Alloy
- Seals & Grommet : Silicon Elastomer
- Contact Plating : Gold over copper Alloy 0.8µm minimum
- Durability : 500 Mating cycles
- Delivered with Souriau contacts and Accessories
- Temperature Range : -65°C to +200°C
- Salt Spray : 500 hours
- Mass : 74.35 g ± 10%

Connector dimension	
Dim	Nominal
P	3.25±0.2
PP	4.93±0.2
R1	26.97
R2	24.61
S	33.3±0.3
V	20.83+0/-1.25
W	2.1/2.5
Z	31.5 Max
VV THREAD	M25x1-6g

SOURIAU shall not be liable for any non-conformity or damage due to a use of the Products which does not comply with the Specifications issued by either of the Parties or by a third party (professional recommendation, technical notice.)

Country	Jurisdiction & Control List
FR	Not Listed

PN: 8D017K99SA

B	11-04-17	Drawing Update	
ISS	DATE	Latest modification - by	MOD N°
Designed By:		Date:	CUSTOMER DRAWING
TITLE	Stainless Steel Receptacle 8D series		
SCALE	NA	General linear Tolerances: ±--	NPRDS / PROJECT 859
SOURIAU	WWW.SOURIAU.COM		This document is the property of SOURIAU it must not be reproduced or communicated without permission
FORMAT	A3		SHEET 1/2
		SOURIAU DRG N°	
		8D017K99SA-C	

BASIC SERIES:	8D	0	-	17	K	99	S	A	ORIENTATION : A
SHELL TYPE :	Square Flange Receptacle								CONTACT TYPE : SOCKET(500 Matings)
CONTACT TYPE :	Standard Crimp Contact								CONTACT LAYOUT : 17-99
SHELL SIZE :	17								
PLATING :	K = Passivated								

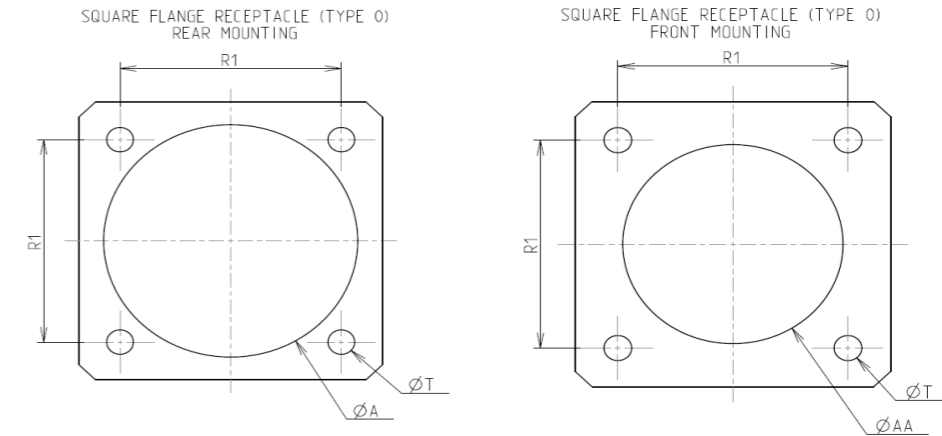
Contact Layout



Contacts (Insert arrangement 17-99)					
Contact position ID	Contact location		Contact position ID	Contact location	
	X-axis (mm)	Y-axis (mm)		X-axis (mm)	Y-axis (mm)
A	.000 (0.00)	+321 (8.15)	N	-305 (7.75)	+099 (2.51)
B	+131 (3.33)	+293 (7.44)	P	-239 (6.07)	+214 (5.44)
C	+239 (6.07)	+214 (5.44)	R	-131 (3.33)	+293 (7.44)
D	-305 (7.75)	-099 (2.51)	e	070 (1.78)	-177 (4.50)
E	+319 (8.10)	-034 (0.86)	T	+070 (1.78)	+177 (4.50)
F	+278 (7.06)	-161 (4.09)	U	+175 (4.45)	+094 (2.39)
G	+189 (4.80)	-260 (6.60)	V	+150 (3.81)	-075 (1.91)
H	+067 (1.70)	-314 (7.98)	W	+000 (0.00)	-161 (4.09)
J	-067 (1.70)	-314 (7.98)	X	-150 (3.81)	-075 (1.91)
K	-189 (4.80)	-260 (6.60)	Y	-175 (4.45)	+094 (2.39)
L	-278 (7.06)	-161 (4.09)	Z	+000 (0.00)	+025 (0.64)
M	-319 (8.10)	-034 (0.86)			

Shell size	Arrangement no.	Number of contacts	Size contacts	Service rating	Contact position ID	Supersedes
17	-99	2	16	I	W, Z	MS20053-99
		21	20		All others	

Panel Cutout



Max. thickness panel for receptacle: Type 0: front mounting = 3.2 mm, rear mounting = 2.5 mm

Dim	Nominal
ØA	30.96 min
ØAA	25.81 min
R1	26.97
ØT	3.25 ±0.13

SOURIAU shall not be liable for any non-conformity or damage due to a use of the Products which does not comply with the Specifications issued by either of the Parties or by a third party (professional recommendation, technical notice.)

Country	Jurisdiction & Control List
FR	Not Listed

PN: 8D017K99SA

B	11-04-17	Drawing Update	
ISS	DATE	Latest modification - by	MOD N°
Designed By:		Date:	CUSTOMER DRAWING
TITLE	Stainless Steel Receptacle 8D series		
SCALE		General linear Tolerances: ±--	NPRDS / PROJECT 859
NA			
SOURIAU	WWW.SOURIAU.COM		This document is the property of SOURIAU it must not be reproduced or communicated without permission
FORMAT	SOURIAU DRG N° 8D017K99SA-C		SHEET 2/2