

PCM Series

Ultraminiature Surface Mount Slide Switches



Description

Makers of computer peripherals, network products, telecommunication products and test & measurement equipment choose the PCM series ultraminiature surface mount slide switches when they need a long-lasting, low-profile switch. PCM switches are available in SPDT or SP3T models.

Features & Benefits

- Ultraminiature surface mount
- Low profile
- SPDT & SP3T models
- RoHS compliant

Applications

- Computer peripherals & network products
- Telecommunication products
- Test & measurement equipment

Specifications

| | |
|------------------------------|--|
| Contact Rating | 0.3A @ 6 VDC. |
| Electrical Life | 10,000 cycles |
| Contact Resistance | 70 m Ω max. |
| Insulation Resistance | 100 M Ω min. @ 500V. |
| Dielectric Strength | 500 VAC min. |
| Operating Temperature | -20°C to 85°C for PCM12SMTR. -10°C to 85°C for PCM13SMTR. |
| Solderability | 255C max. solder temperature |
| Packaging | Tape & reel. |

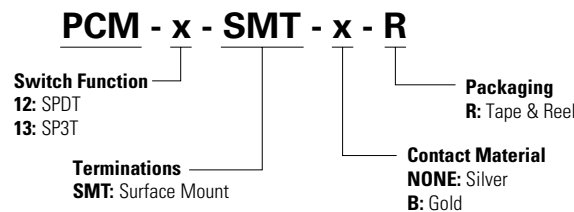
Materials

| | |
|------------------|--------------------------------------|
| Case | PPA |
| Cover | Stainless steel. |
| Slider | Nylon 4/6 |
| Contacts | Copper alloy, silver or gold plated. |
| Terminals | |

Notes: All models RoHS compliant and compatible with all options. Specifications and materials listed above are for switches with standard options. For information on specific and custom switches, consult Customer Service Center.

Ordering Number

Our easy build-a-switch concept allows you to mix and match options to create the switch you need. To order, select desired option from each category and place it in the appropriate box.



PCM Series

Ultraminiature Surface Mount Slide Switches



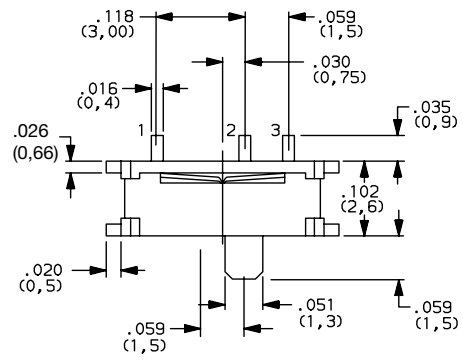
PCM12SMTR SPDT

Circuit Diagram

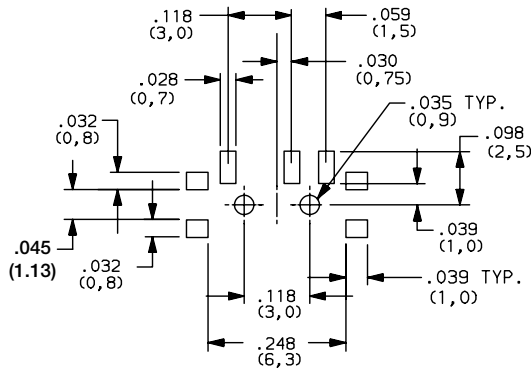
| Part Number | POS.1 | POS.2 |
|-----------------|-------|-------|
| PCM12SMTR SPDT | On | On |
| Conn. Terminals | 1-2 | 2-3 |

Schematic, SPDT

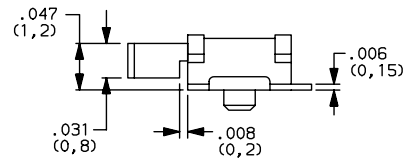
Dimensions inches (mm)



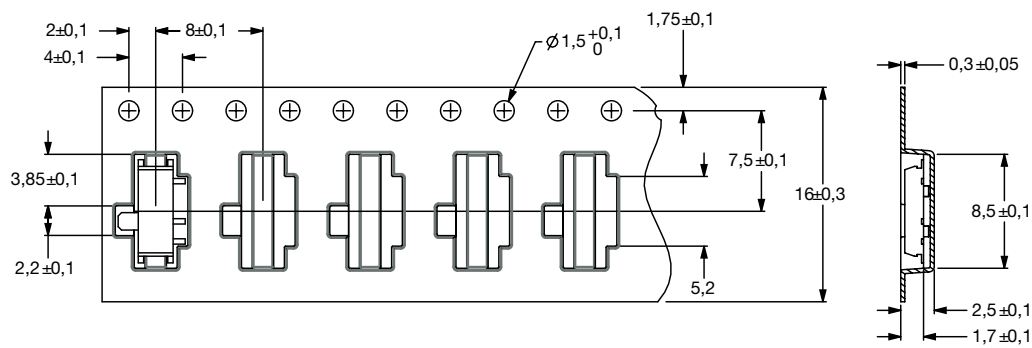
PC Mounting



Actuator shown in pos. 2



Tape & Reel



Note: For part number PCM12SMTR

Quantity per reel 3500

→
FEED DIRECTION

SECTION A-A

PCM Series

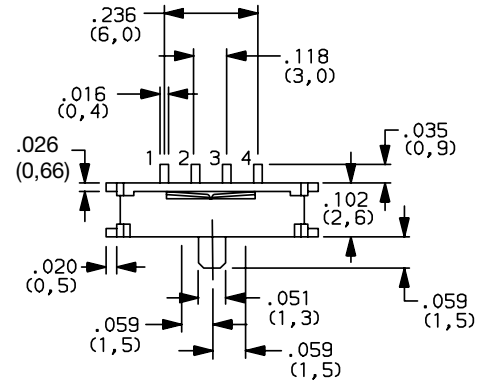
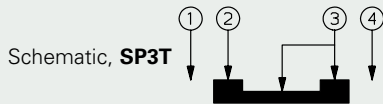
Ultraminiature Surface Mount Slide Switches



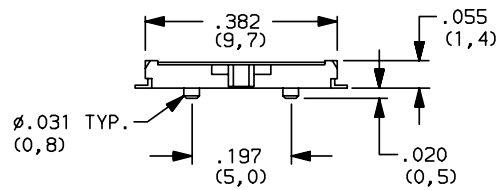
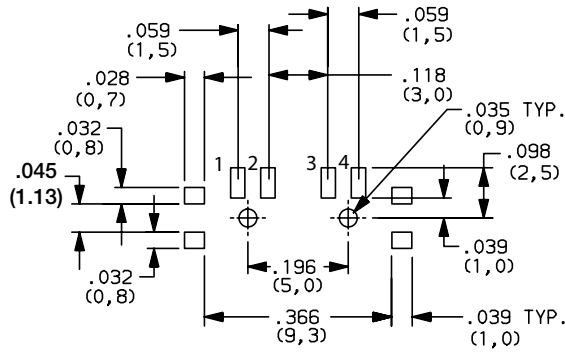
PCM13SMTR SP3T

Circuit Diagram

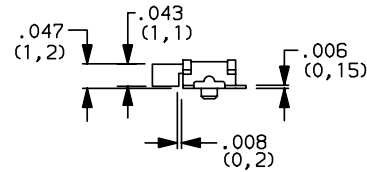
| Part Number | POS.1 | POS.2 | POS.3 |
|-----------------|-------|-------|-------|
| PCM13SMTR | On | On | On |
| Conn. Terminals | 1-3 | 2-3 | 3-4 |



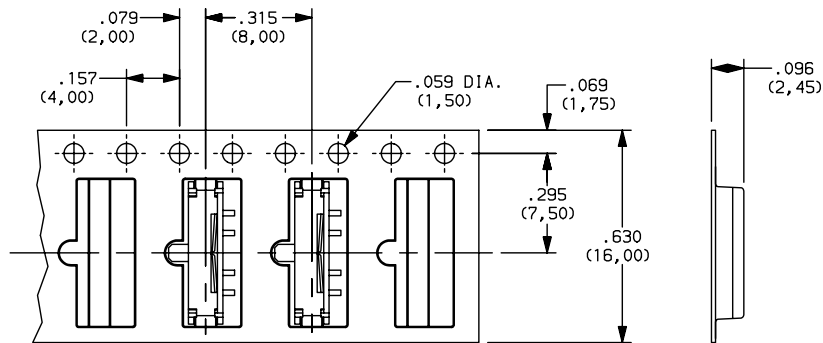
PC Mounting



Actuator shown in pos. 2



Tape & Reel



Note: For part number PCM13SMTR

Quantity per reel 3500



Disclaimer Notice - Information furnished is believed to be accurate and reliable. However, users should independently evaluate the suitability of and test each product selected for their own applications. Littelfuse products are not designed for, and may not be used in, all applications. Read complete Disclaimer Notice at <http://www.littelfuse.com/disclaimer-electronics>.