



Quality Products. Service Excellence.

100-400 W Control Panel Heater SHV Series

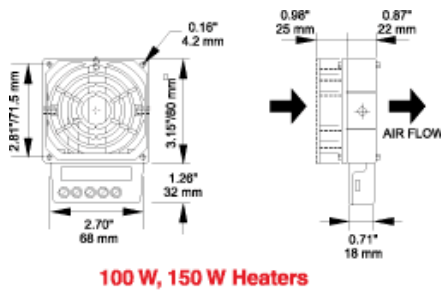


Features

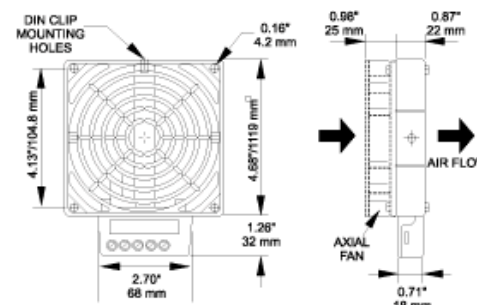
- When larger heating capacities or internal forced air circulation is required and space is limited.
- Compact design to prevent condensation or maintain minimum temperature in enclosures.
- Fan is included.

Accessories

- Temperature Controls and Accessories



100 W, 150 W Heaters



200 W, 300 W, 400 W Heaters

| Part No. | Watts | Operating Current (Amps) | Volts | Temperature Maximum with Fan |
|-----------|-------|--------------------------|--------|------------------------------|
| SHV031029 | 100 W | 0.89 | AC 120 | 250°F/120°C |
| SHV031039 | 150 W | 1.3 | AC 120 | 320°F/160°C |
| SHV031139 | 200 W | 1.79 | AC 120 | 250°F/120°C |
| SHV031149 | 300 W | 2.62 | AC 120 | 320°F/160°C |
| SHV031159 | 400 W | 3.45 | AC 120 | 360°F/180°C |

| | |
|--------------------|---|
| Operating Voltage: | AC 110 -120 V 50/60 Hz |
| Air Flow: | 20 CFM (100W, 150W heaters), 63 CFM (200W, 300W, 400W heaters) |
| Axial Fan: | Ball bearing |
| Durability: | 30,000 hrs. at 68°F ambient temperature |
| Heating Element: | Cartridge heater |
| Heating Body: | Die cast aluminum |
| Connection: | 5 pole terminal for 14 AWG (maximum) |
| G/L1/N1: | Heater |
| L2/N2: | Fan |
| Mounting: | Easily installed by clip mounting on 35 mm DIN rails (included) |
| Protection class: | 1 (tested for grounding at 1250 V) |
| Protection: | IP44 |
| Approval: | UL Recognized Component, cUL Recognized Component, CE |

