



*Image for illustrative purpose only*

## Summary

[Request a quote](#)

[Catalog](#)

Number of contacts Low Voltage	12
Wire Size/AWG	26 - 22
Gender	Standard
Socket / Receptacle	Socket / Receptacle - Fixed Panel Front Mounted
Locking system	Ratchet
Jacket cable outside diameter [mm]	6.50 - 13.00 mm
Size	2M
Suggested matching part	<a href="#">FMN.2M.312.XLC</a>
Series	M - Rugged Ratchet coupling

[https://www.lemo.com/int\\_en/solutions/optima/m-ratchet-coupling/edn-2m-312-xlm.html](https://www.lemo.com/int_en/solutions/optima/m-ratchet-coupling/edn-2m-312-xlm.html)

LEMO products and services are provided "as is". LEMO makes no warranties or representations with regard to LEMO product & services or use of them, express, implied or statutory, including for accuracy, completeness, or security. The user is fully responsible for his products and applications using LEMO components.

# Technical details

## Electrical Configuration

Contact Termination Low voltage	Crimp
R (max)	6.1 mOhm
Insert configuration value	2M.312 - 12 Low Voltage
Insulator	L: PEEK
Rated current	7 A
Test voltage (kV rms) Contact-contact	1.65
Test voltage (kV rms) Contact-shell	1.15
Contact retention	22 N
Contact Type	Crimp
Max. Conductor	0.34 mm <sup>2</sup> (AWG 22)
Min. Conductor	0.14 mm <sup>2</sup> (AWG 26)
Bucket Dia.	0.8 mm (0.031in)
Contact Dia.	0.7 mm (0.028in)
Number of contacts Low Voltage	12
Wire Size/AWG	26 - 22
Gender	Standard

## Form & Material

Shell style / Model id	ED - Fixed receptacle with square flange
Socket / Receptacle	Fixed Panel Front Mounted
Housing material	Aluminium (nickel plated [SAE AMS QQ N 290], anthracite color) shell and nut, other pieces bronze/brass
Locking system	Ratchet
Keying	N: 3 keys (beta=165, gamma=30, plug: male contacts, receptacle: female contacts)
Colour	Grey
Weight	8.02 g

[https://www.lemo.com/int\\_en/solutions/optima/m-ratchet-coupling/edn-2m-312-xlm.html](https://www.lemo.com/int_en/solutions/optima/m-ratchet-coupling/edn-2m-312-xlm.html)

LEMO products and services are provided "as is". LEMO makes no warranties or representations with regard to LEMO product & services or use of them, express, implied or statutory, including for accuracy, completeness, or security. The user is fully responsible for his products and applications using LEMO components.

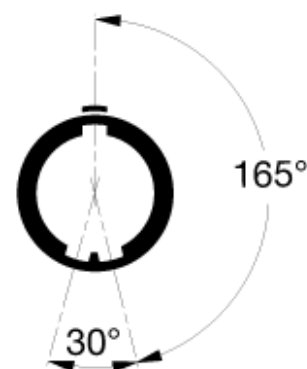
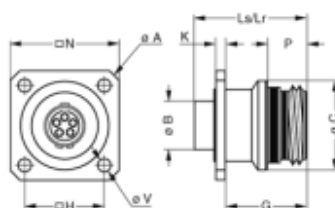
## Environment

Technical domain	Motorsport, Security and Defence, Transportation, Aerospace and UAV
Environmental sealing (IP rating)	IP68
Endurance	3000 mating cycles
Temperature range	-20°C / +200°C
EMI Shielding EIA 364-66A	>= 80 dB (1 GHz), >=70 dB (3 GHz), >= 58 dB (6 GHz), >= 40 dB (10 GHz)
Gunfire vibration	25 Hz - 2000 Hz, 3 axis (Apache helicopter)
Humidity (max)	21 days at 95%
Lighting strike EIA 364-76	10K amps - 6 times
Shock Resistance	300 g [ 3 ms]
Thermal shock	5 cycles: -65°C to +150°C
Vibration-Random	37.8 g rms - 3 axes, 4 hr amb [50 Hz - 2000 Hz]
Vibration-Sine	30 g, 3 axes, 12 hr [10 Hz - 2000 Hz]
Salt Spray Corrosion	max. 48 hr

## Cable fixation

Jacket cable outside diameter [mm]	6.50 - 13.00 mm
------------------------------------	-----------------

## Drawings



## Dimensions

	A	B	C	G	H	K	Ls	Lr	N	P	SV
mm.	26.9	8.95	17.2	12.8	15.1	1.5	18.3	18.3	20.6	5.3	3.3
in.	1.06	0.35	0.68	0.5	0.59	0.06	0.72	0.72	0.81	0.21	0.13

[https://www.lemo.com/int\\_en/solutions/optima/m-ratchet-coupling/edn-2m-312-xlm.html](https://www.lemo.com/int_en/solutions/optima/m-ratchet-coupling/edn-2m-312-xlm.html)

LEMO products and services are provided "as is". LEMO makes no warranties or representations with regard to LEMO product & services or use of them, express, implied or statutory, including for accuracy, completeness, or security. The user is fully responsible for his products and applications using LEMO components.

# Recommended By Lemo

## Accessories

---

Replacement contact [EGN.0M.655.ZZM](#)

---

Compatible cap [BGE.2M.200.XAZ](#)

## Tools

---

Positionner [DCE.91.070.3MVM](#)

---

Extraction tool [DCF.93.070.4LT](#)

---

Crimp tool [DPC.91.701.V](#)

[https://www.lemo.com/int\\_en/solutions/optima/m-ratchet-coupling/edn-2m-312-xlm.html](https://www.lemo.com/int_en/solutions/optima/m-ratchet-coupling/edn-2m-312-xlm.html)

LEMO products and services are provided "as is". LEMO makes no warranties or representations with regard to LEMO product & services or use of them, express, implied or statutory, including for accuracy, completeness, or security. The user is fully responsible for his products and applications using LEMO components.