

Image for illustrative purpose only

Summary

[Request a quote](#)

[Catalog](#)

Number of contacts Low Voltage	8
Gender	Standard
Socket / Receptacle	Socket / Receptacle - Elbow
Locking system	Push-pull
Size	1P
Series	REDEL P - Push-Pull

https://www.lemo.com/int_en/solutions/redel/redel-p-push-pull/pxa-m0-8gg-ng.html

LEMO products and services are provided "as is". LEMO makes no warranties or representations with regard to LEMO product & services or use of them, express, implied or statutory, including for accuracy, completeness, or security. The user is fully responsible for his products and applications using LEMO components.

Technical details

Electrical Configuration

Contact Termination Low voltage	PCB - Straight
R (max)	6.5 mOhm
Insert configuration value	1P.M08 - 8 Low Voltage
Insulator	G: PSU gray
Rated current	5 A
Test voltage (kV rms) Contact-contact	1.05
Contact Type	Print (straight)
Air clearance	0.6 mm
Creepage distance	0.6 mm
Contact Dia.	0.7 mm (0.0275in)
Number of contacts Low Voltage	8
Gender	Standard

Form & Material

Shell style / Model id	PX - Elbow receptacle key (G) or keys (A,B,C) with two nuts for printed circuit
Socket / Receptacle	Elbow
Housing material	PSU (Polysulfone), gray
Locking system	Push-pull
Keying	A: 2 keys (alpha=40, Plug: male contacts, Receptacle: female contacts)
Colour	Grey
Variant	Gray front nut
Weight	12.47 g

https://www.lemo.com/int_en/solutions/redel/redel-p-push-pull/pxa-m0-8gg-ng.html

LEMO products and services are provided "as is". LEMO makes no warranties or representations with regard to LEMO product & services or use of them, express, implied or statutory, including for accuracy, completeness, or security. The user is fully responsible for his products and applications using LEMO components.

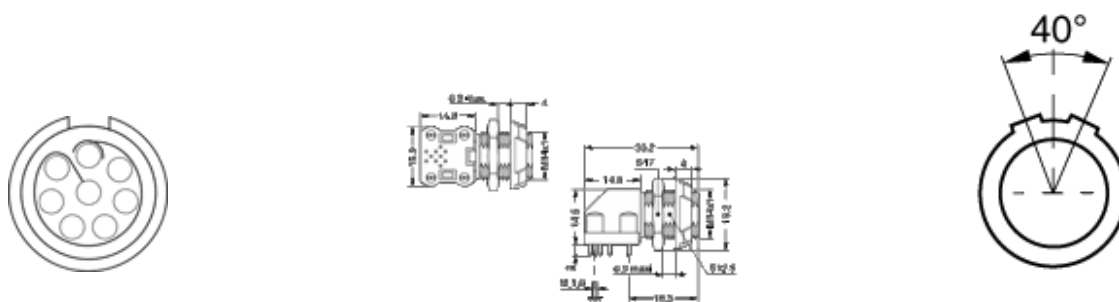
Environment

Technical domain	Energy and Industrial, Medical, Test and Measurement, Transportation, Aerospace and UAV
Environmental sealing (IP rating)	IP50
Endurance	> 5000 mating cycles
Temperature range	-50°C / +150°C
F ret (max)	150 N
F ret (min)	50 N
Steam sterilization	Fully sterilizable (Steam, Gamma, ETO) following our protocols and tests in line with ISO 11134 and IEC 60601-1 standards. For more details on sterilization methods and cycles, please contact us.

Cable fixation

Cable termination protection	Standard back nut (no additional protection)
Fixation type	Cable collet

Drawings



Dimensions

	L	A	e	E	S1	S2
mm.	30.2	19.2	M14x1	6.9 max	S12.5	S17
in.	1.19	0.76				

https://www.lemo.com/int_en/solutions/redel/redel-p-push-pull/pxa-m0-8gg-ng.html

LEMO products and services are provided "as is". LEMO makes no warranties or representations with regard to LEMO product & services or use of them, express, implied or statutory, including for accuracy, completeness, or security. The user is fully responsible for his products and applications using LEMO components.

Recommended By Lemo

Accessories

Compatible cap [PBG.200.BMV](#)

Tools

Spanner [POB.186.GN](#)

https://www.lemo.com/int_en/solutions/redel/redel-p-push-pull/pxa-m0-8gg-ng.html

LEMO products and services are provided "as is". LEMO makes no warranties or representations with regard to LEMO product & services or use of them, express, implied or statutory, including for accuracy, completeness, or security. The user is fully responsible for his products and applications using LEMO components.