



Image for illustrative purpose only

Summary

[Request a quote](#)

[Catalog](#)

Number of contacts Low Voltage	10
Gender	Standard
Socket / Receptacle	Socket / Receptacle - Fixed Panel Rear Mounted
Locking system	Push-pull
Size	1P
Suggested matching part	PAA.M1.0SL.AC39GZ
Series	REDEL P - Push-Pull

https://www.lemo.com/int_en/solutions/redel/redel-p-push-pull/pka-m1-0sl-vg.html

LEMO products and services are provided "as is". LEMO makes no warranties or representations with regard to LEMO product & services or use of them, express, implied or statutory, including for accuracy, completeness, or security. The user is fully responsible for his products and applications using LEMO components.

Technical details

Electrical Configuration

Contact Termination Low voltage	PCB - Elbow
R (max)	8.5 mOhm
Insert configuration value	1P.M10 - 10 Low Voltage
Insulator	L: PEEK (UL 94 / V-0/1.5)
Rated current	3 A
Test voltage (kV rms) Contact-contact	0.85
Contact Type	Print (elbow)
Air clearance	0.45 mm
Creepage distance	0.45 mm
Contact Dia.	0.5 mm (0.0201in)
Number of contacts Low Voltage	10
Gender	Standard

Form & Material

Shell style / Model id	PK - Fixed receptacle with two nuts (back panel mounting), 90° print contacts
Socket / Receptacle	Fixed Panel Rear Mounted
Housing material	PEI (Polyetherimide), gray
Locking system	Push-pull
Keying	A: 2 keys (alpha=40, Plug: male contacts, Receptacle: female contacts)
Colour	Grey
Variant	Gray front nut
Weight	6.36 g

https://www.lemo.com/int_en/solutions/redel/redel-p-push-pull/pka-m1-0sl-vg.html

LEMO products and services are provided "as is". LEMO makes no warranties or representations with regard to LEMO product & services or use of them, express, implied or statutory, including for accuracy, completeness, or security. The user is fully responsible for his products and applications using LEMO components.

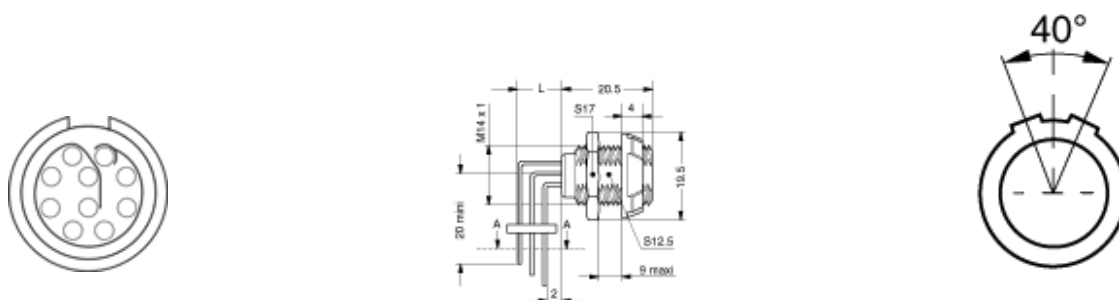
Environment

Technical domain	Energy and Industrial, Medical, Test and Measurement, Transportation, Aerospace and UAV
Environmental sealing (IP rating)	IP50
Endurance	> 5000 mating cycles
Temperature range	-50°C / +170°C
F ret (max)	150 N
F ret (min)	50 N
Steam sterilization	Fully sterilizable (Steam, Gamma, ETO) following our protocols and tests in line with ISO 11134 and IEC 60601-1 standards. For more details on sterilization methods and cycles, please contact us.

Cable fixation

Cable termination protection	Standard back nut (no additional protection)
Fixation type	Cable collet

Drawings



Dimensions

	A	L	N
mm.	19.5	5.2-12.9	20.5
in.	0.77		0.81

https://www.lemo.com/int_en/solutions/redel/redel-p-push-pull/pka-m1-0sl-vg.html

LEMO products and services are provided "as is". LEMO makes no warranties or representations with regard to LEMO product & services or use of them, express, implied or statutory, including for accuracy, completeness, or security. The user is fully responsible for his products and applications using LEMO components.

Recommended By Lemo

Accessories

Compatible cap [PBG.200.BMV](#)

Tools

Spanner [POB.186.GN](#)

https://www.lemo.com/int_en/solutions/redel/redel-p-push-pull/pka-m1-0sl-vg.html

LEMO products and services are provided "as is". LEMO makes no warranties or representations with regard to LEMO product & services or use of them, express, implied or statutory, including for accuracy, completeness, or security. The user is fully responsible for his products and applications using LEMO components.