



*Image for illustrative purpose only*

## Summary

[Request a quote](#)

[Catalog](#)

|                                |  |
|--------------------------------|--|
| Number of contacts Low Voltage | 10   |
| Gender                         | Standard                                       |
| Socket / Receptacle            | Socket / Receptacle - Fixed Panel Rear Mounted |
| Locking system                 | Push-pull                                      |
| Size                           | 1P   |
| Suggested matching part        | <a href="#">PAG.M1.0GL.AC39Z</a>               |
| Series                         | REDEL P - Push-Pull                            |

[https://www.lemo.com/int\\_en/solutions/redel/redel-p-push-pull/pkg-m1-0gl-vz.html](https://www.lemo.com/int_en/solutions/redel/redel-p-push-pull/pkg-m1-0gl-vz.html)

LEMO products and services are provided "as is". LEMO makes no warranties or representations with regard to LEMO product & services or use of them, express, implied or statutory, including for accuracy, completeness, or security. The user is fully responsible for his products and applications using LEMO components.

# Technical details

## Electrical Configuration

|                                       |                           |
|---------------------------------------|---------------------------|
| Contact Termination Low voltage       | PCB - Elbow               |
| R (max)                               | 8.5 mOhm                  |
| Insert configuration value            | 1P.M10 - 10 Low Voltage   |
| Insulator                             | L: PEEK (UL 94 / V-0/1.5) |
| Rated current                         | 3 A                       |
| Test voltage (kV rms) Contact-contact | 0.85                      |
| Contact Type                          | Print (elbow)             |
| Air clearance                         | 0.45 mm                   |
| Creepage distance                     | 0.45 mm                   |
| Contact Dia.                          | 0.5 mm (0.0201in)         |
| Number of contacts Low Voltage        | 10                        |
| Gender                                | Standard                  |

## Form & Material

|                        |   |
|------------------------|---|
| Shell style / Model id | PK - Fixed receptacle with two nuts (back panel mounting), 90° print contacts |
| Socket / Receptacle    | Fixed Panel Rear Mounted  |
| Housing material       | PSU (Polysulfone), gray   |
| Locking system         | Push-pull   |
| Keying                 | G: 1 key (alpha=0, plug: male contacts, receptacle: female contacts)          |
| Variant                | without front nut   |
| Weight                 | 5.9 g   |

[https://www.lemo.com/int\\_en/solutions/redel/redel-p-push-pull/pkg-m1-0gl-vz.html](https://www.lemo.com/int_en/solutions/redel/redel-p-push-pull/pkg-m1-0gl-vz.html)

LEMO products and services are provided "as is". LEMO makes no warranties or representations with regard to LEMO product & services or use of them, express, implied or statutory, including for accuracy, completeness, or security. The user is fully responsible for his products and applications using LEMO components.

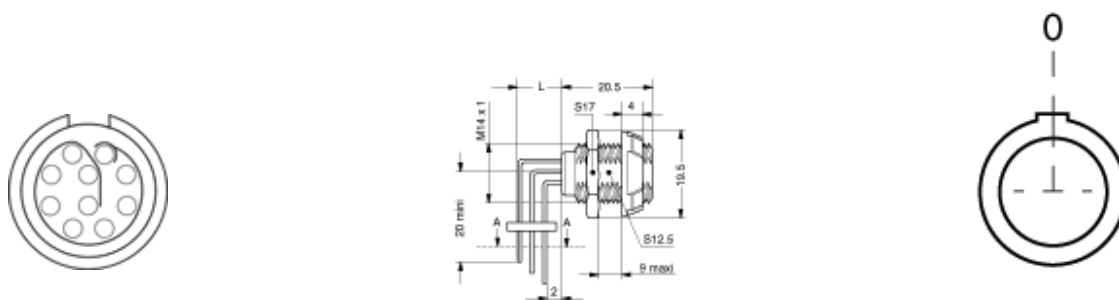
## Environment

|                                   |   |
|-----------------------------------|---|
| Technical domain                  | Energy and Industrial, Medical, Test and Measurement, Transportation, Aerospace and UAV   |
| Environmental sealing (IP rating) | IP50  |
| Endurance                         | > 5000 mating cycles  |
| Temperature range                 | -50°C / +150°C  |
| F ret (max)                       | 150 N   |
| F ret (min)                       | 50 N  |
| Steam sterilization               | Fully sterilizable (Steam, Gamma, ETO) following our protocols and tests in line with ISO 11134 and IEC 60601-1 standards. For more details on sterilization methods and cycles, please contact us. |

## Cable fixation

|                              |                       |
|------------------------------|-----------------------|
| Cable termination protection | For cable bend relief |
| Fixation type                | Cable collet          |

## Drawings



## Dimensions

|     | A    | L        | N    |
|-----|------|----------|------|
| mm. | 19.5 | 5.2-12.9 | 20.5 |
| in. | 0.77 |          | 0.81 |

[https://www.lemo.com/int\\_en/solutions/redel/redel-p-push-pull/pkg-m1-0gl-vz.html](https://www.lemo.com/int_en/solutions/redel/redel-p-push-pull/pkg-m1-0gl-vz.html)

LEMO products and services are provided "as is". LEMO makes no warranties or representations with regard to LEMO product & services or use of them, express, implied or statutory, including for accuracy, completeness, or security. The user is fully responsible for his products and applications using LEMO components.

# Recommended By Lemo

## Accessories

---

Compatible cap [PBG.200.BMV](#)

## Tools

---

Spanner [POB.186.GN](#)

[https://www.lemo.com/int\\_en/solutions/redel/redel-p-push-pull/pkg-m1-0gl-vz.html](https://www.lemo.com/int_en/solutions/redel/redel-p-push-pull/pkg-m1-0gl-vz.html)

LEMO products and services are provided "as is". LEMO makes no warranties or representations with regard to LEMO product & services or use of them, express, implied or statutory, including for accuracy, completeness, or security. The user is fully responsible for his products and applications using LEMO components.