



Image for illustrative purpose only

## Summary

[Request a quote](#)

[Catalog](#)

Number of contacts Low Voltage	7
Wire Size/AWG	26 - 22
Gender	Standard
Socket / Receptacle	Socket / Receptacle - Fixed Panel Rear Mounted
Locking system	Push-pull
Size	1P
Suggested matching part	<a href="#">PAA.M0.7GL.AC39J</a>
Series	REDEL P - Push-Pull

[https://www.lemo.com/int\\_en/solutions/redel/redel-p-push-pull/pka-m0-7gl-vj.html](https://www.lemo.com/int_en/solutions/redel/redel-p-push-pull/pka-m0-7gl-vj.html)

LEMO products and services are provided "as is". LEMO makes no warranties or representations with regard to LEMO product & services or use of them, express, implied or statutory, including for accuracy, completeness, or security. The user is fully responsible for his products and applications using LEMO components.

# Technical details

## Electrical Configuration

Contact Termination Low voltage	PCB - Elbow
R (max)	6.5 mOhm
Insert configuration value	1P.M07 - 7 Low Voltage
Insulator	L: PEEK (UL 94 / V-0/1.5)
Rated current	5 A
Test voltage (kV rms) Contact-contact	1.05
Contact Type	Print (elbow)
Air clearance	0.85 mm
Creepage distance	0.85 mm
Contact Dia.	0.7 mm (0.0275in)
Number of contacts Low Voltage	7
Wire Size/AWG	26 - 22
Gender	Standard

## Form & Material

Shell style / Model id	PK - Fixed receptacle with two nuts (back panel mounting), 90° print contacts
Socket / Receptacle	Fixed Panel Rear Mounted
Housing material	PSU (Polysulfone), gray
Locking system	Push-pull
Keying	A: 2 keys (alpha=40, Plug: male contacts, Receptacle: female contacts)
Colour	Grey - Yellow
Variant	Yellow front nut
Weight	5.76 g

[https://www.lemo.com/int\\_en/solutions/redel/redel-p-push-pull/pka-m0-7gl-vj.html](https://www.lemo.com/int_en/solutions/redel/redel-p-push-pull/pka-m0-7gl-vj.html)

LEMO products and services are provided "as is". LEMO makes no warranties or representations with regard to LEMO product & services or use of them, express, implied or statutory, including for accuracy, completeness, or security. The user is fully responsible for his products and applications using LEMO components.

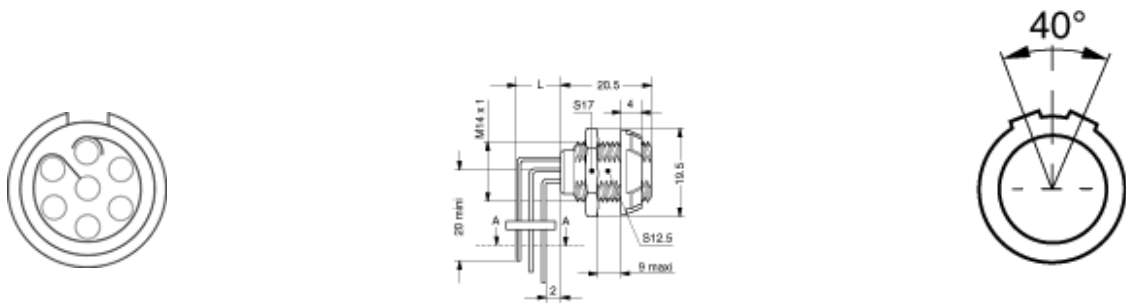
## Environment

Technical domain	Energy and Industrial, Medical, Test and Measurement, Transportation, Aerospace and UAV
Environmental sealing (IP rating)	IP50
Endurance	> 5000 mating cycles
Temperature range	-50°C / +150°C
F ret (max)	150 N
F ret (min)	50 N
Steam sterilization	Fully sterilizable (Steam, Gamma, ETO) following our protocols and tests in line with ISO 11134 and IEC 60601-1 standards. For more details on sterilization methods and cycles, please contact us.

## Cable fixation

Cable termination protection	Standard back nut (no additional protection)
Fixation type	Cable collet

## Drawings



## Dimensions

	A	L	N
mm.	19.5	5.2-12.9	20.5
in.	0.77		0.81

[https://www.lemo.com/int\\_en/solutions/redel/redel-p-push-pull/pka-m0-7gl-vj.html](https://www.lemo.com/int_en/solutions/redel/redel-p-push-pull/pka-m0-7gl-vj.html)

LEMO products and services are provided "as is". LEMO makes no warranties or representations with regard to LEMO product & services or use of them, express, implied or statutory, including for accuracy, completeness, or security. The user is fully responsible for his products and applications using LEMO components.

# Recommended By Lemo

## Accessories

---

Compatible cap [PBG.200.BMV](#)

## Tools

---

Spanner [POB.186.GN](#)

[https://www.lemo.com/int\\_en/solutions/redel/redel-p-push-pull/pka-m0-7gl-vj.html](https://www.lemo.com/int_en/solutions/redel/redel-p-push-pull/pka-m0-7gl-vj.html)

LEMO products and services are provided "as is". LEMO makes no warranties or representations with regard to LEMO product & services or use of them, express, implied or statutory, including for accuracy, completeness, or security. The user is fully responsible for his products and applications using LEMO components.