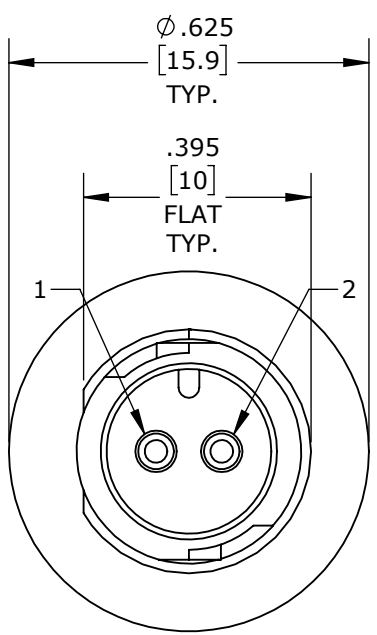


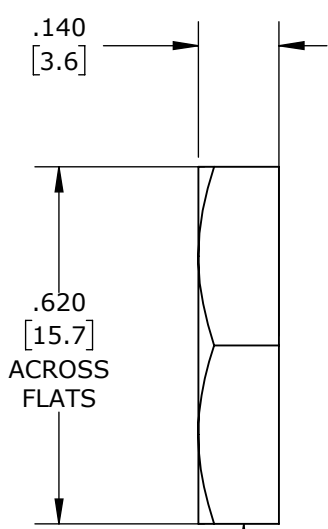
MFG. ENG.	APPROVED BY:	DATE:	APPROVED BY:	DATE:
	QA			

PART NO.	NO. OF PINS
W17280-2PG-P-300	2
W17280-3PG-P-300	3

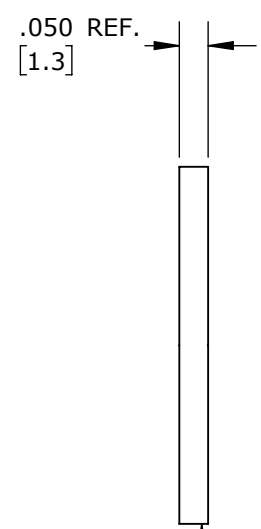
- NOTES:**
1. ALL PARTS ARE BULK PACKED.
  2. REFER TO DRAWING HPMCSTD FOR CONTACT PATTERNS.
  3. ALL DIMENSIONS ARE REFERENCE ONLY IN INCHES [mm], WITHIN ±0.015 UNLESS OTHERWISE NOTED.



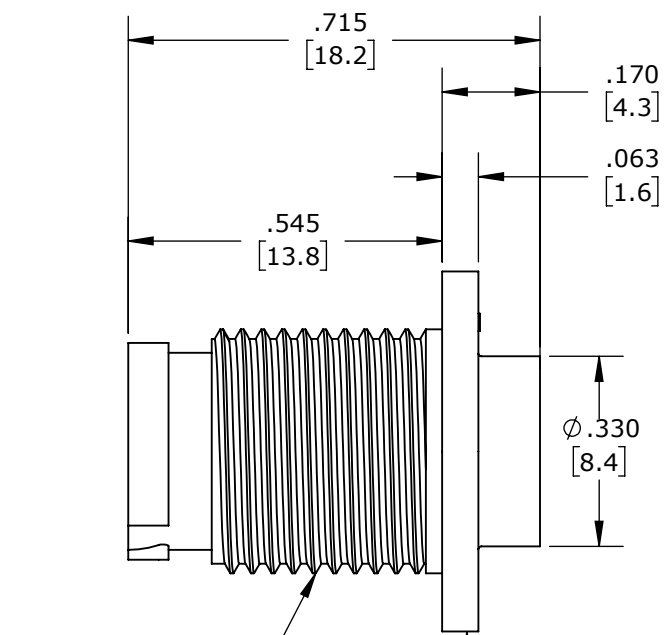
**FACE VIEW**  
W17280-2PG-P-300



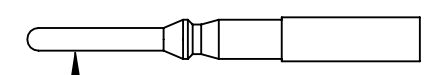
**5/8 IN. HEX NUT**  
MAT'L: THERMOPLASTIC, BLACK



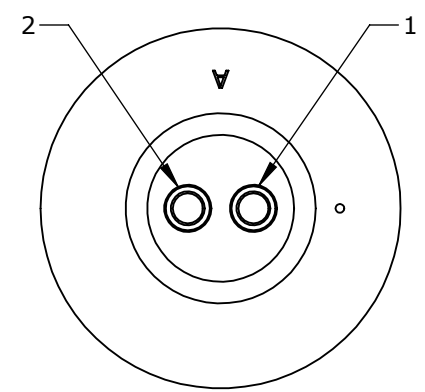
**GASKET**  
MAT'L: ELASTOMER, BLACK



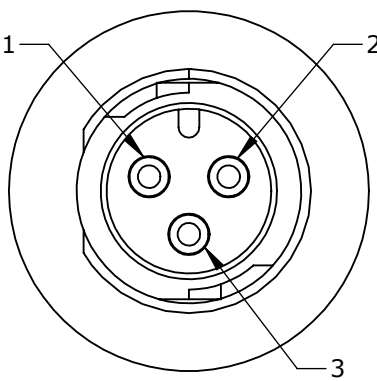
**7/16-28 UNEF-2A  
THREAD MOD.**  
**PANEL CONNECTOR, MALE**  
MAT'L: THERMOPLASTIC, BLACK



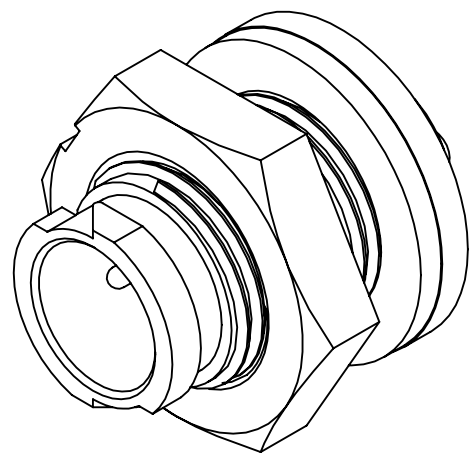
**(2-3) #20 PIN CONTACTS  
WITH CRIMP TAIL**  
MAT'L: GOLD PLATED, COPPER ALLOY



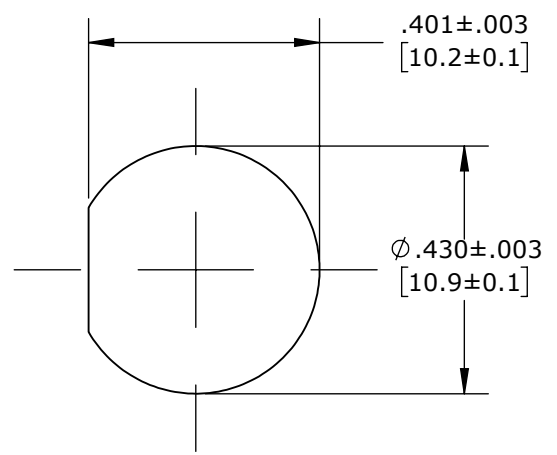
**WIRE VIEW**  
W17280-2PG-P-300



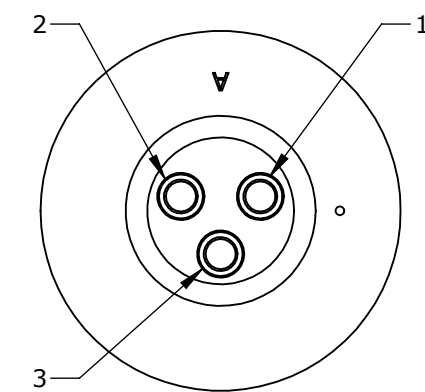
**FACE VIEW**  
W17280-3PG-P-300



**ASSEMBLED VIEW**  
FOR CUSTOMER REF. ONLY



**RECOMMENDED PANEL CUTOUT**



**WIRE VIEW**  
W17280-3PG-P-300

**PRELIMINARY**

DIMENSIONS IS BRACKETS [ ] ARE METRIC

**CUSTOMER APPROVAL**

THIS DOCUMENT CONTAINS CONFIDENTIAL INFORMATION PROPRIETARY TO CONXALL CORPORATION. ANY REPRODUCTION, DISCLOSURE, OR USE OF THIS DOCUMENT / INFORMATION IS EXPRESSLY PROHIBITED UNLESS AUTHORIZED IN WRITING BY CONXALL CORPORATION.

APPROVED BY: \_\_\_\_\_

DATE: \_\_\_\_\_

**RoHS COMPLIANT**

0A	JGK	8/12/19	DRAWING CREATED FOR PDR #18004.	
REV.	INIT.	DATE	DESCRIPTION	
	JGK	8/12/19	ALL INFORMATION ILLUSTRATED IS THE PROPERTY OF "CONXALL CORPORATION". UNAUTHORIZED DUPLICATION OR DISTRIBUTION OF THIS DOCUMENT IS PROHIBITED. ALL UNITS ARE IN FEET, INCHES, FRACTION OF INCHES AND DECIMALS. UNLESS OTHERWISE SPECIFIED TOLERANCES: 3 PLACE DECIMALS ±.005 ANGLES ±1° FRACTIONS ±1/16 ▽ - CRITICAL CHARACTERISTIC FLAG PER SPEC. XXXX	
APPROVED BY:			 601 E. WILDWOOD VILLA PARK, IL 60181	
CHECKED BY:				
TITLE:			PANEL MOUNT ASSEMBLY (2-3) #20 PIN CONTACTS, CRIMP TAIL INSTA-CLICK, MICRO-CON-X STANDARD PRODUCT	
SCALE:			CUSTOMER:	
SIZE:			PART NUMBER:	
SHEET:			REV:	
1 OF 1			0A	
FILE:			PART NUMBER:	
W17280-XPG-P-300			W17280-XPG-P-300	
DIRECTORY:			REV:	
SLW			0A	

CUSTOMER PRINT

PART NUMBER: W17280-XPG-P-300