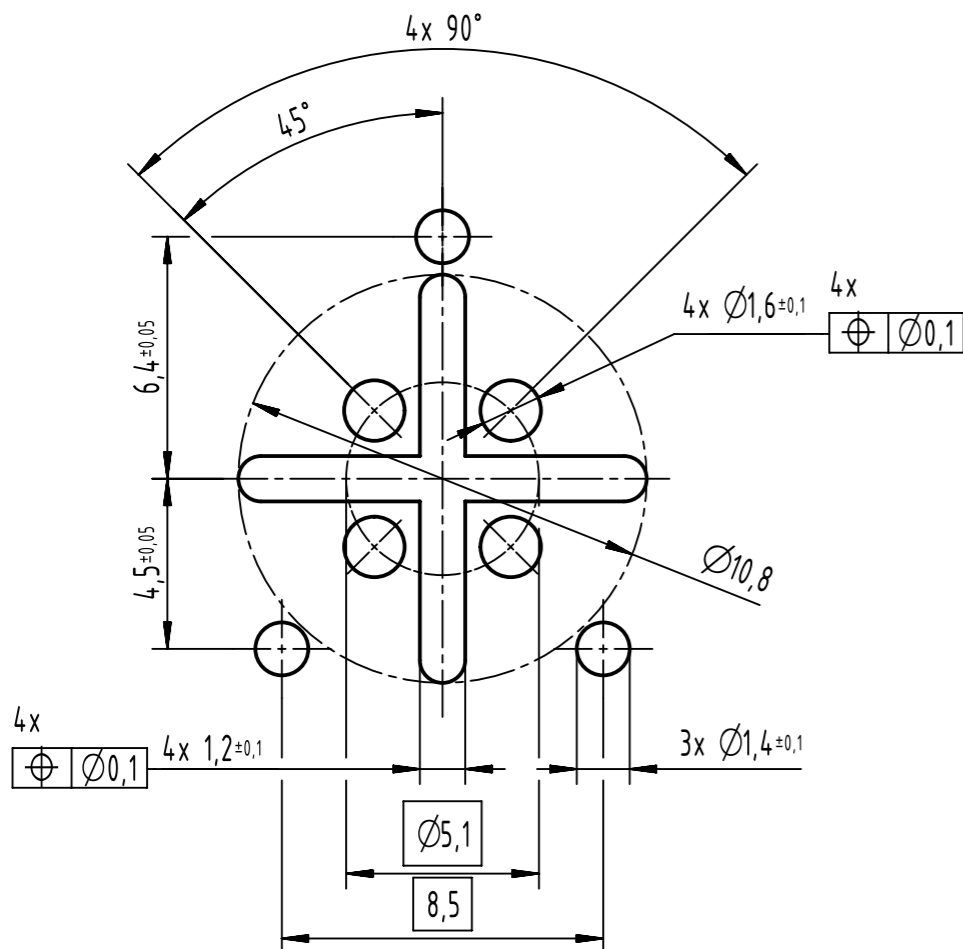
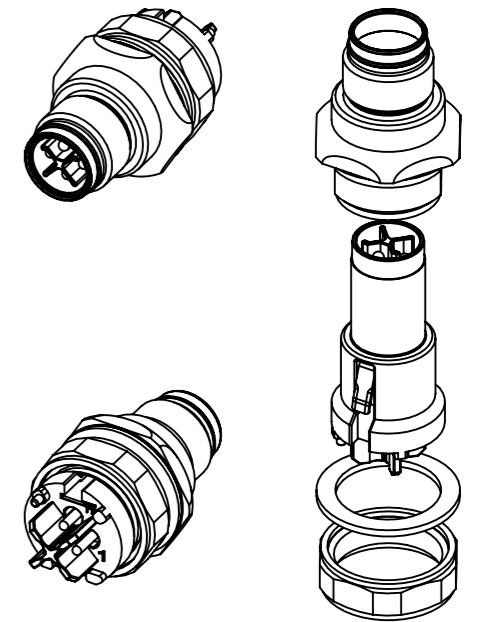
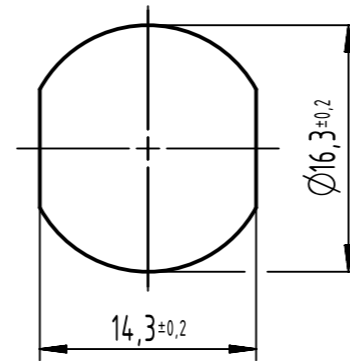


recommended PCB-layout
(5:1)

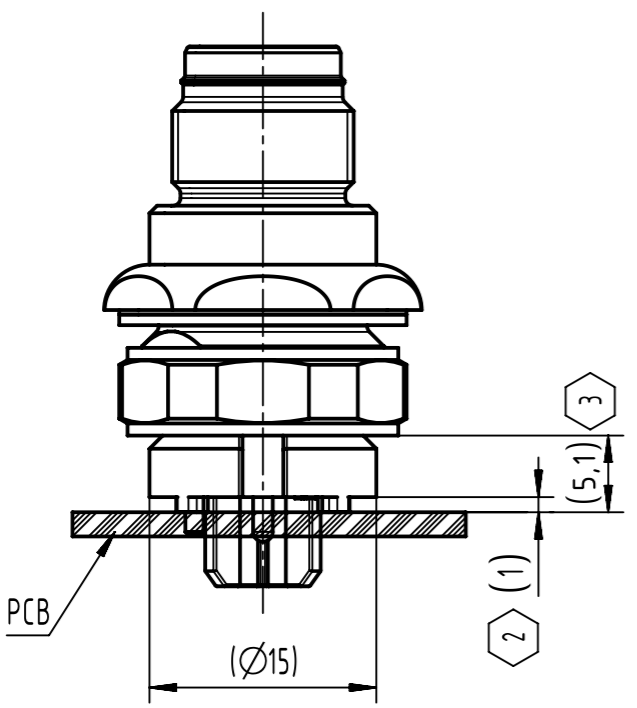
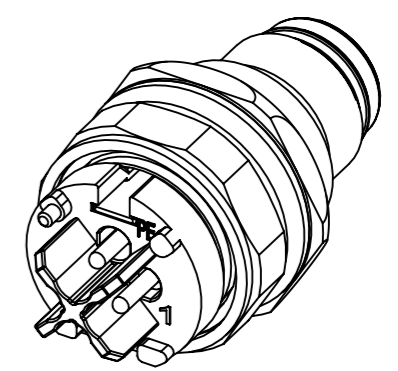
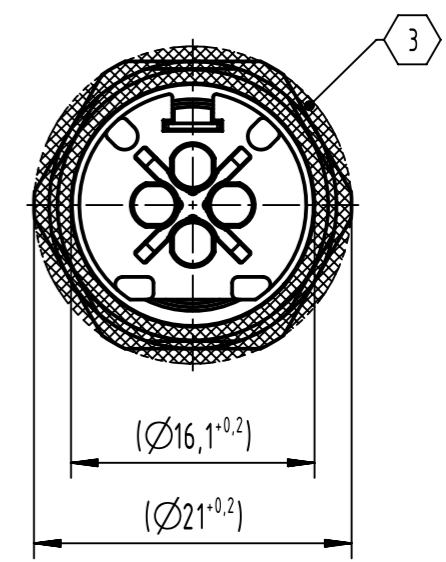
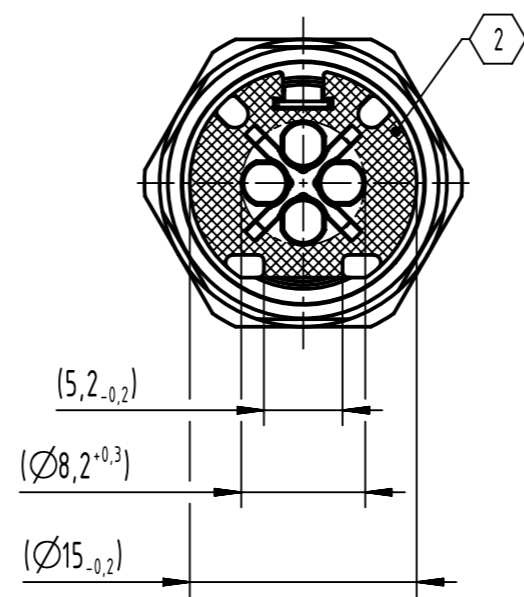
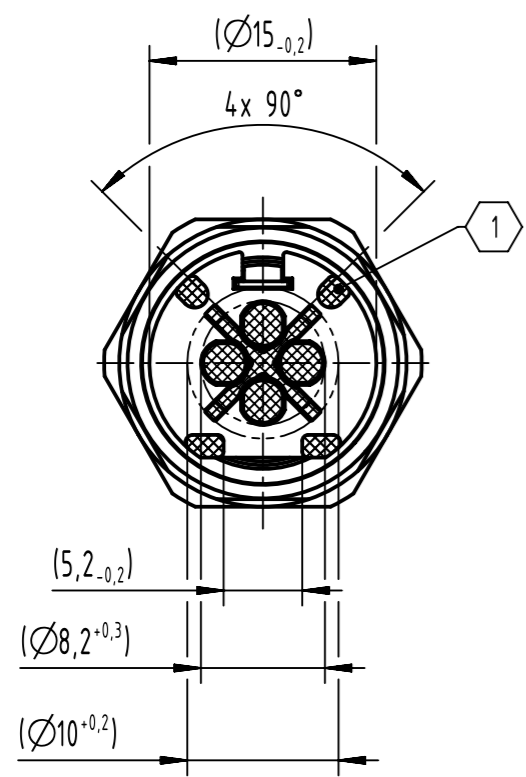


panel cut out



- recommended PCB: 1.6mm
- recommended torque for the lock nut: 2.0Nm
- 1 pcs. single package

	All Dimensions in mm Original Size DIN A3	Scale 2:1	Free size tol.	Ref.
	All rights reserved Department EL PD	Created by 402918	Inspected by MICLAUS	Standardisation ROEBEN
HARTING D-32339 Espelkamp	Title M12-PCB-THR-2PC-4P-SCOD-M-STR-SHLD			Date 2021-12-06
	Type TB			Number 21033091431
				Doc-Key / ECM-Nr. 100799965/UGD/002/D 50000207442
				Rev. D
				Page 1/2



- 1 the area where no component on the PCB is allowed
- 2 the area where components of max. 0.9mm height are allowed on the PCB
- 3 starting from $\text{Ø}16,1^{+0,2}$, the maximum height of the components on the PCB is 4mm

	All Dimensions in mm Original Size DIN A3	Scale 2:1	Free size tol.	Ref.	
				Sub.	
	All rights reserved Department EL PD	Created by 402918	Inspected by MICLAUS	Standardisation ROEBEN	Date 2021-12-06
		Title M12-PCB-THR-2PC-4P-SCOD-M-STR-SHLD			State Final Release
	D-32339 Espelkamp	Type TB	Number 21033091431	Doc-Key / ECM-Nr. 100799965/UGD/002/D 50000207442	Rev. D
					Page 2/2