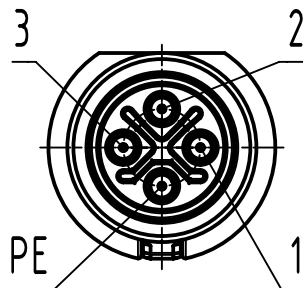
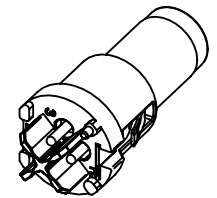
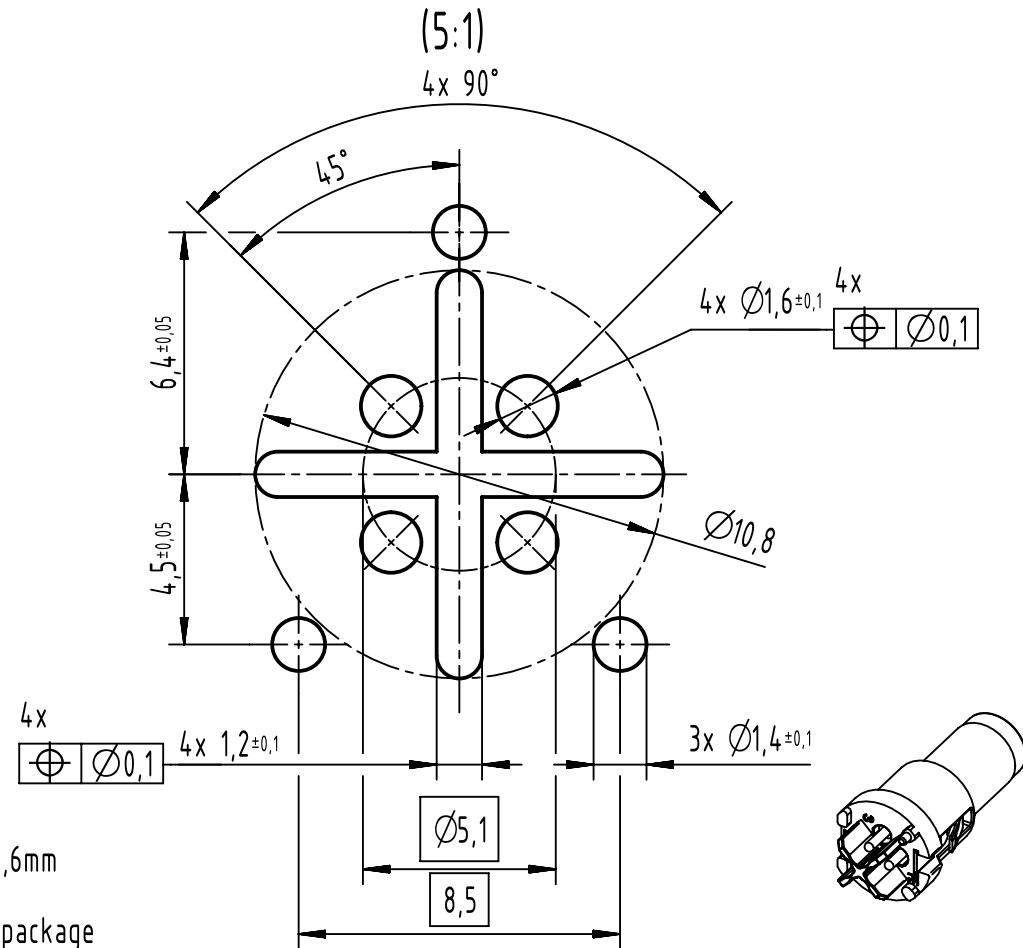


contact face based on
IEC 61076-2-111



recommended PCB-layout



- recommended PCB: 1,6mm

- 30 pcs. carton box package

	All rights reserved Department EL PD	All Dimensions in mm Original Size DIN A4		Scale 2:1	Free size tol.	Ref. Sub.	
		Created by 402918	Inspected by MICLAUS	Standardisation ROEBEN	Date 2021-12-06	State Final Release	
HARTING D-32339 Espelkamp		Title M12-PCB-THR-2PC-4P-SCOD-M-STR-SHLD				Doc-Key / ECM-Nr. 100833667/UGD/006/D 500000207442	
		Type TB	Number 21033091400			Rev. D	Page 1/1