

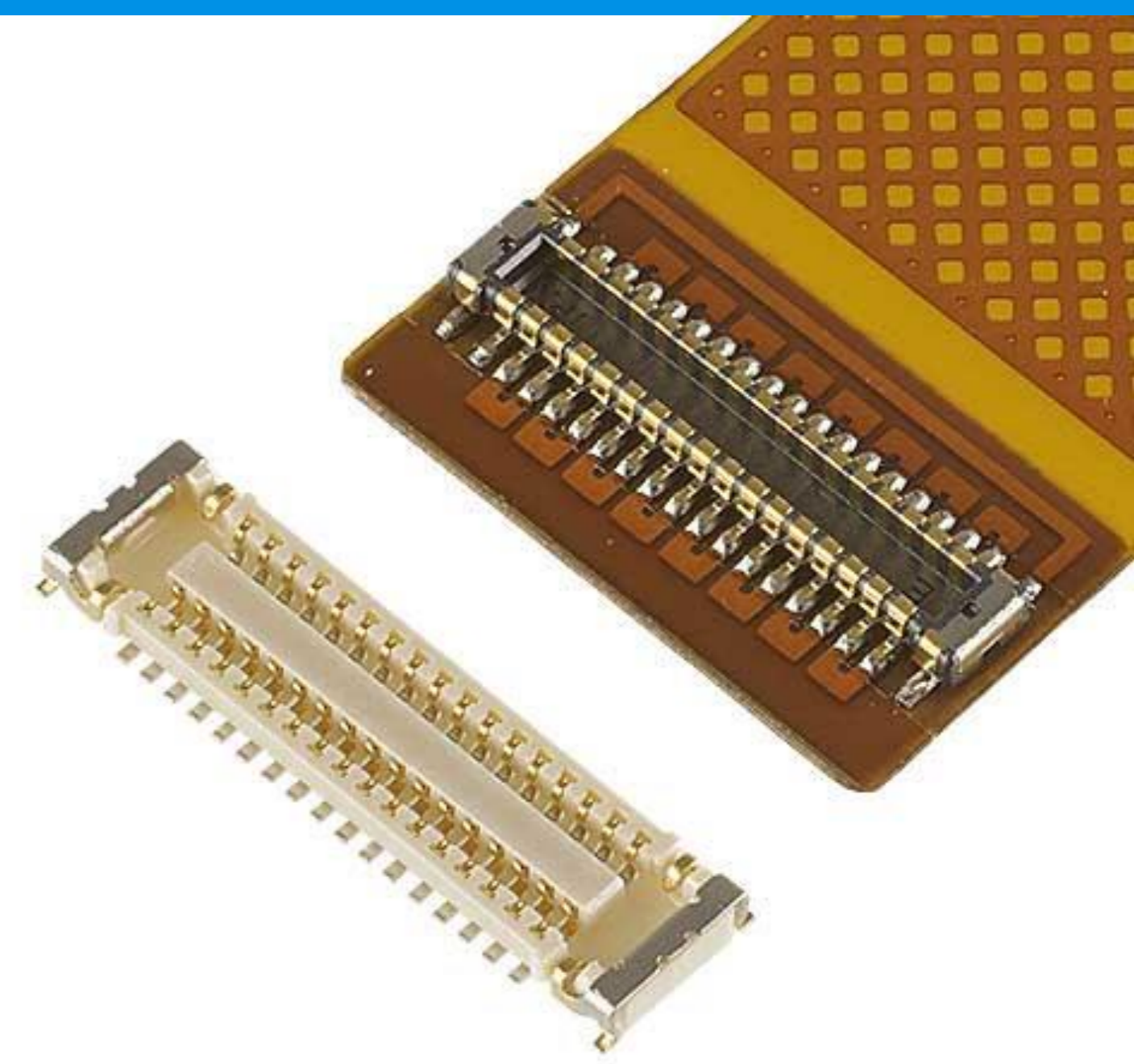
NOVASTACK® 35-P

Robust connector with hold-down feature and Corson Alloy main contact to transmit power lines, 0.35 mm pitch, 0.7 mm height, 2.3 mm depth

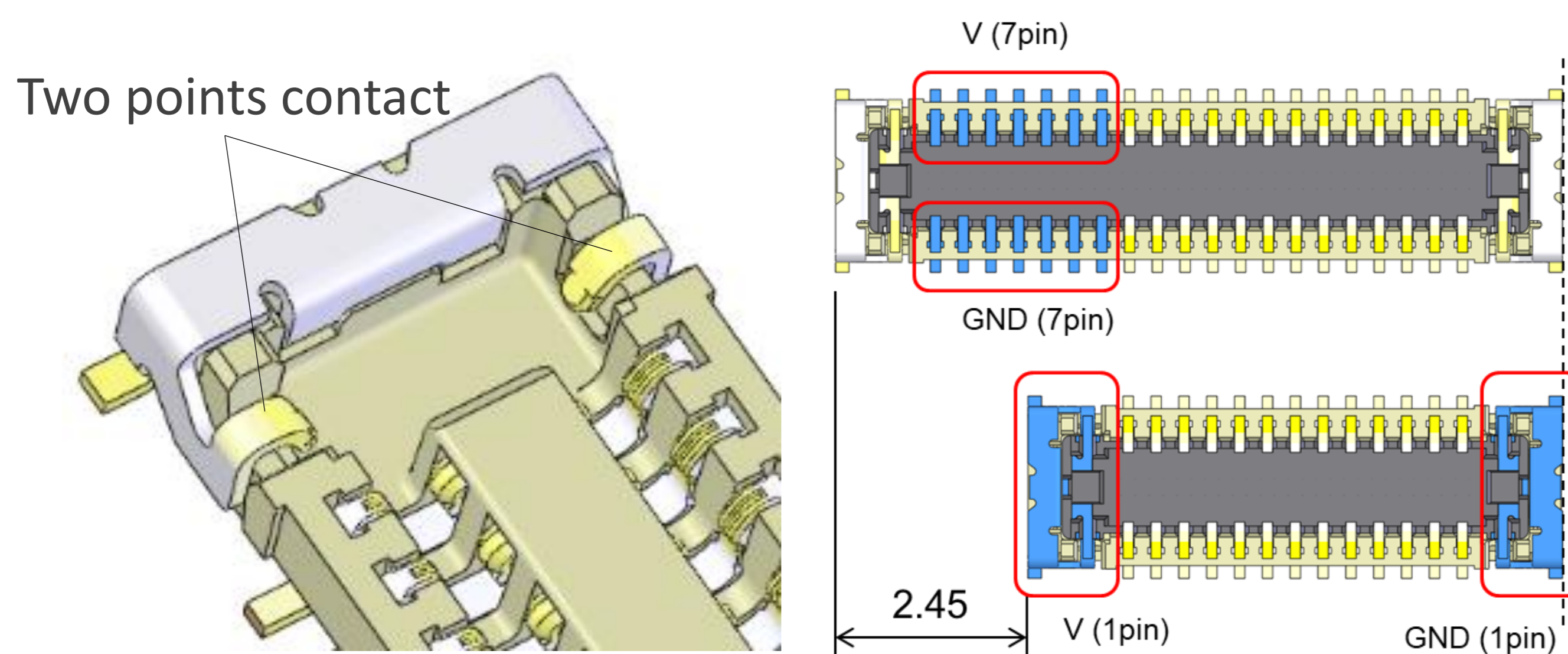
Product Specifications:

Board Pitch (mm)	0.35	
Wiping Length (mm)	0.19 (10~50 P), 0.13 (52~80 P)	
Mated Size (mm)	Height	0.7+/-0.1
	Width	Formula: $2.17 + (0.35 * p/2)$
	Depth	2.3
Current Rating	Signal	0.3 A/pin
	Power	2.0 A/pin x 2
Pin Counts	Range	10 - 80 (signal) + 2 (power)
	Available	10, 14, 18, 20, 24, 30, 34, 40, 50, 60

* Please inquire for pin counts not listed or outside of the pin count range.

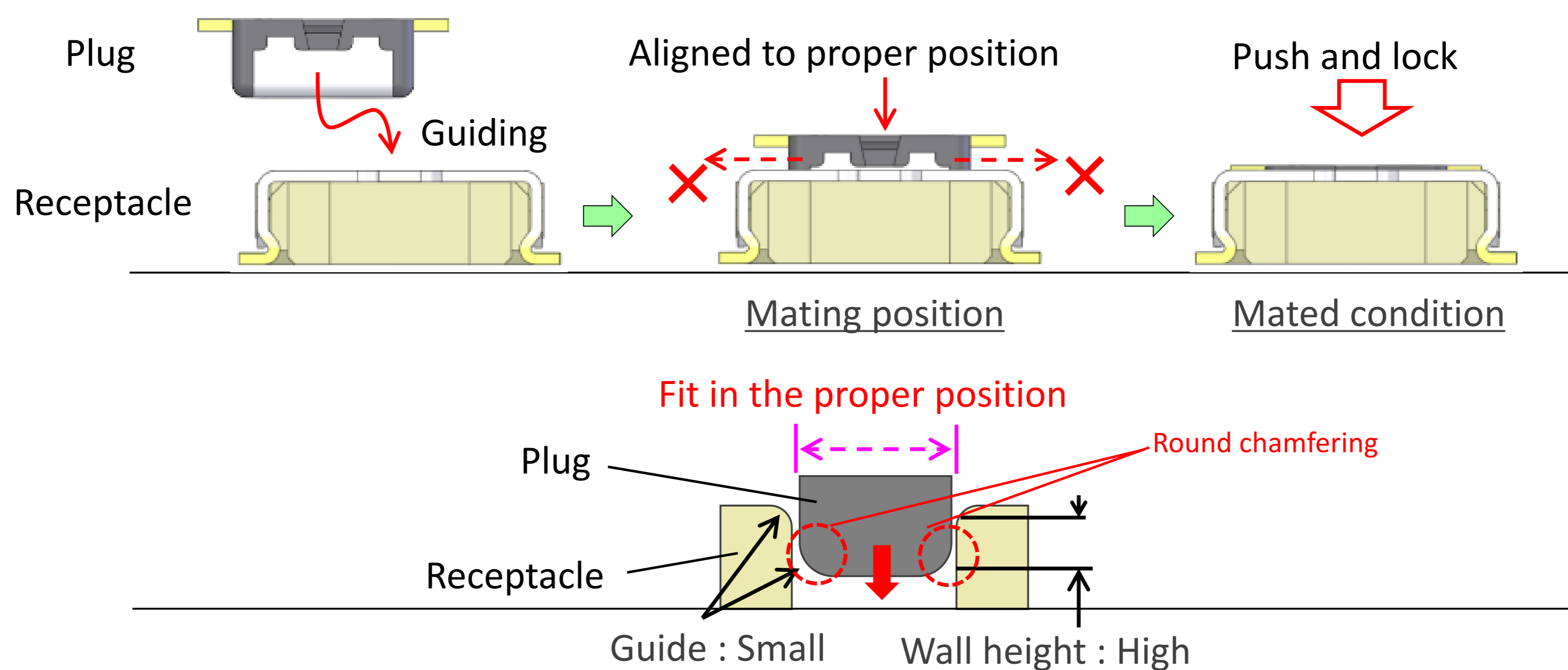


► Hold down feature can be a 2 A x 2 terminal for power supply

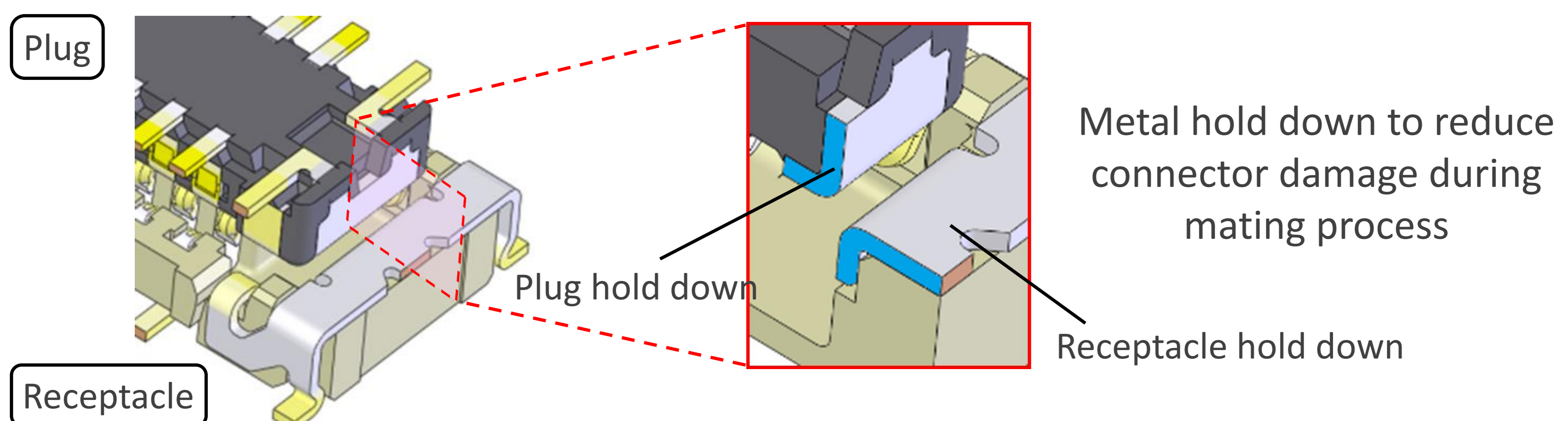


2 A/pin power pin minimizes total pin count and length

► Metal guide for easy operation



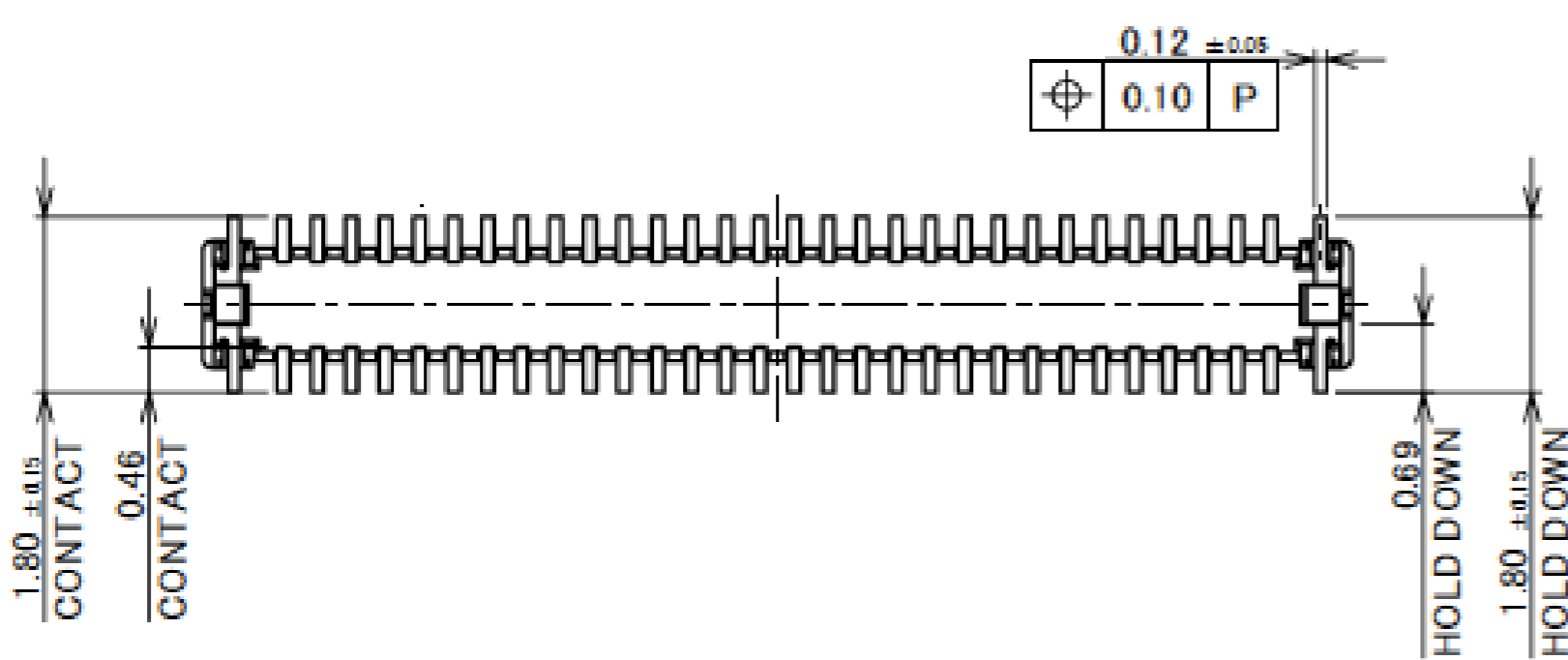
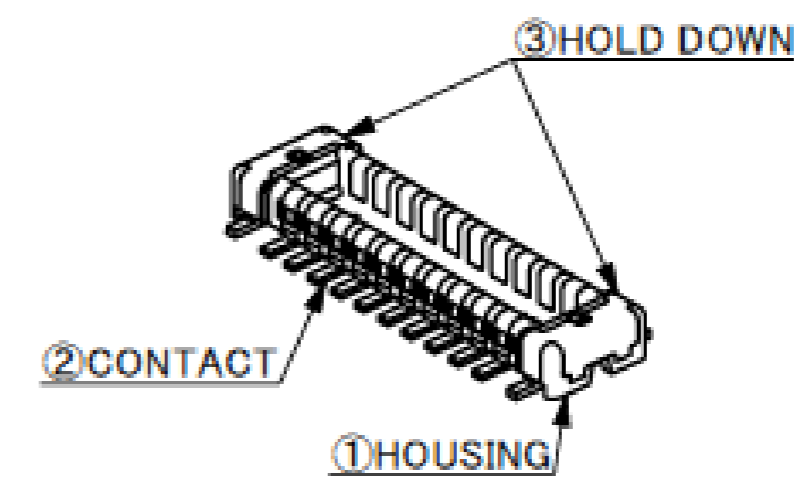
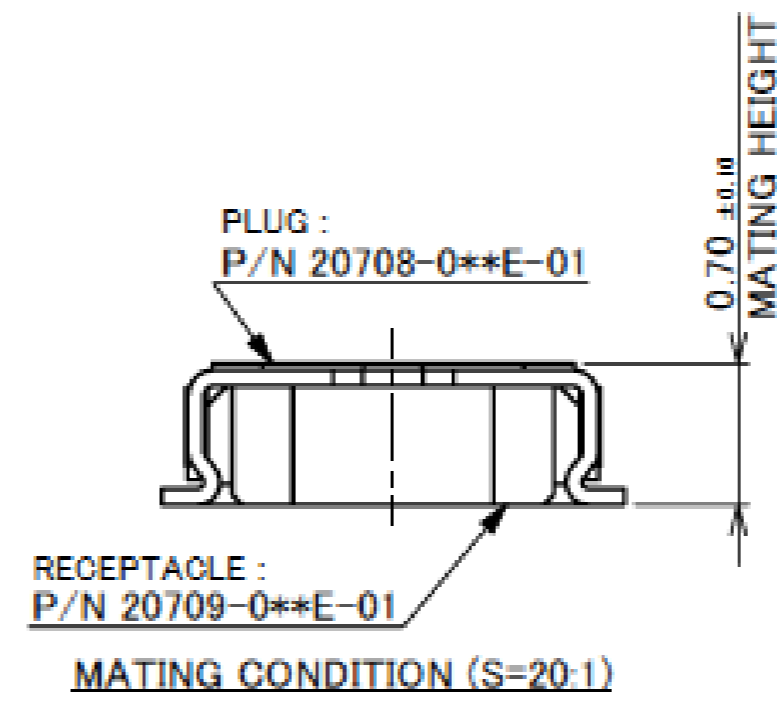
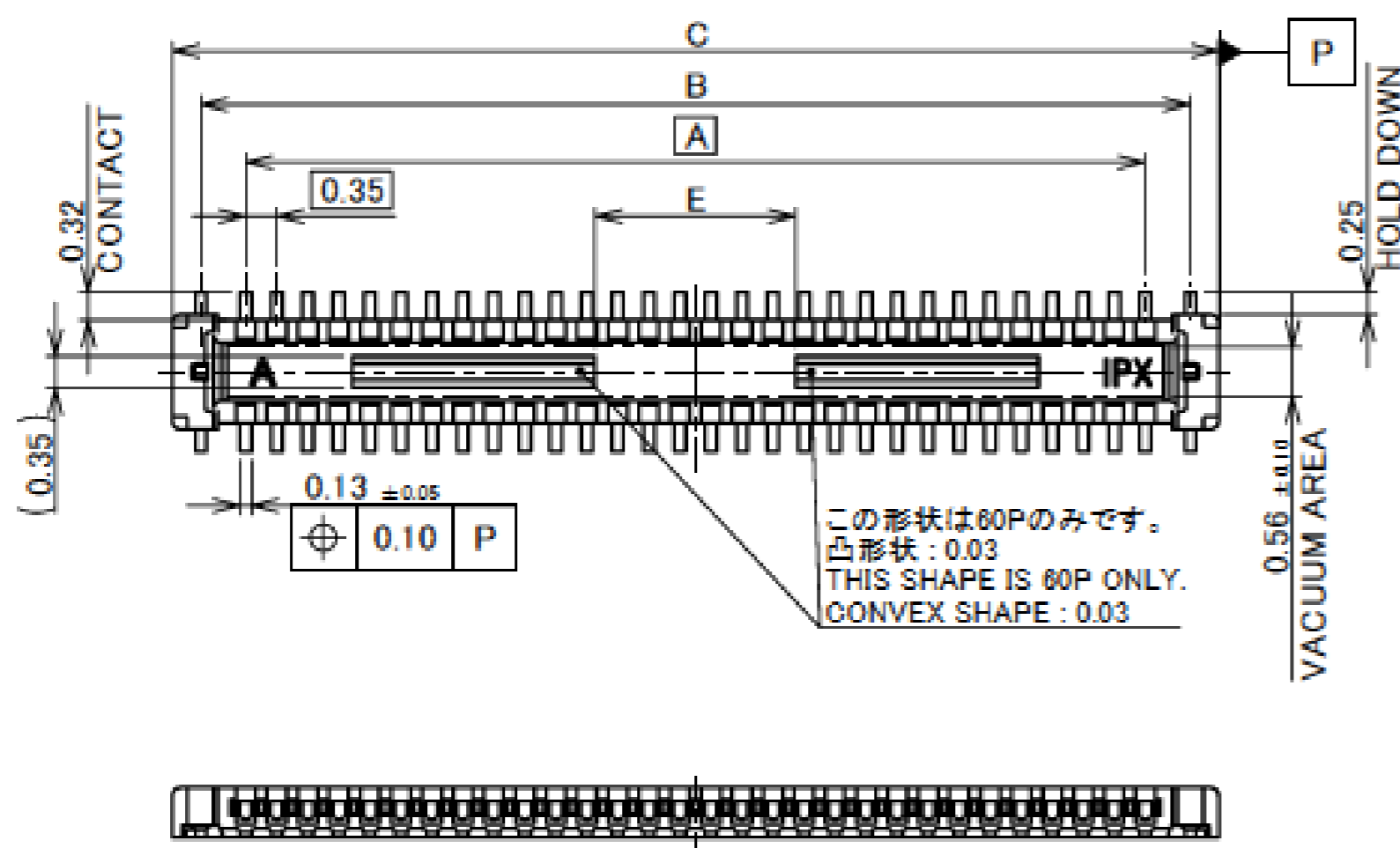
► High robustness with metal hold-down feature



Component Parts Details

Plug Assembly

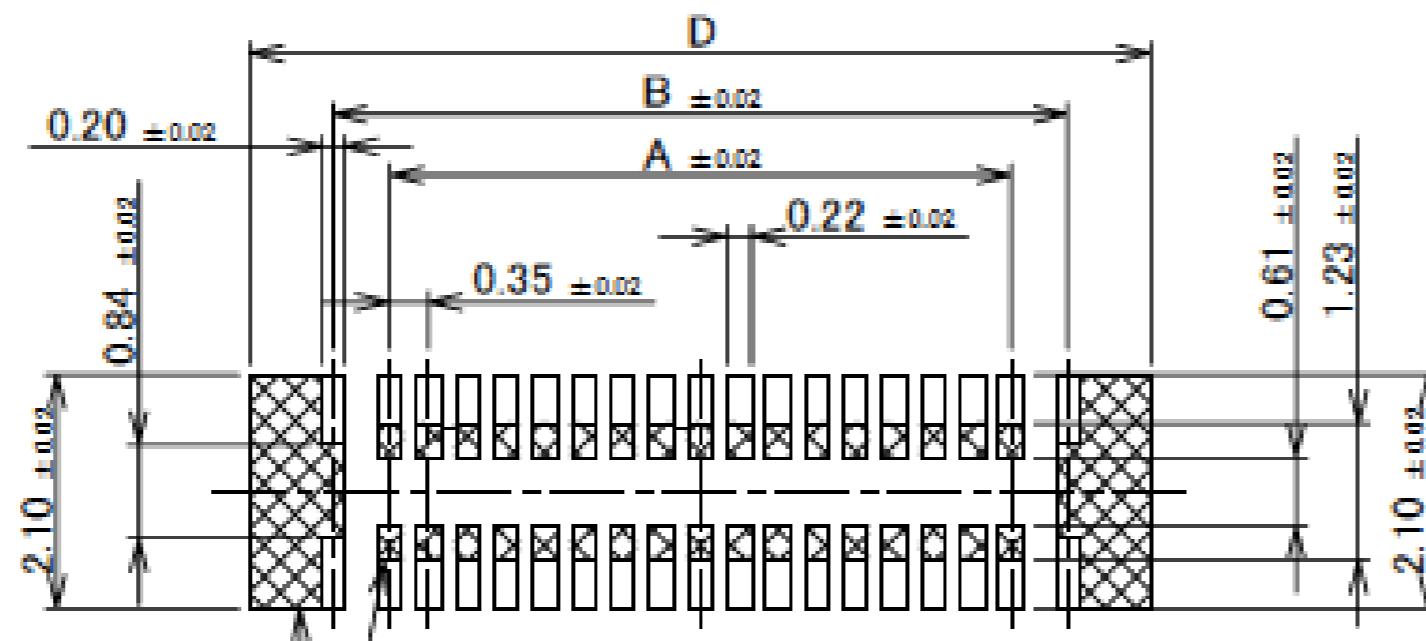
Recommended P/N		20708-0**E-01				
PART No.	Pos.	A	B	C	D	E
20708-010E-01	10	1.40	2.42	3.06	3.92	-
20708-014E-01	14	2.10	3.12	3.76	4.62	-
20708-018E-01	18	2.80	3.82	4.46	5.32	-
20708-020E-01	20	3.15	4.17	4.81	5.67	-
20708-024E-01	24	3.85	4.87	5.51	6.37	-
20708-030E-01	30	4.90	5.92	6.56	7.42	-
20708-034E-01	34	5.60	6.62	7.26	8.12	-
20708-040E-01	40	6.65	7.67	8.31	9.17	-
20708-050E-01	50	8.40	9.42	10.06	10.92	-
20708-060E-01	60	10.15	11.17	11.81	12.67	2.26



NO.	DISCRIPTION	MATERIAL	FINISH, REMARKS
3	HOLD DOWN	CORSON ALLOY	ALL OVER Ni 1.27 μm MIN. CONTACT PART Au 0.1 μm MIN. SOLDERING PART Au 0.01 μm MIN.
2	CONTACT	CORSON ALLOY	ALL OVER Ni 1.27 μm MIN. CONTACT PART Au 0.1 μm MIN. SOLDERING PART Au 0.01 μm MIN.
1	HOUSING	LCP	UL94V-0, BLACK

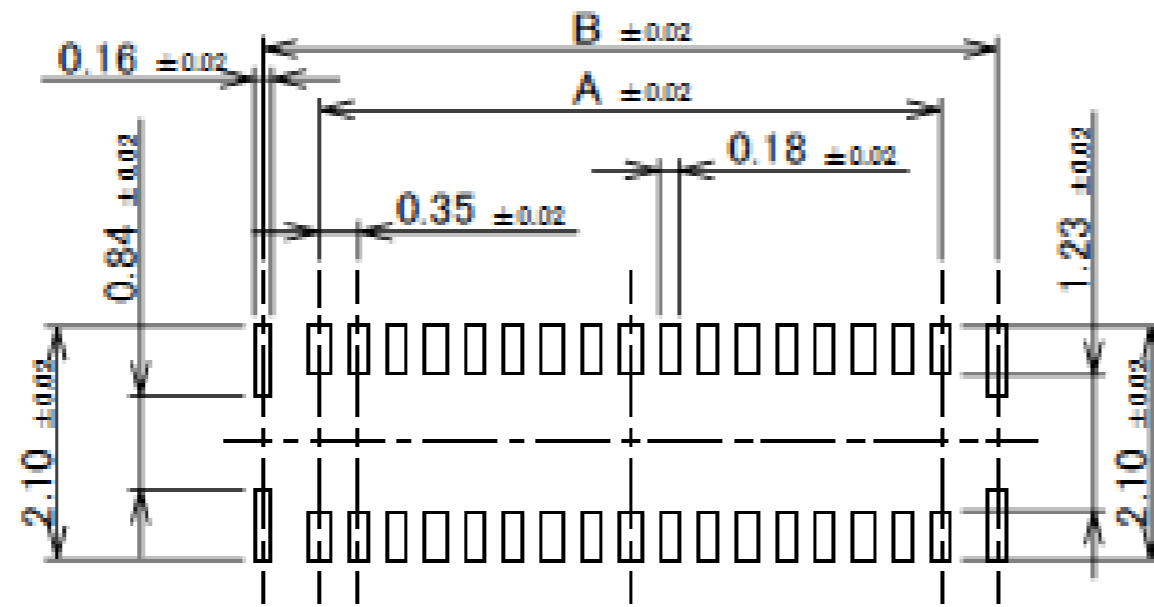
Plug Assembly

PART No.	Pos.	F
20708-010E-01	10	4.10
20708-014E-01	14	4.80
20708-018E-01	18	5.50
20708-020E-01	20	5.85
20708-024E-01	24	6.55
20708-030E-01	30	7.60
20708-034E-01	34	8.30
20708-040E-01	40	9.35
20708-050E-01	50	11.10
20708-060E-01	60	12.85



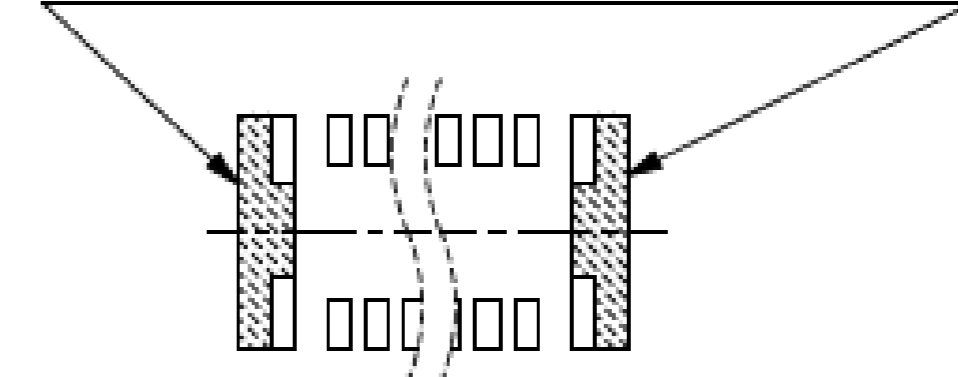
半田上がり防止の為、半田付けをしないで下さい。
 パターンを設けるときは、レジストもしくはカバーレイを設けて下さい。
 MUST BE NOT SOLDERING AREA FOR PREVENT FROM SOLDER WICKING.
 MUST BE COVER LAY OR RESIST COATING ON THE PATTERN.

RECOMMENDED PATTERN LAYOUT

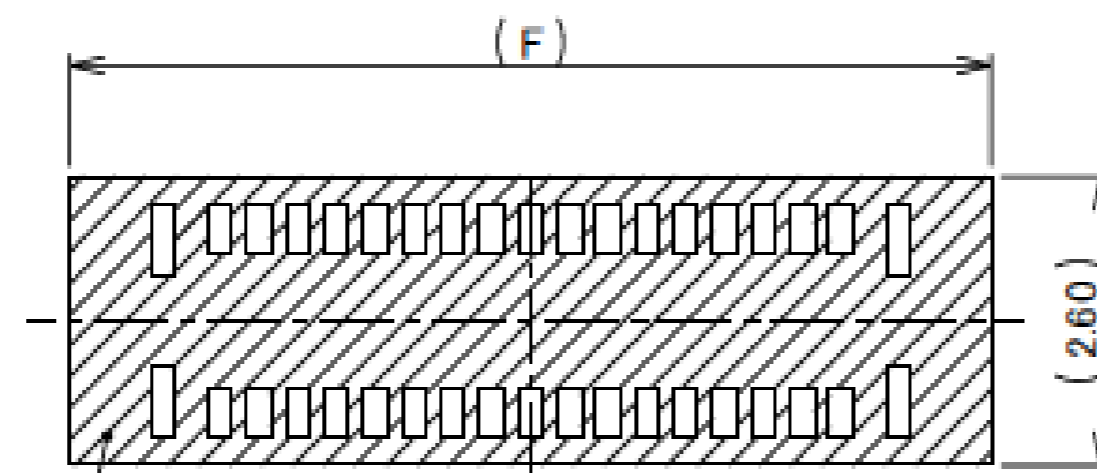


RECOMMENDED METAL MASK LAYOUT
 THICKNESS : 0.10 mm

ホールドダウンを電源用としてご使用の場合は、
 両パットを図のように繋げて下さい。
 PAD IS CONNECTED LIKE FIGURE WHEN HOLD DOWN
 IS USED FOR POWER SUPPLY.



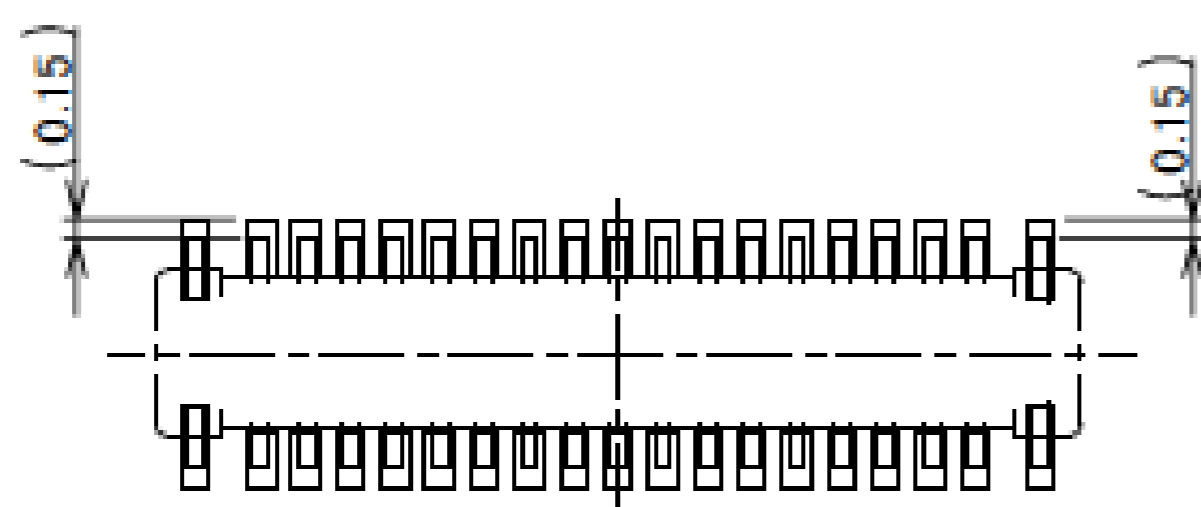
HOLD DOWN PAD LAYOUT
 USED FOR POWER SUPPLY



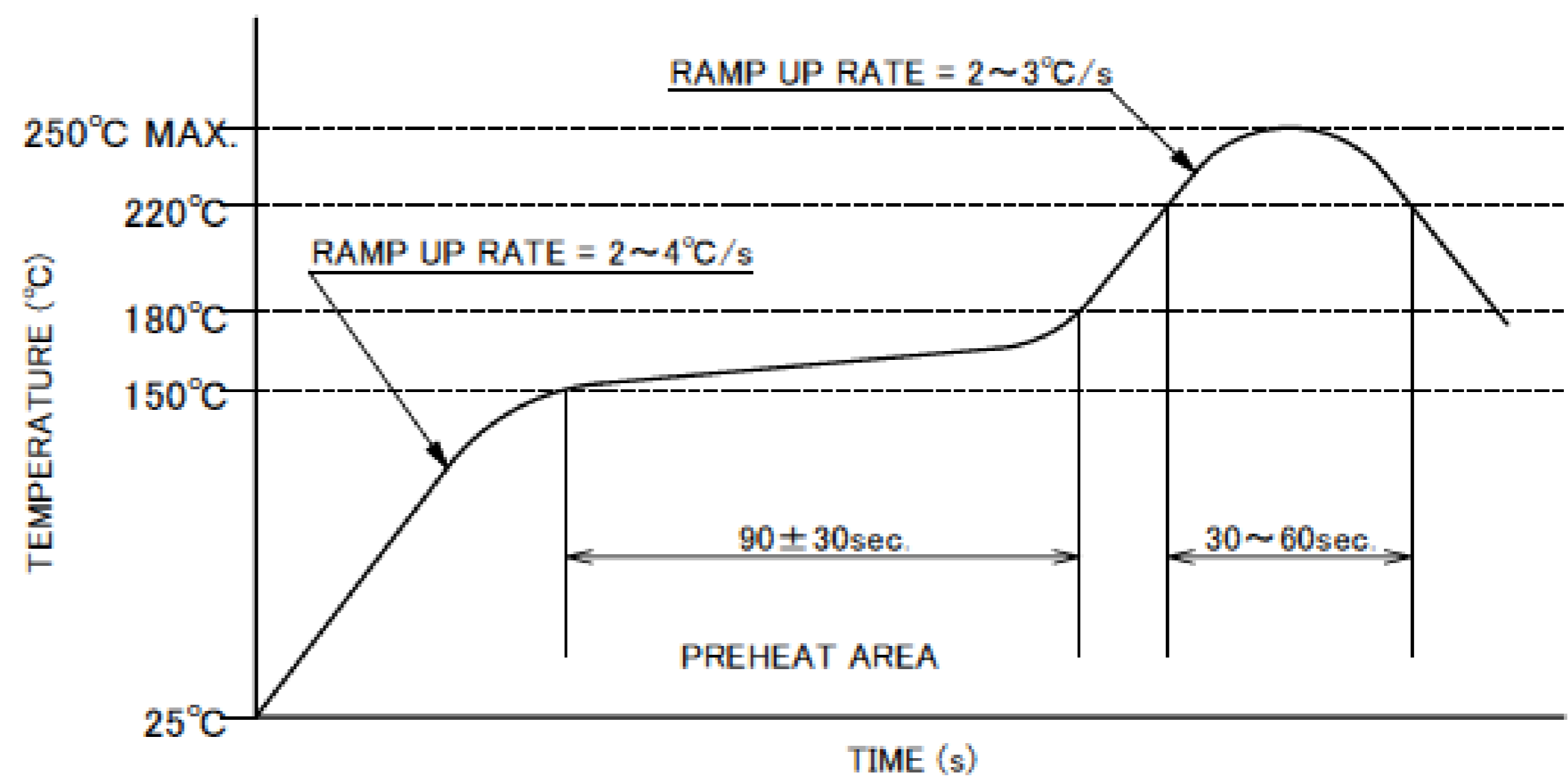
NOTE. 1

NOTES.
 1. THIS AREA CANNOT MOUNT ANOTHER COMPONENTS.

Rev.15



CONNECTOR ON RECOMMENDED FOOTPRINT PATTERN



REFLOW TEMPERATURE PROFILE
 SENJU METAL INDUSTRY CO., LTD. : M705-SHF(Sn96.5 Ag3.0 Cu0.5)

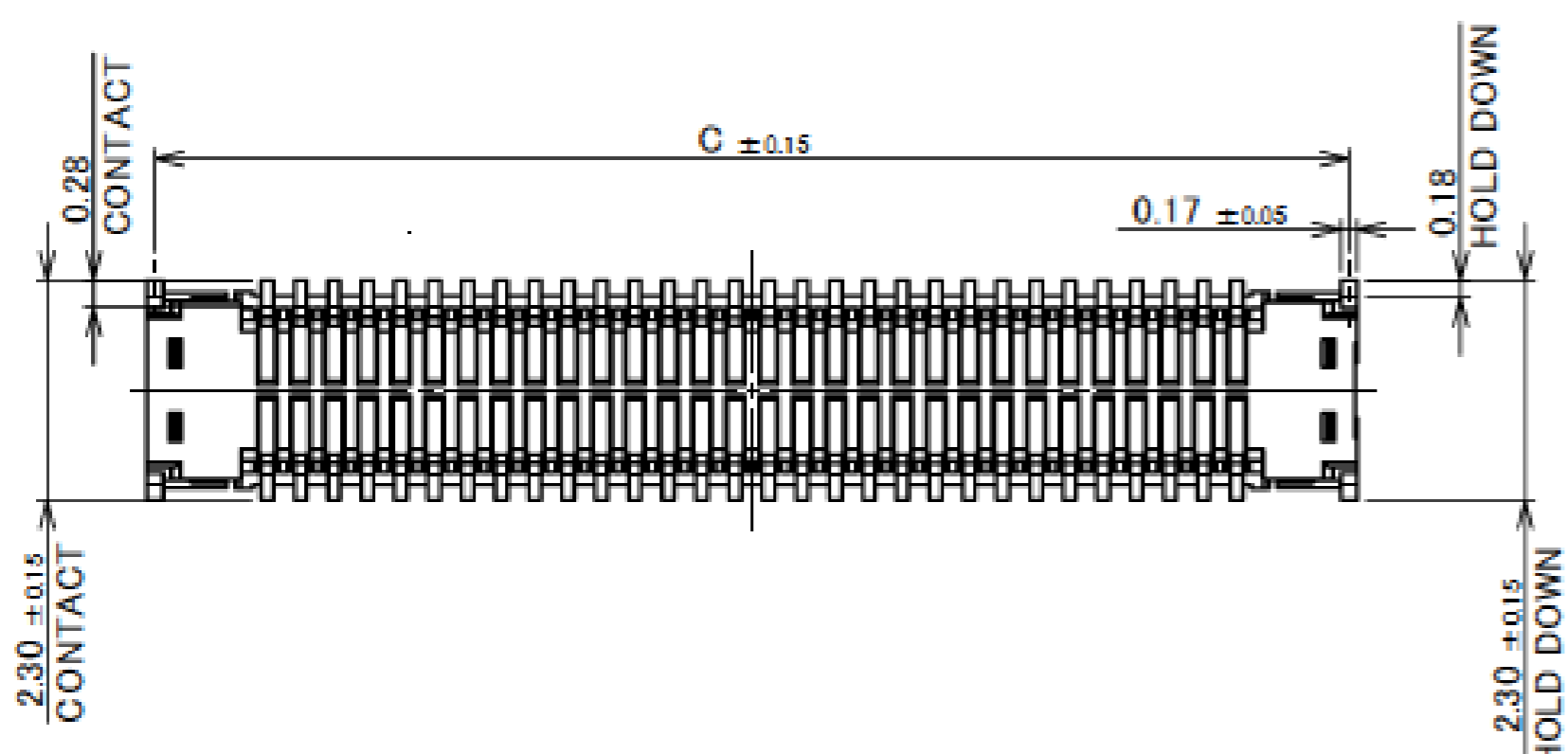
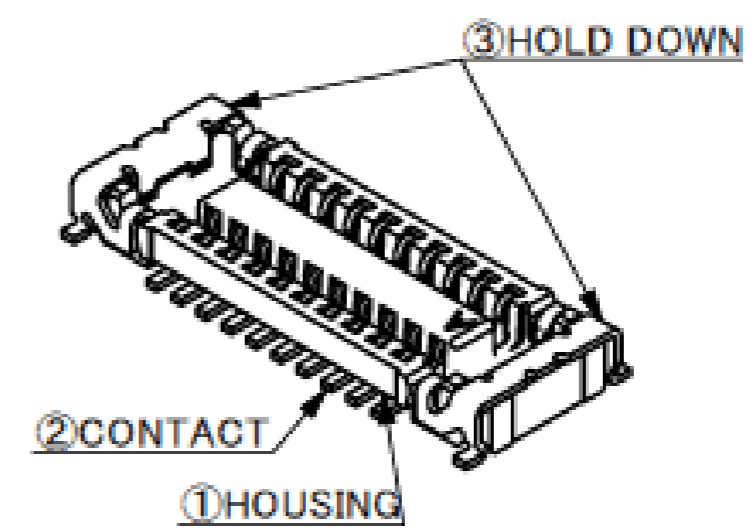
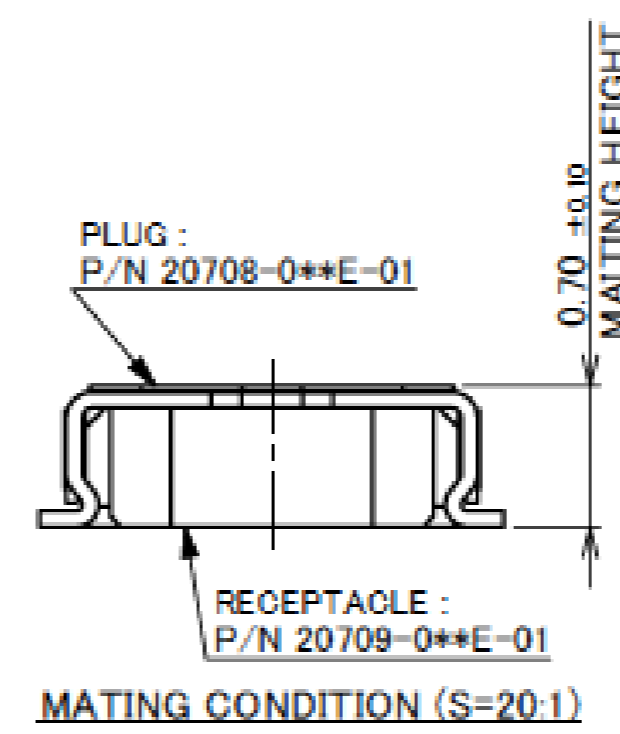
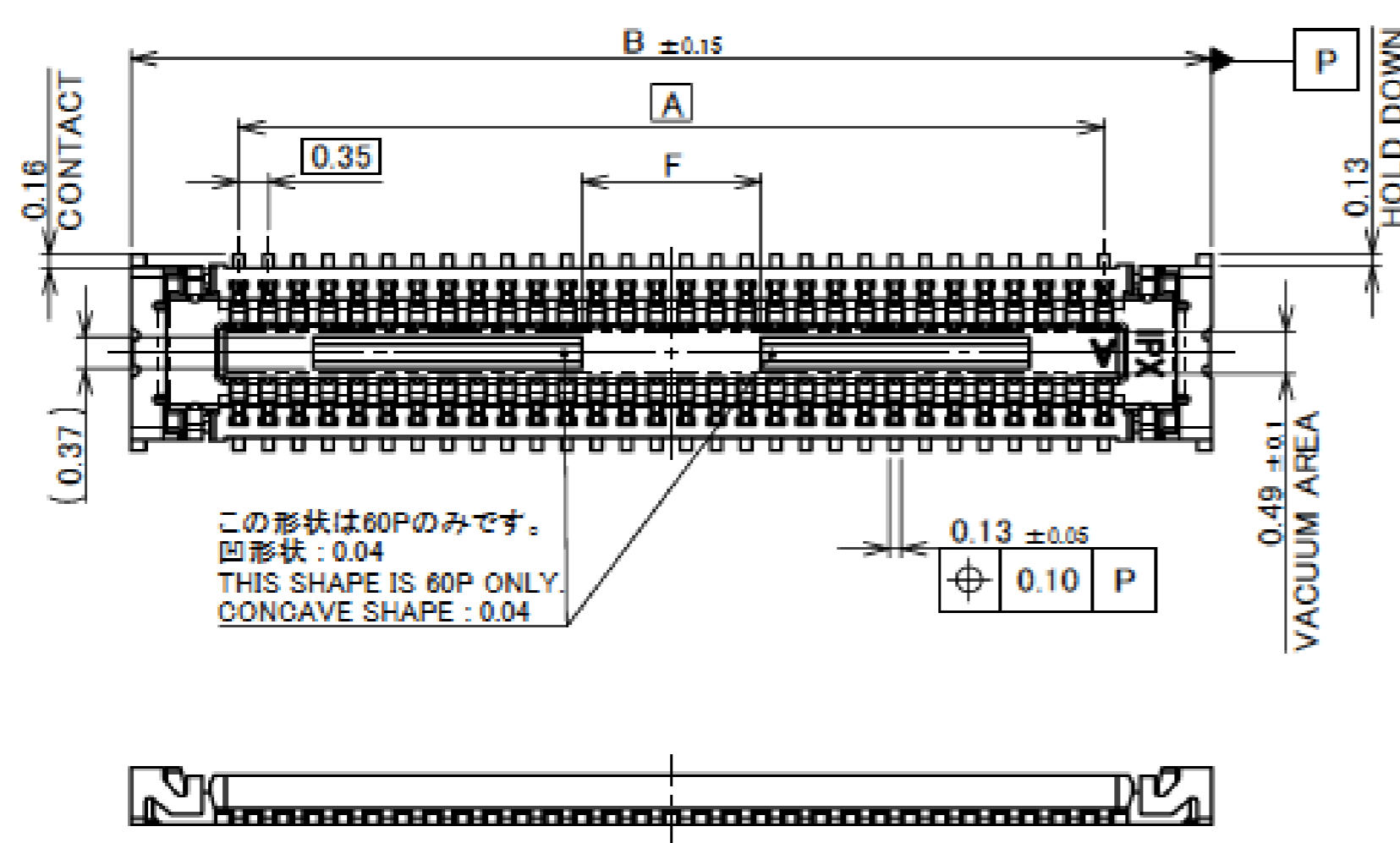
Plug Assembly

ITEMS	SPECIFICATION
APPLICABLE CONNECTOR PART No.	20709-0**E-01
RATING VOLTAGE	50V AC (r.m.s) / DC
RATING AMPERAGE (FOR SIGNAL CONTACT)	0.3A AC/DC (PER CONTACT PIN), 12.0A AC/DC(TOTAL) 1.0A AC/DC (PER CONTACT OF UP TO 8 PINS)
RATING AMPERAGE (FOR POWER CONTACT)	2.0A AC/DC (PER A CONTACT)/ 4.0A AC/DC(TOTAL)
OPERATING TEMPERATURE	233~358K(-40°C~+85°C)
OPERATING HUMIDITY	85% MAX.(NON-CONDENSING)
CONTACT RESISTANCE (FOR SIGNAL CONTACT)	INITIAL : 30mohm MAX. / AFTER TEST : \triangle 120mohm MAX.
CONTACT RESISTANCE (FOR POWER CONTACT)	INITIAL : 30mohm MAX. / AFTER TEST : \triangle 120mohm MAX.
INSULATION RESISTANCE	INITIAL : 1.000Mohm MIN. / AFTER TEST : 500Mohm MIN.
DIELECTRIC WITHSTANDING VOLTAGE	AC200V 1min
DURABILITY	20 CYCLES
MATING FORCE (INITIAL)	~28P 2.0 N/Pin MAX. 30P~ 1.0 N/Pin MAX.
UNMATING FORCE (AFTER TEST)	~28P 0.30 N/Pin MIN. 30P~ 0.15 N/Pin MIN.
COPLANARITY	0.08 MAX.
PRODUCT SPECIFICATION	PRS-2334
TEST REPORT	TR-16143
PACKING STANDARD	PST-15076
INSTRUCTION MANUAL	HIM-15014
APPEARANCE CRITERIA No.	QLS-A***

Rev.15

Receptacle Assembly

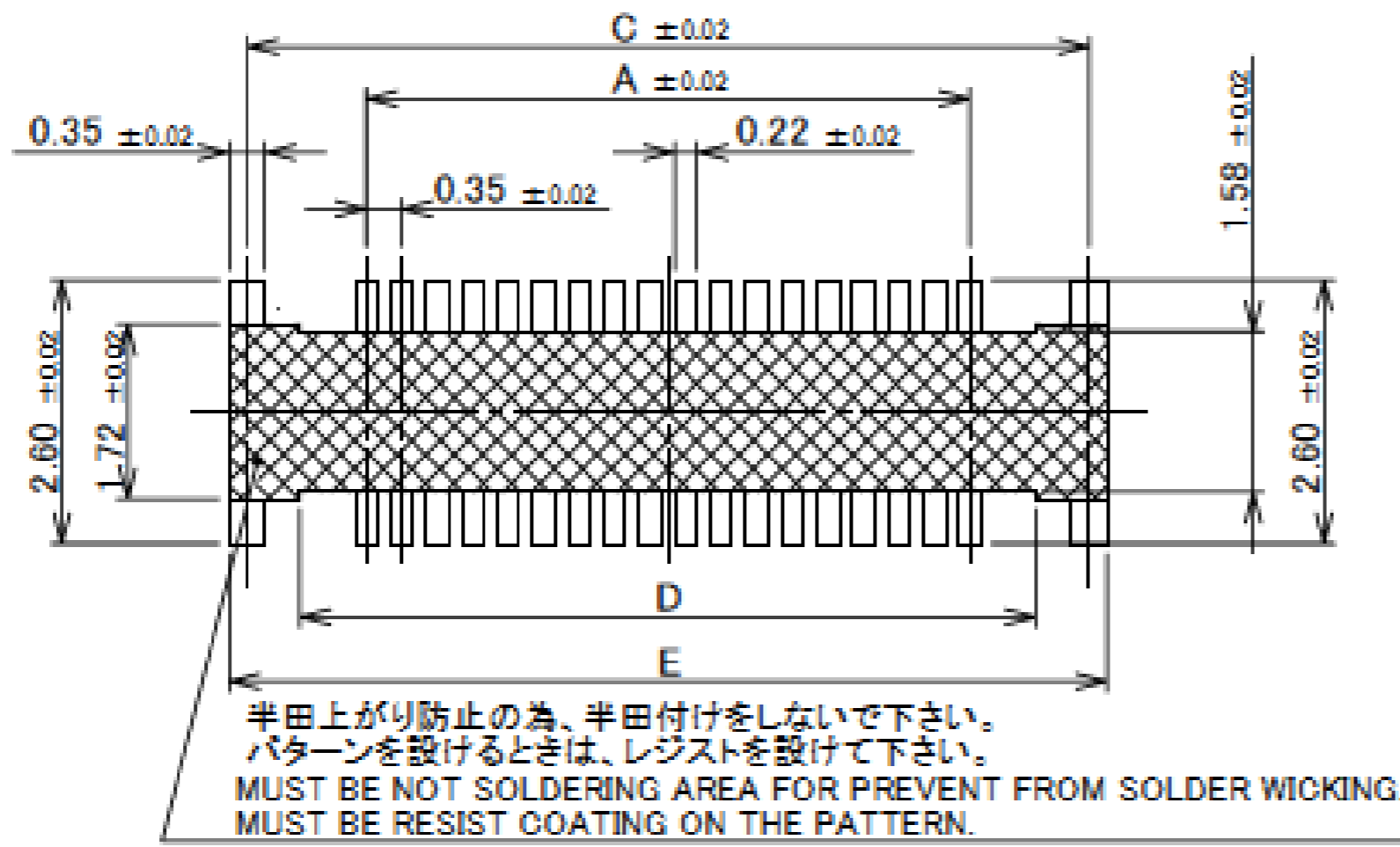
Recommended P/N	20709-0**E-01						
PART No.	Pos	A	B	C	D	E	F
20709-010E-01	10	1.40	3.92	3.75	2.70	4.10	-
20709-014E-01	14	2.10	4.62	4.45	3.40	4.80	-
20709-018E-01	18	2.80	5.32	5.15	4.10	5.50	-
20709-020E-01	20	3.15	5.67	5.50	4.45	5.85	-
20709-024E-01	24	3.85	6.37	6.20	5.15	6.55	-
20709-030E-01	30	4.90	7.42	7.25	6.20	7.60	-
20709-034E-01	34	5.60	8.12	7.95	6.90	8.30	-
20709-040E-01	40	6.65	9.17	9.00	7.95	9.35	-
20709-050E-01	50	8.40	10.92	10.75	9.70	11.10	-
20709-060E-01	60	10.15	12.67	12.50	11.45	12.85	2.10



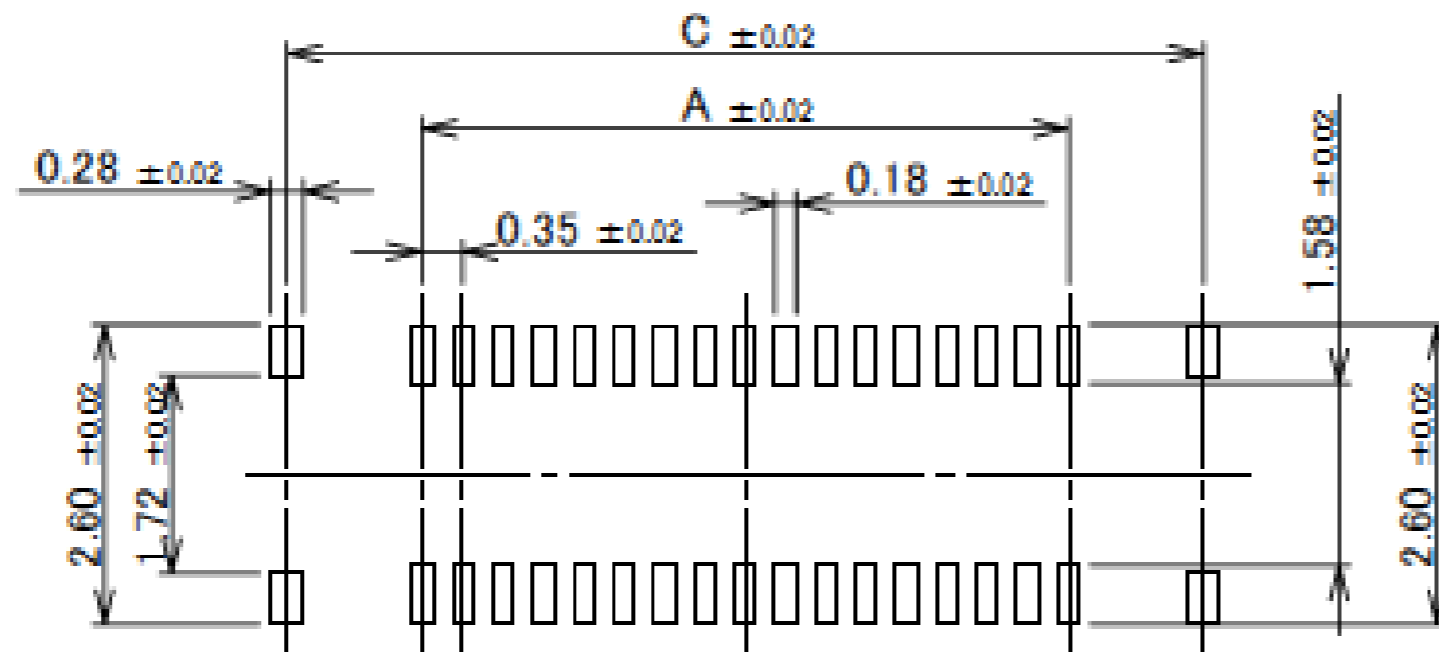
NO.	DISCRIPTION	MATERIAL	FINISH , REMARKS
3	HOLD DOWN	CORSON ALLOY	ALL OVER Ni 1.27 μ m MIN. CONTACT PART Au 0.1 μ m MIN./ SOLDERING PART Au 0.01 μ m MIN.
2	CONTACT	CORSON ALLOY	ALL OVER Ni 1.27 μ m MIN. CONTACT PART Au 0.1 μ m MIN./ SOLDERING PART Au 0.01 μ m MIN.
1	HOUSING	LCP	UL94V-0, BEIGE

Rev.16

Receptacle Assembly

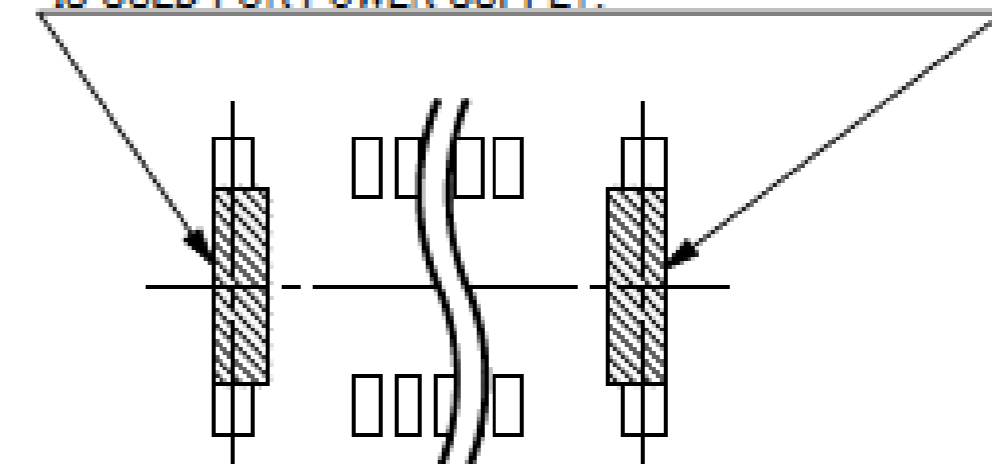


RECOMMENDED PATTERN LAYOUT

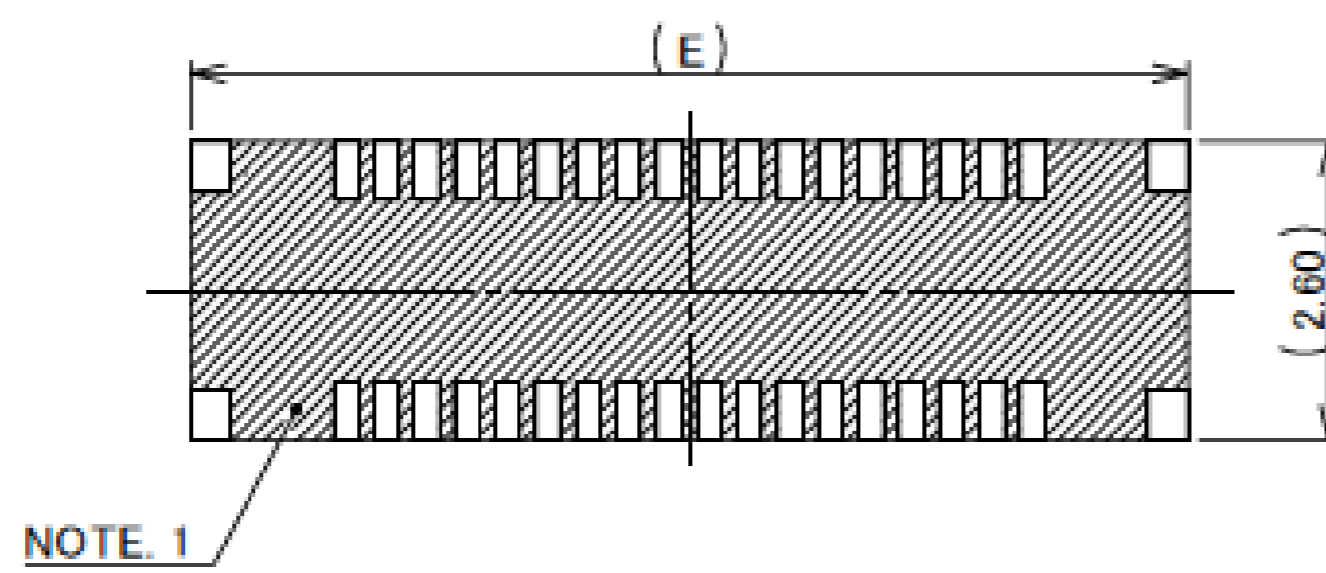


RECOMMENDED METAL MASK LAYOUT
THICKNESS - 0.10 mm

ホールドダウンを電源用としてご使用の場合は、
両パットを図のように繋げて下さい。
PAD IS CONNECTED LIKE FIGURE WHEN HOLD DOWN
IS USED FOR POWER SUPPLY.

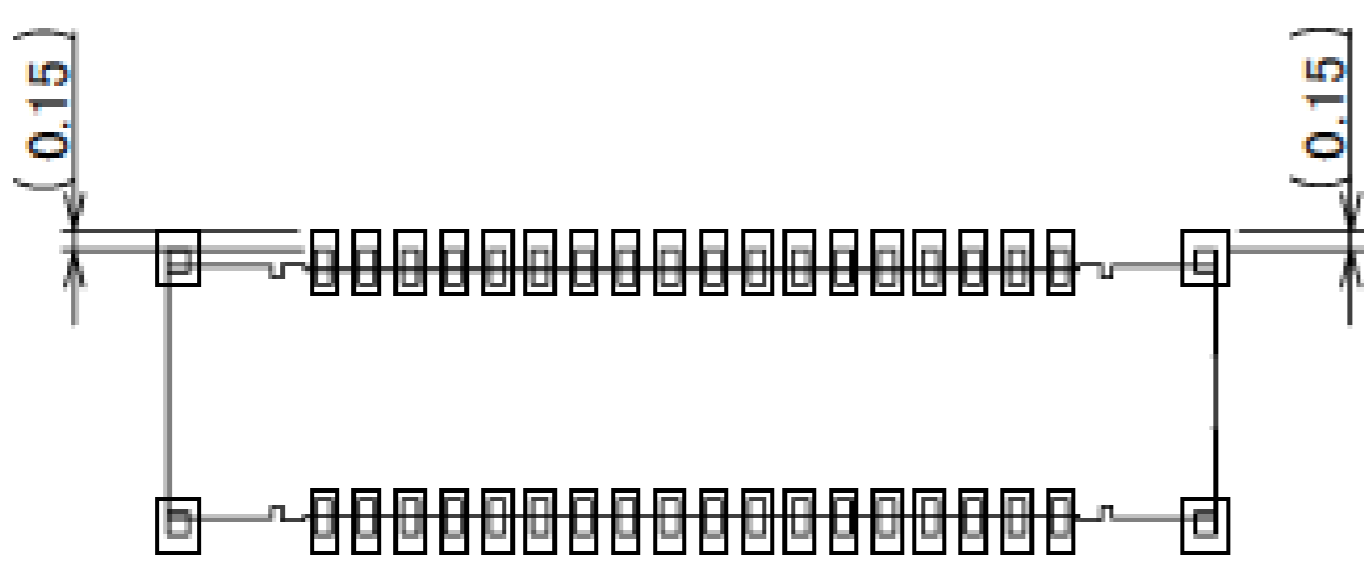


HOLD DOWN PAD LAYOUT
USED FOR POWER SUPPLY

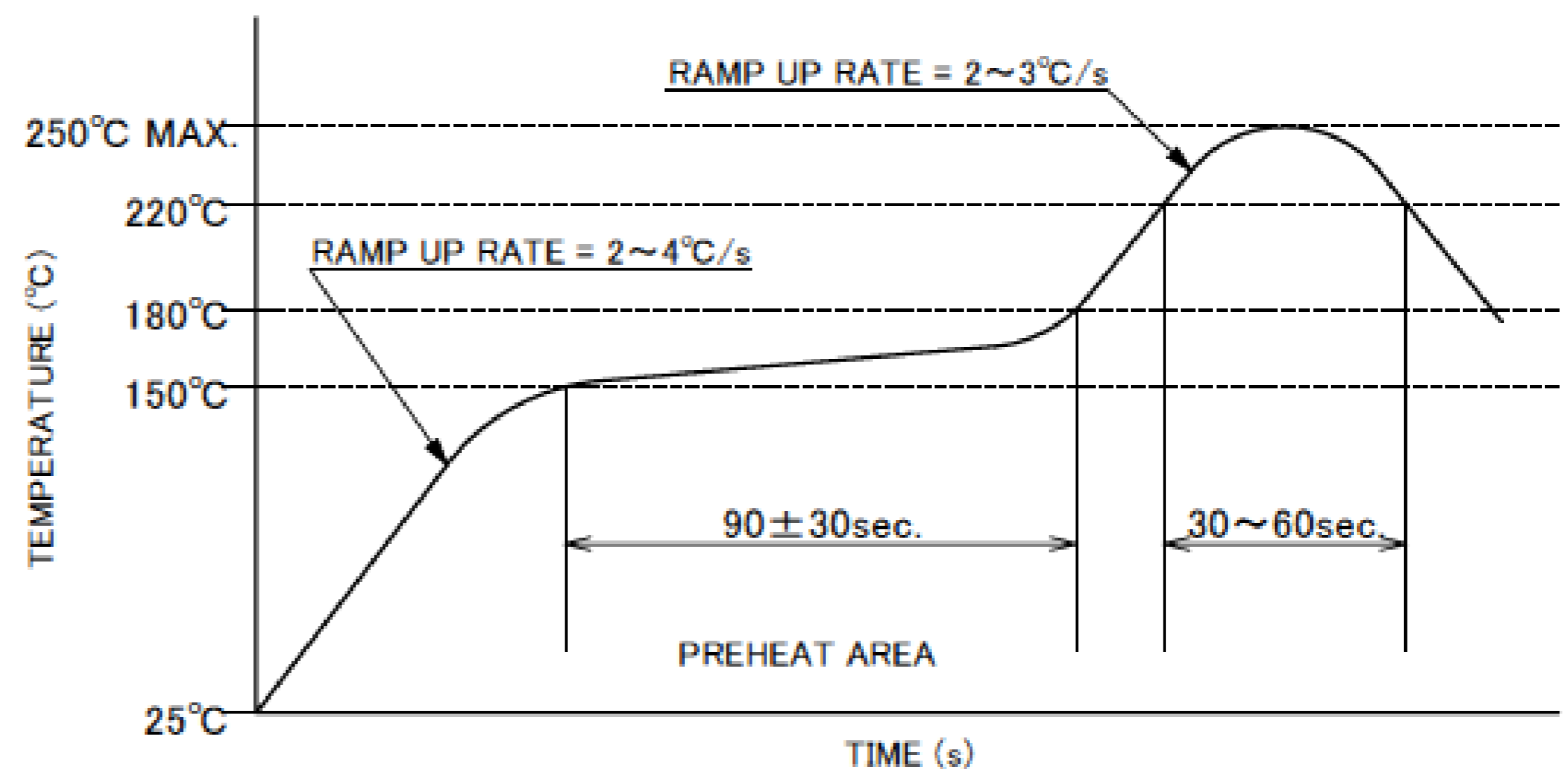


NOTES.
1. THIS AREA CANNOT MOUNT ANOTHER COMPONENTS.

Rev.16



CONNECTOR ON RECOMMENDED FOOTPRINT PATTERN



REFLOW TEMPERATURE PROFILE
SENJU METAL INDUSTRY CO., LTD. : M705-SHF(Sn96.5 Ag3.0 Cu0.5)

Receptacle Assembly

ITEMS	SPECIFICATION
APPLICABLE CONNECTOR PART No.	20708-0**E-01
RATING VOLTAGE	50V AC (r.m.s) / DC
RATING AMPERAGE (FOR SIGNAL CONTACT)	0.3A AC/DC (PER CONTACT PIN), 12.0A AC/DC(TOTAL) 1.0A AC/DC (PER CONTACT OF UP TO 8 PINS)
RATING AMPERAGE (FOR POWER CONTACT)	2.0A AC/DC (PER CONTACT PIN), 4.0A AC/DC(TOTAL)
OPERATING TEMPERATURE	233~358K(-40°C~+85°C)
OPERATING HUMIDITY	85% MAX.(NON-CONDENSING)
CONTACT RESISTANCE (FOR SIGNAL CONTACT)	INITIAL : 30mohm MAX. / AFTER TEST : \leq 20mohm MAX.
CONTACT RESISTANCE (FOR POWER CONTACT)	INITIAL : 30mohm MAX. / AFTER TEST : \leq 20mohm MAX.
INSULATION RESISTANCE	INITIAL : 1.000Mohm MIN. / AFTER TEST : 500Mohm MIN.
DIELECTRIC WITHSTANDING VOLTAGE	AC200V 1min
DURABILITY	20 CYCLES
MATING FORCE (INITIAL)	~28P 2.0 N/Pin MAX. 30P~ 1.0 N/Pin MAX.
UNMATING FORCE (AFTER TEST)	~28P 0.30 N/Pin MIN. 30P~ 0.15 N/Pin MIN.
COPLANARITY	0.08 MAX.
PRODUCT SPECIFICATION	PRS-2334
TEST REPORT	TR-16143
PACKING STANDARD	PST-15077
INSTRUCTION MANUAL	HIM-15014
APPEARANCE CRITERIA No.	QLS-A***

Rev.16

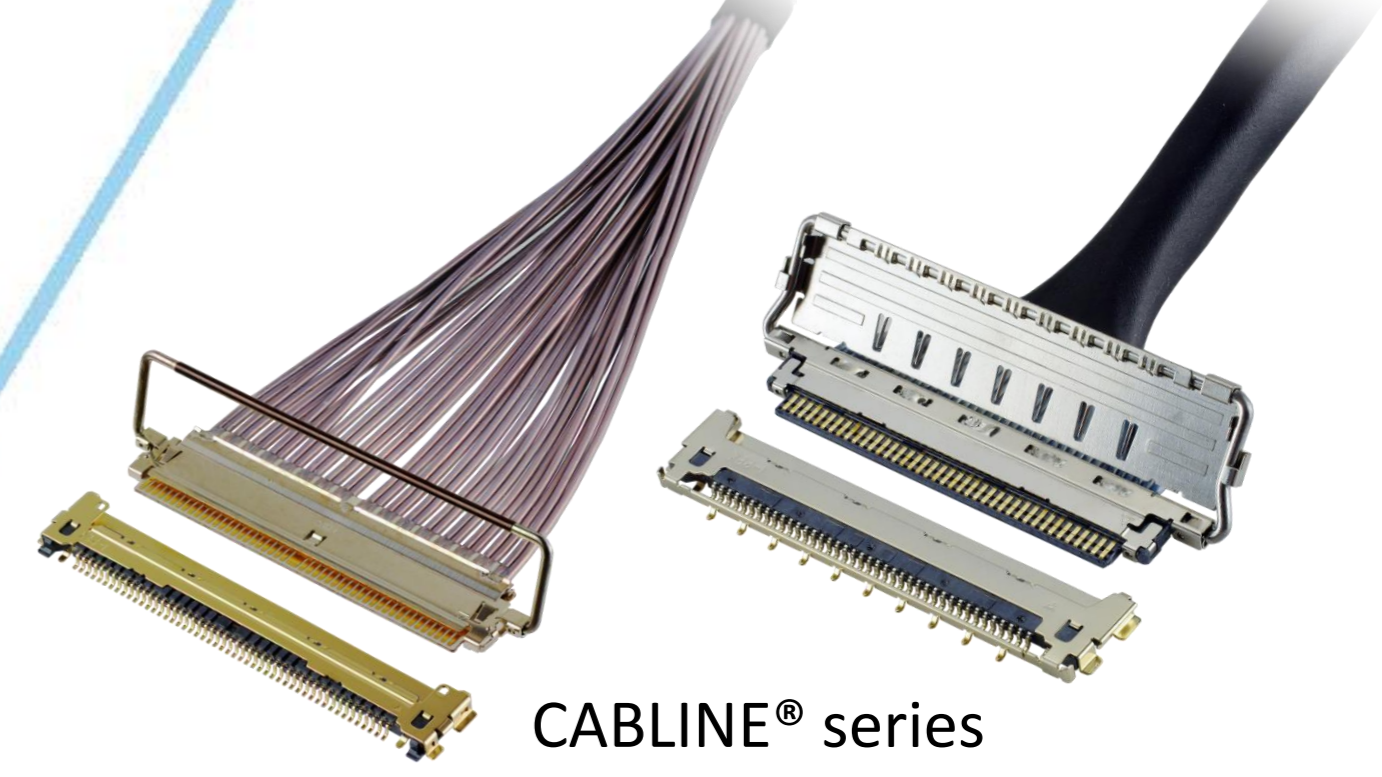
Custom Products Available

RF Connector

MHF® series



Micro-coaxial/Twinax/Discrete Wire Connector



CABLINE® series

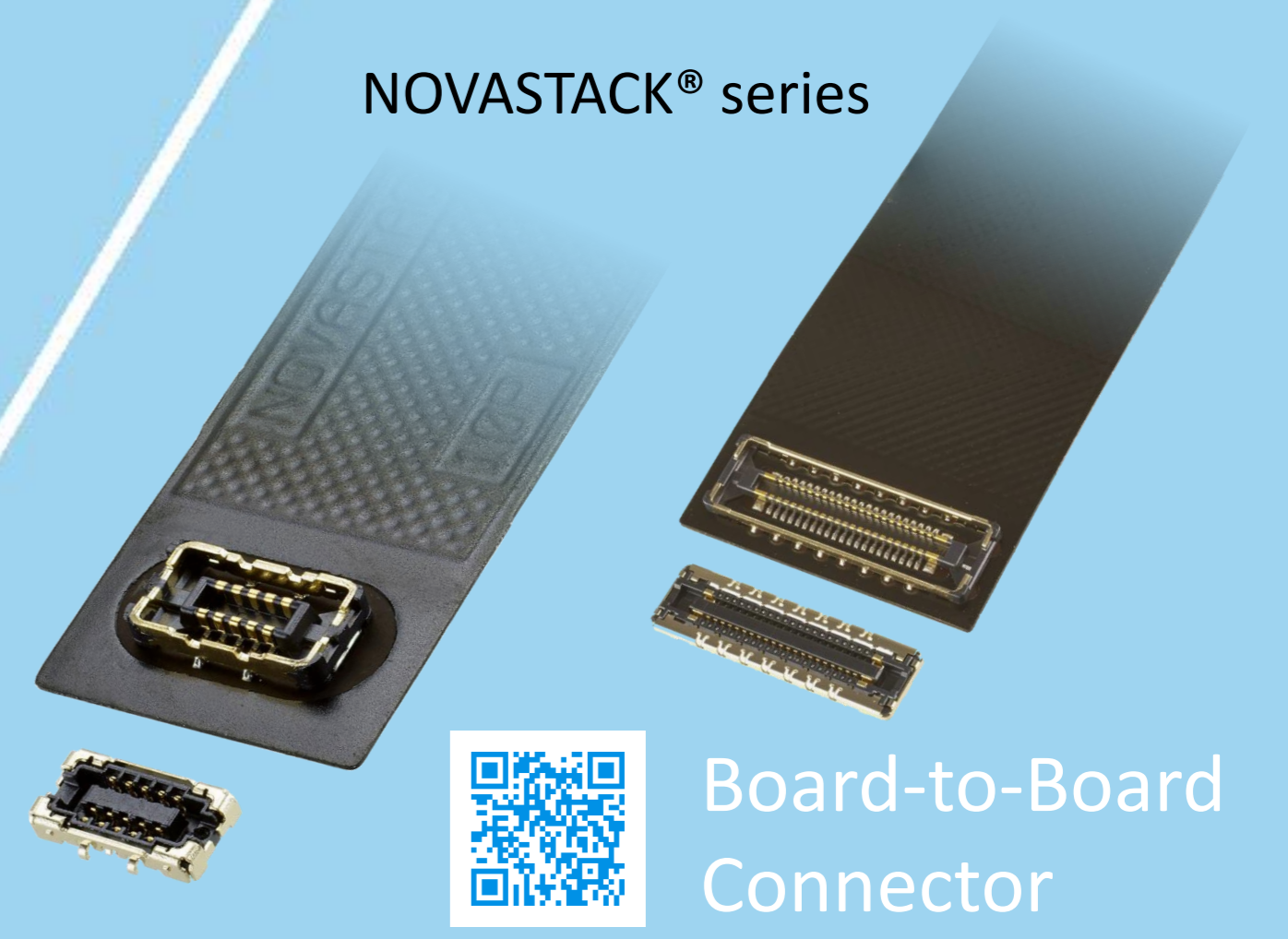


Optical Module

LIGHTPASS® series



NOVASTACK® series



Board-to-Board Connector



Power Connector/Terminal

AP series

ISH® series



MINIFLEX® series

EVAFLEX® series



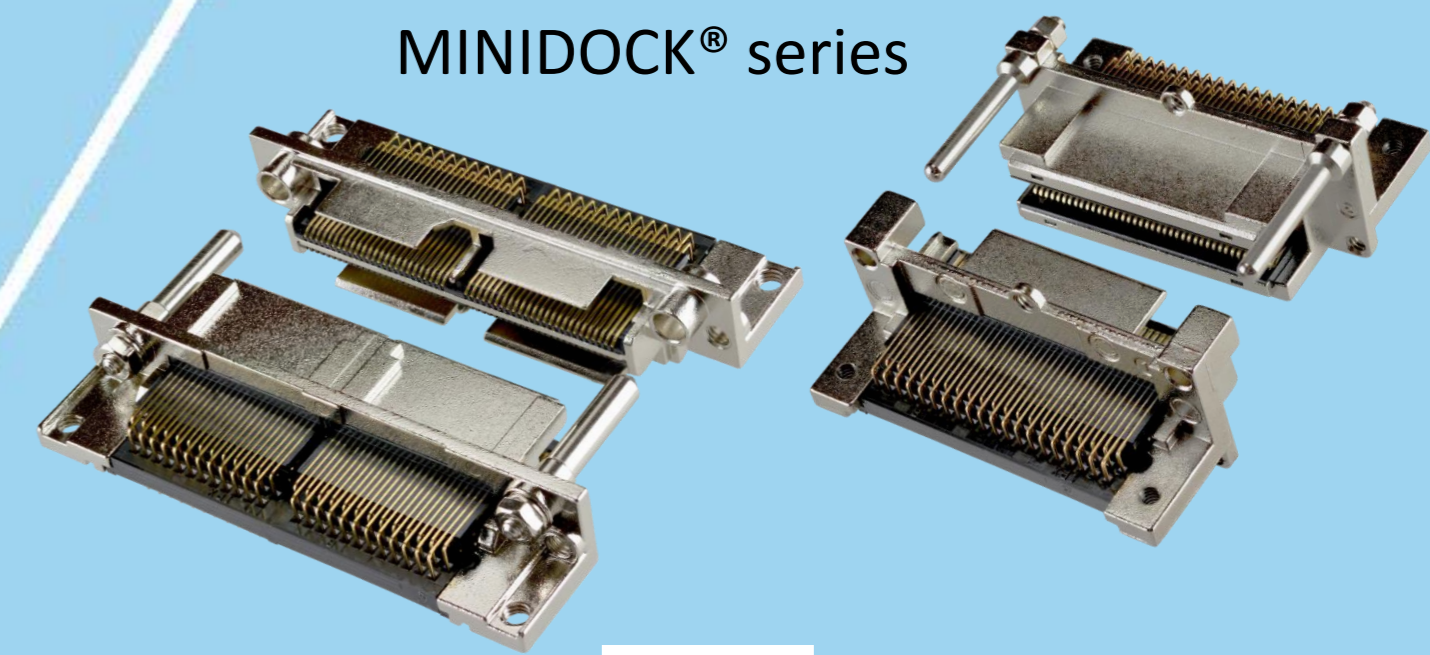
FPC FFC Connector



Inquiry



MINIDOCK® series



I/O Connector

I-PEX, MHF, CABLINE, LIGHTPASS, NOVASTACK, ISH, IARPB, MINIFLEX, EVAFLEX, MINIDOCKS and ZenShield are registered trademarks of I-PEX Inc. Please note that the contents in the catalog might be changed without prior notification. I-PEX Inc. assumes no responsibility for any inaccuracies or obligation to update information on these documents. Please be sure to read and understand the latest "Precautions for Use" and "Instruction Manual" before you use our products. We shall not be responsible for any defects, damages or troubles in case you use our products without following the precautions for use. Please feel free to contact our sales representatives when you use our products for any applications that require very high reliability and safety, or that relate to human life (ex. nuclear power control, aerospace, transportation, medical equipment, safety equipment etc.).

Contact your sales representative or more detailed information.

www.i-pex.com



I-PEX

© I-PEX Inc. 2024
All rights reserved